

Photo MH-1

Magnatrac MH8500

Overview - No Attachment View

This section of your Magnatrac MH8500 *Operator/Technical Manual* is designed to help you quickly locate parts and assemblies you will need to identify to properly maintain and service your Magnatrac. The following pages represent the majority of the basic parts and assemblies that make up a MAGNATRAC MH8500. The photos are used to familiarize yourself with the MAGNATRAC. The pages that follow will offer more detail with larger photos and specific parts identification.

Areas and Views of the MH8500

Overview: MH-1 to MH-3
Console: MH-4
Seat: MH-5
Parking Brake: MH-6 to MH-7
Throttle Linkage: MH-8 to MH-9
Engine: MH-10 to MH-15
Electrical: MH-16 to MH-17
Fuel & PFC: MH-18
Hydraulics: MH-19 to MH-25
Drive: MH-26 to MH-33
Tracks: MH-34 to MH-41

Parts Identified

000229L Left Foot Guard
001364 Hood Latch (2)
004048 Left Side Panel
004223L Fender, left
004260 Parking/Emergency Brake
004323 Grill Insert, black (top)
004324 Grill Assembly
004327 Hood
004347 Headlight, LED (2) (Square Style)
004369 Exhaust Extension
004372-13 Exhaust Flapper
004390 Grill Insert, black (bottom)



Photo MH-2

Magnatrac MH8500

Overview - Left Side View

“Section 7 - SERVICE” (of this Manual) refers to the maintenance and service procedures required to properly take care of your MAGNATRAC.

This Manual and our phone technical support team are available to help you through any specific questions or problems you may have in the operation and maintenance of your MAGNATRAC MH8500.

A “grid” of *letters* and *numbers* surround each Part Photo page. By locating an area of your MAGNATRAC, say “**B-7**” in the photo at the right, your service technician will know you have a question about the “**Left Front Track Idler Sprocket**”. This simple quick parts identification technique will eliminate frustration and get your problem solved ASAP.

Areas and Views of the MH8500

Overview:	MH-1 to MH-3
Console:	MH-4
Seat:	MH-5
Parking Brake:	MH-6 to MH-7
Throttle Linkage:	MH-8 to MH-9
Engine:	MH-10 to MH-15
Electrical:	MH-16 to MH-17
Fuel & PFC:	MH-18
Hydraulics:	MH-19 to MH-25
Drive:	MH-26 to MH-33
Tracks:	MH-34 to MH-41

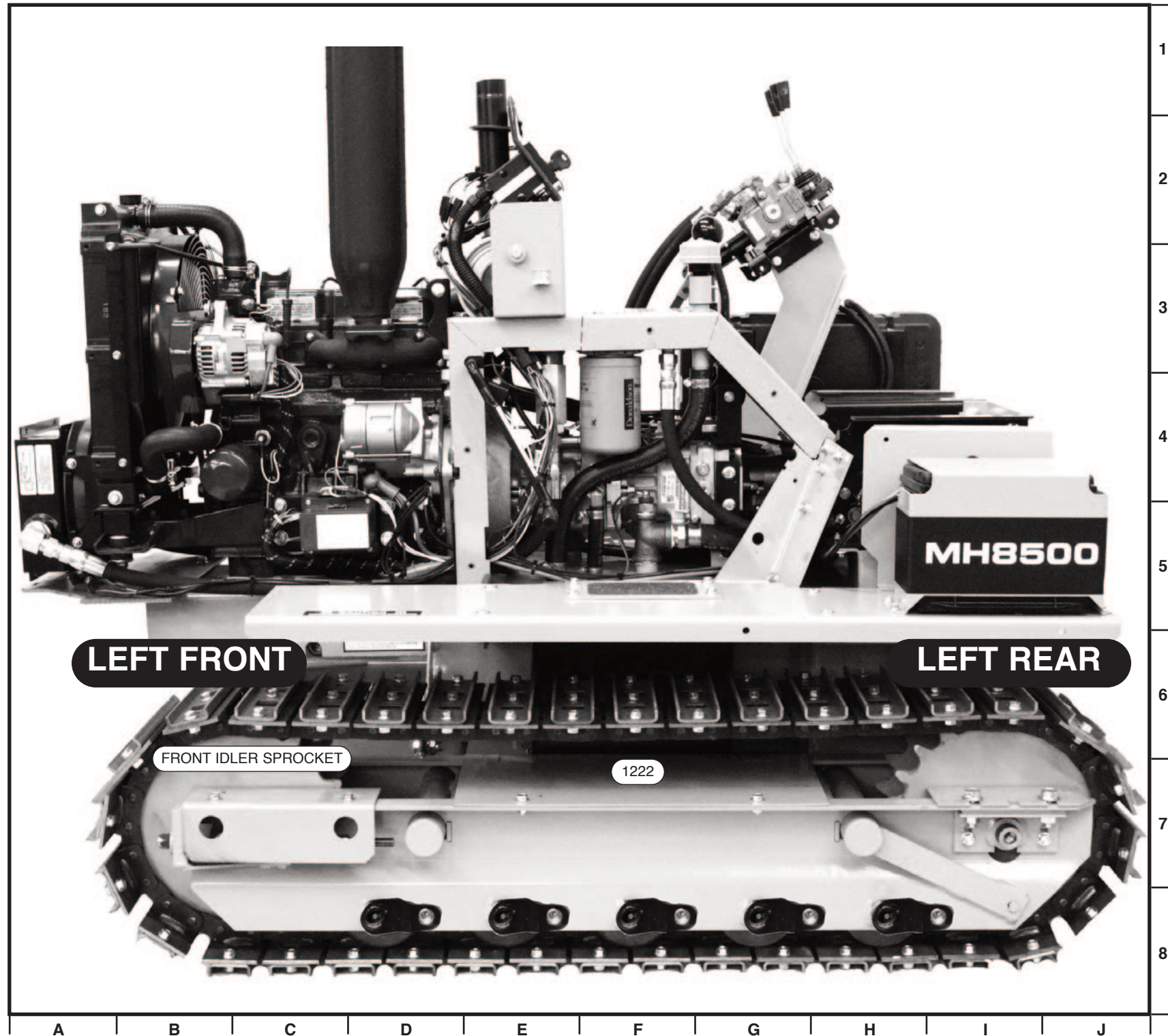


Photo MH-3

Magnatrac MH8500

Overview - Right Side View

Table of Contents

Areas and Views of the MH8500

Overview:	MH-1 to MH-3
Console:	MH-4
Seat:	MH-5
Parking Brake:	MH-6 to MH-7
Throttle Linkage:	MH-8 to MH-9
Engine:	MH-10 to MH-15
Electrical:	MH-16 to MH-17
Fuel & PFC:	MH-18
Hydraulics:	MH-19 to MH-25
Drive:	MH-26 to MH-33
Tracks:	MH-34 to MH-40

Parts Identified

001222 Track Idler Cover

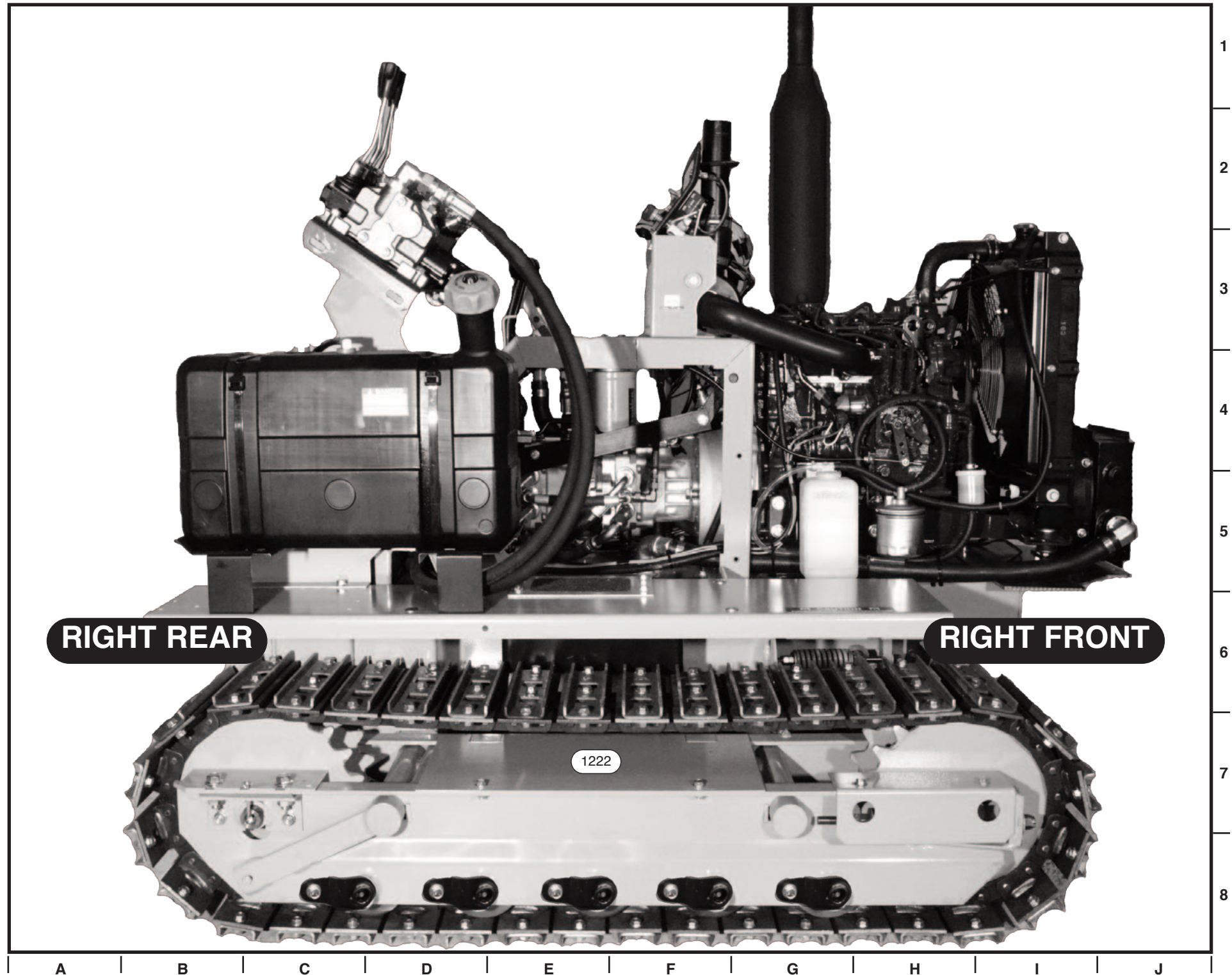


Photo MH-4 Magnatrac MH8500 Console - Center View

Parts Identified

000050	Foot/Handle Grip
000247	Vertical Brake Pull Rod
000447	Headlight Switch
000616	Hyd. Breather / Fill Cap
000904	Foor Pad (4)
001364	Hood Latch (4)
004022	Handle, brake lock
004025	Seat Pan (No Rops)
004039	Treadle
004217	Track Drive Handle (2)
004218	Dash (Lower)
004220	Hood
004226	Seat Plate, lower
004231	Hyd. Oil Gauge
004233L	Left Fender
004233R	Right Fender
004248	Throttle Handle
004260	Pedal, brake
004326	Dash (Upper)
004327	Hood
004330	Handle Ball (2)
004347	Headlight, LED (2)
004366	Wire, yellow
004368	Wire, yellow
004372-6	Ignition Key
004372-14	Industrial Ignition
004372-15	RPM Gauge
004376	Tank, fuel
004436	Attachment Valve
004439	Indicator Light - PFC™
004446	Valve Cover
004447	Valve Decal Mount
004440	PFC™ Valve & Dial Control (Priority Flow Control)

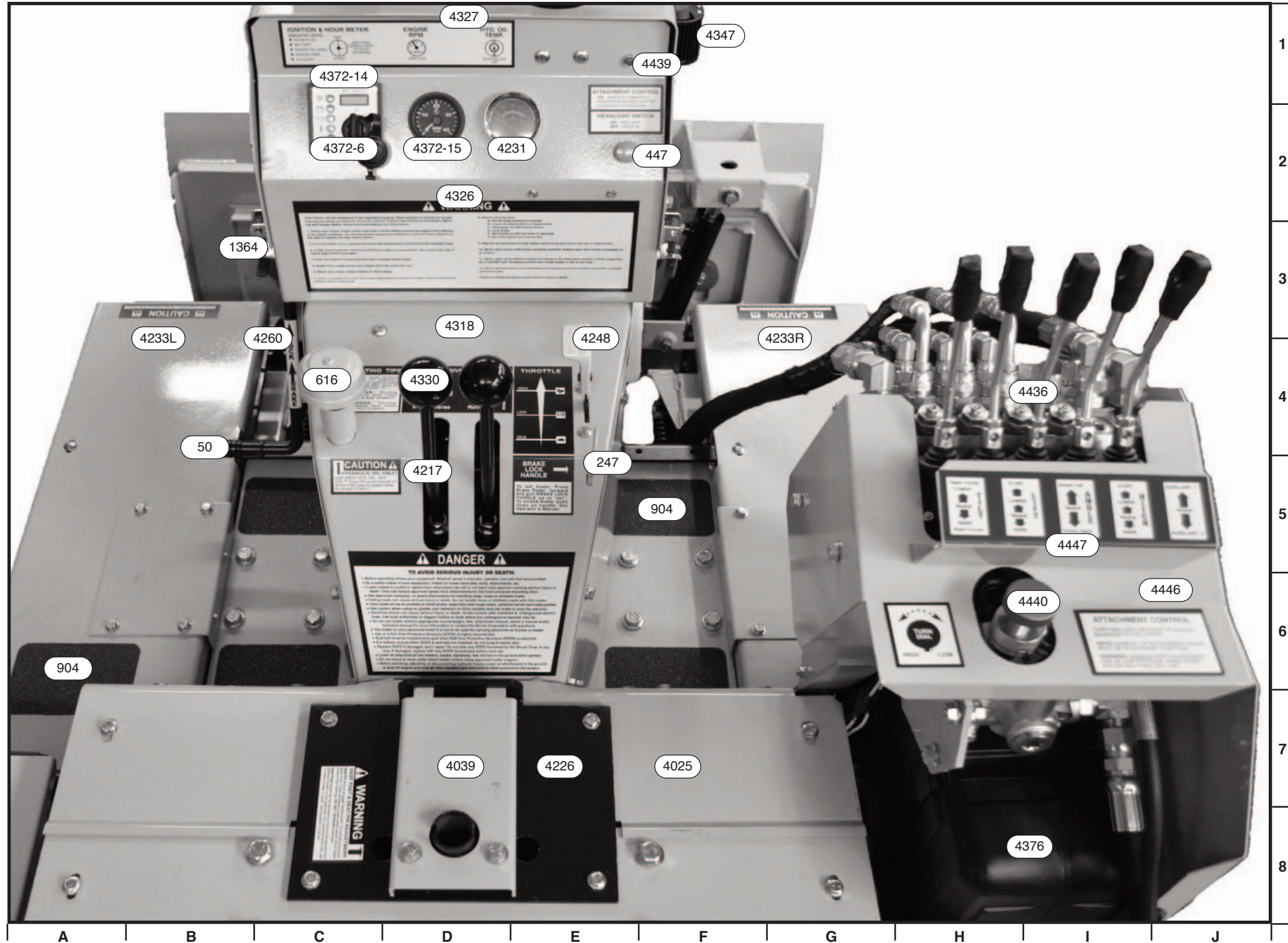


Photo MH-5

Magnatrac MH8500

Seat - Left Rear View

Parts Identified

- 000441 Interlock Switch
- 000504 Seat Pin
- 000506 Spring (2)
- 004025 Seat Pan (No Rops)
- 004039 Treadle
- 004266 Seat Mount, lower
- 004329 Seat Mount, upper
- 004377 Seat with Glides

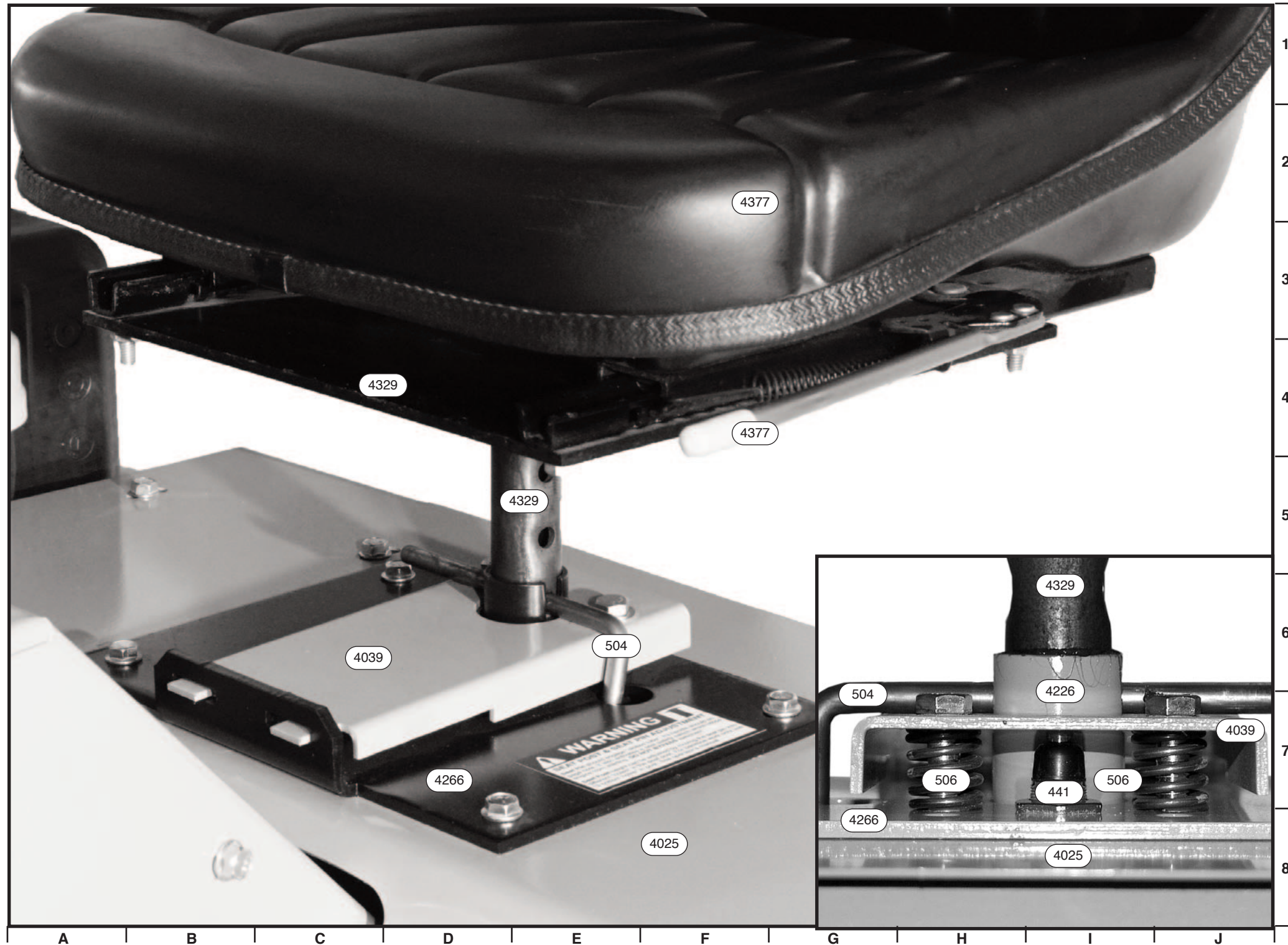


Photo MH-6

Magnatrac MH8500

Parking Brake - Right

View

Parts Identified

- 000208 Rocker assembly, left
- 000217A Clevis
- 000219 Pivot rod
- 000224 Pull, brake (4)
- 000225A Brake, body
- 000225B Brake, lever
- 000225C Brake, jam nut
- 000225D Brake, adjuster pin
- 000225L Brake Caliper, left
- 000246 Evener rod
- 000247 Vertical Brake Pull Rod
- 000249 Support (#219 rod)
- 000279 Grommet
- 000401M Frame Pin
- 000405 Bar
- 000428 Spring
- 000726 Grommet
- 000907 Washer
- 004260 Pedal assembly, brake
- 004261 Pull Rod
- 004318 Dash, lower

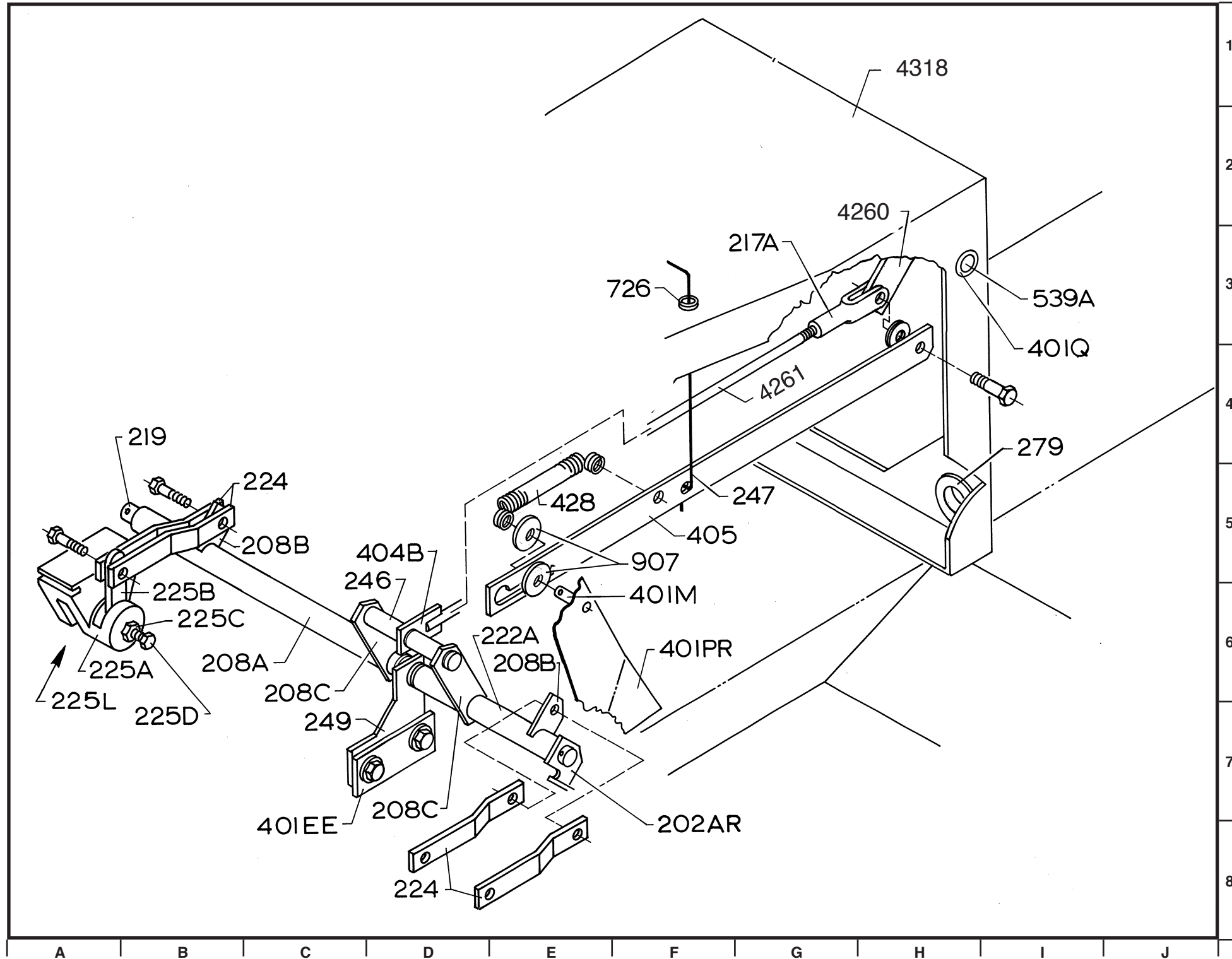


Photo MH-7

Magnatrac MH8500

Parking Brake - Right View

Parts Identified

000247	Vertical Brake Pull Rod
000405	Brake Bar
000441	Interlock Switch
000622	Fitting, barb, KF04-02PS (2)
001457	1/8" "T" - BIP
004196	1/8" Closed Nipple- BIP
004209	Pivot Mount
004217	Handle (2)
004221	Lever Assembly (2)
004242	Hydraulic Filter
004243	Filter Head
004248	Throttle Handle
004262	Throttle Bracket
004263	Throttle Lever
004318	Dash, lower

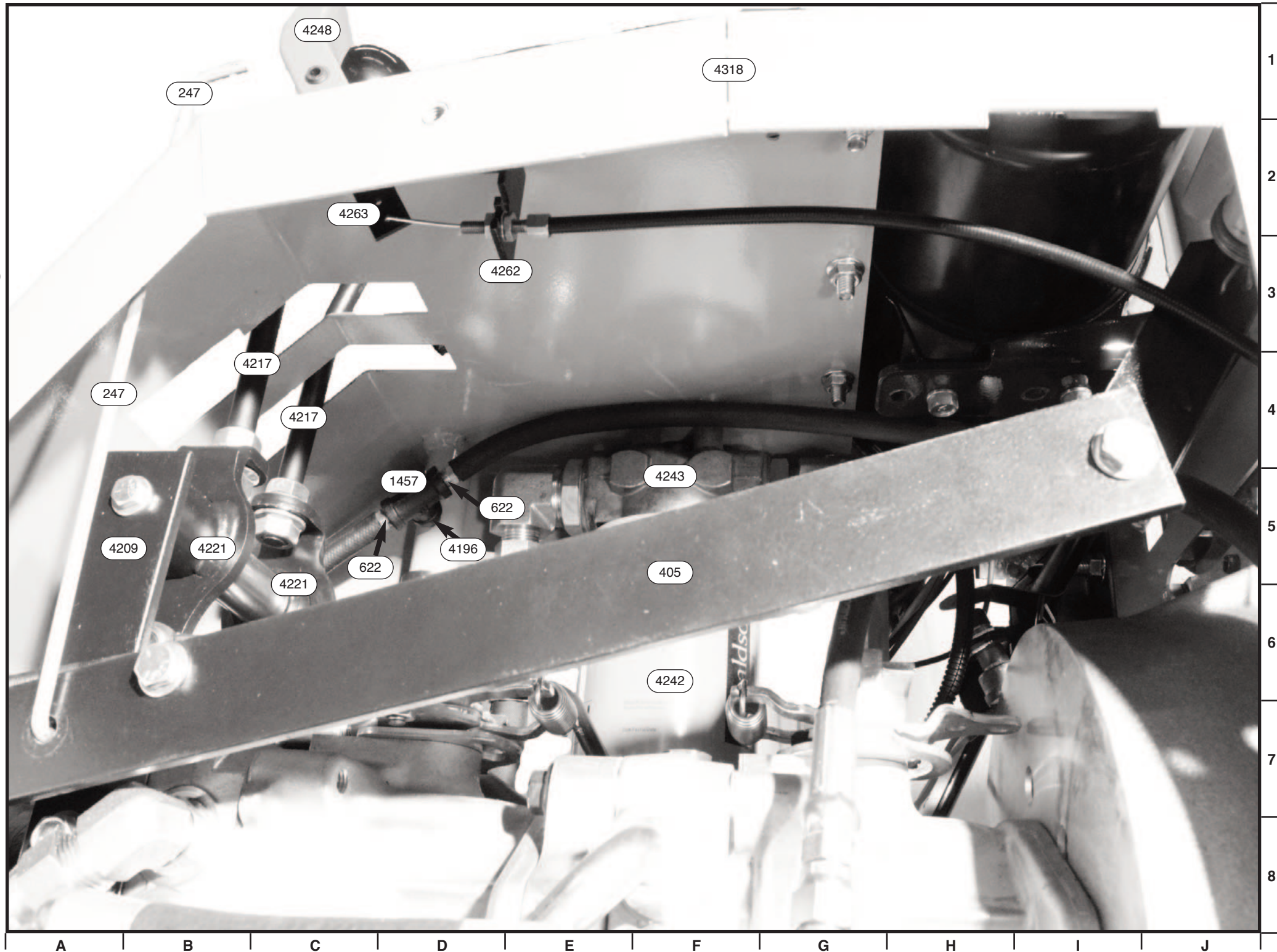


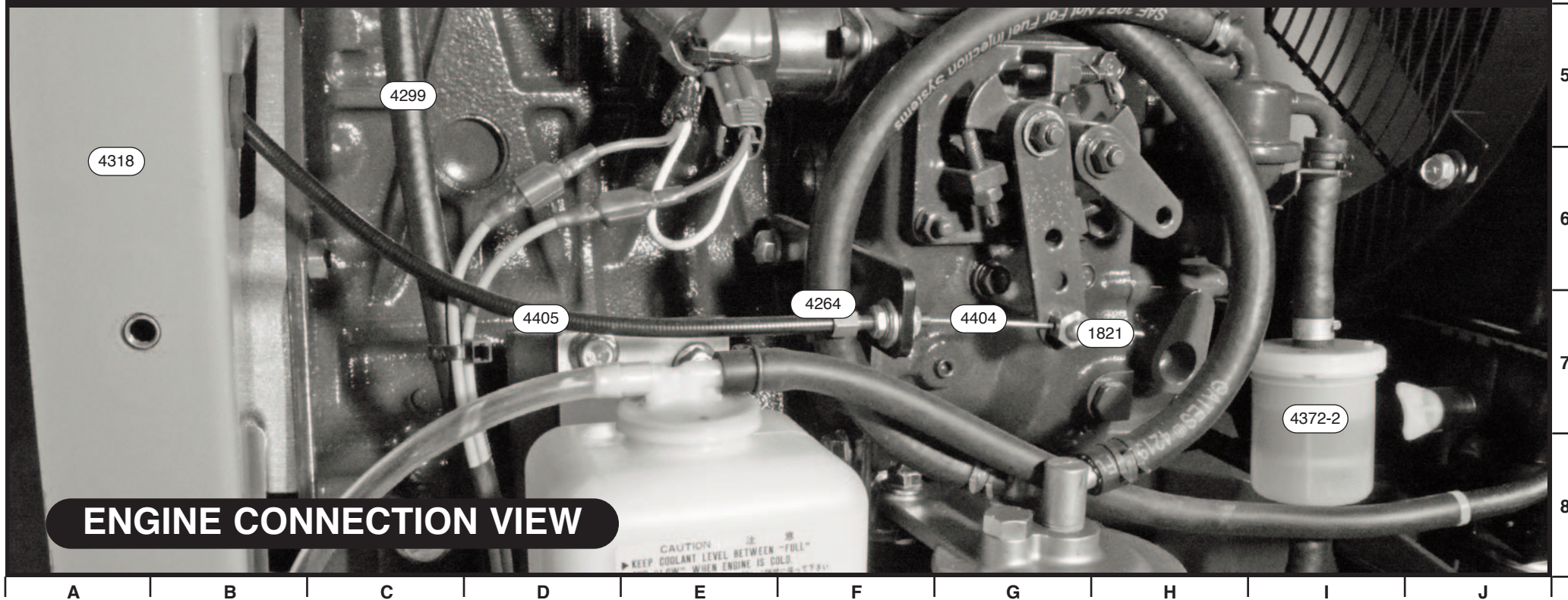
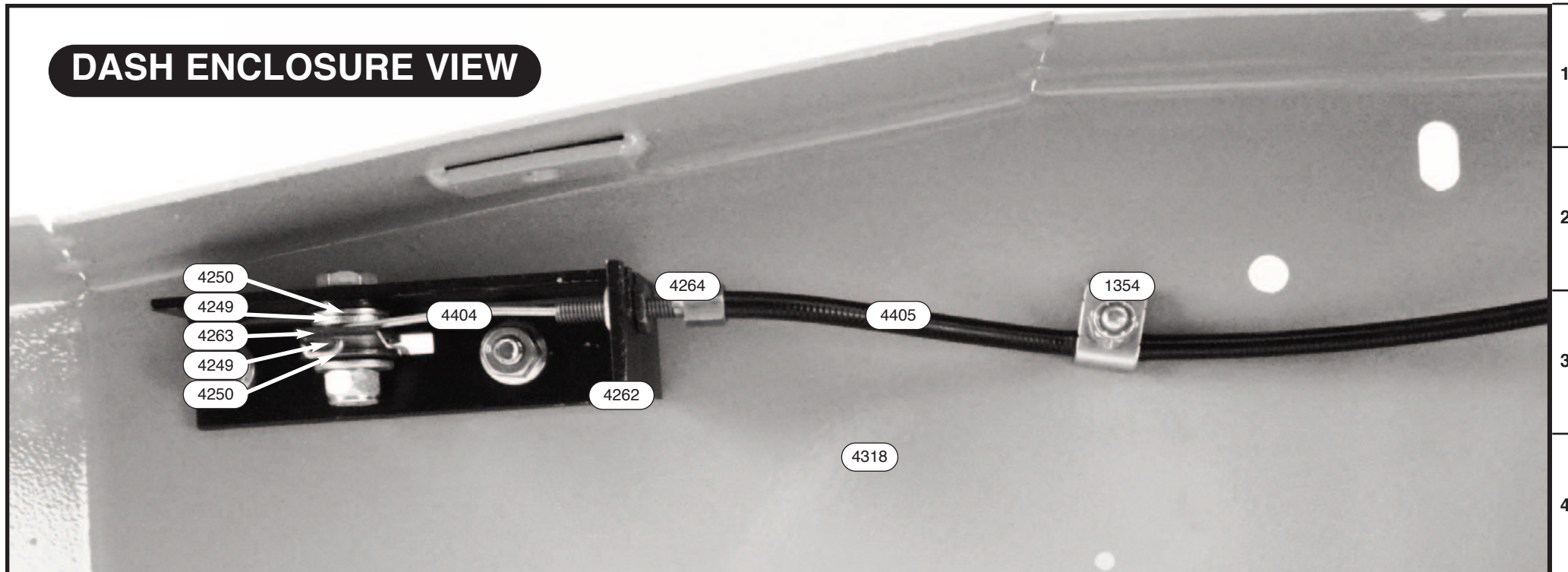
Photo MH-8

Magnatrac MH8500

Throttle Linkage View

Parts Identified

- 001354 Clip
- 001821 Cable Stop
- 004249 Disc Spring (2)
- 004250 Plastic Washer (2)
- 004262 Thottle Mount
- 004263 Throttle Lever
- 004264 Stem Bolt
- 004249
- 004318 Dash, lower
- 004372-2 Fuel Filter, (In-Line)
- 004404 Throttle wire
- 004405 Throttle casing, black



A B C D E F G H I J

1
2
3
4
5
6
7
8

Photo MH-9

Magnatrac MH8500

Throttle Linkage View

Parts Identified

- 000247 Vertical Brake Pull Rod
- 000622 Fitting, barb, KF04-02PS (2)
- 001354 Clip
- 001457 1/8" "T" - BIP
- 004209 Pivot Mount
- 004211 Tie Rod Link (2)
- 004217 Handle (2)
- 004221 Lever Assembly (2)
- 004240 Check Valve
- 004243 Filter Head
- 004248 Throttle Handle
- 004262 Throttle Bracket
- 004263 Throttle Lever
- 004285 Hose, 1/4" x 9 1/2"
- 004295 Hose, soft, 1/4" x 25"
- 004301 Fitting, 6815-16x16
- 004302 Fitting, 849-FSO-10x16
- 004318 Dash, lower
- 004404 Throttle wire
- 004405 Throttle casing, black
- 004449 Throttle Stop

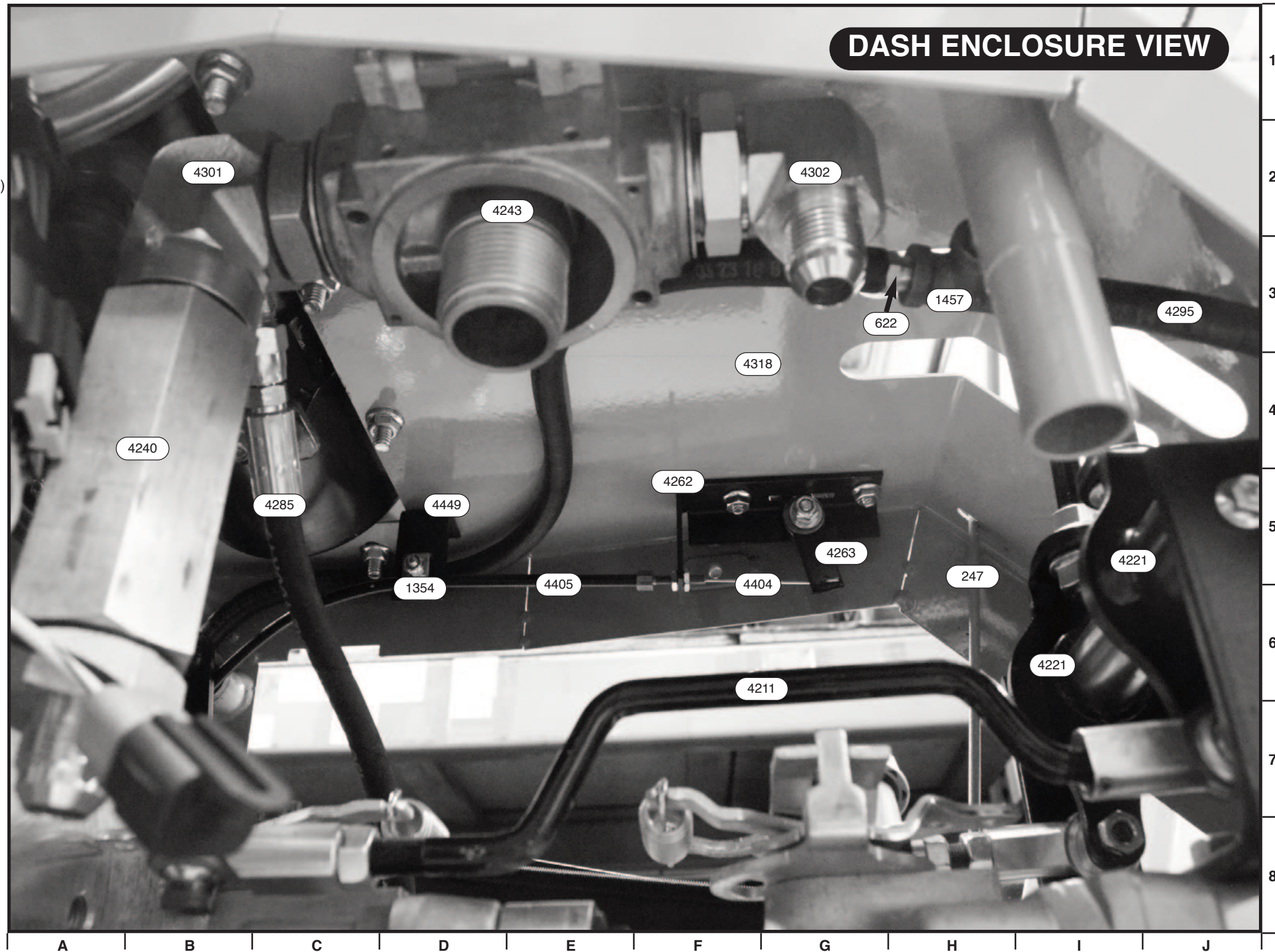


Photo MH-10

Magnatrac MH8500

Engine - Front View

Parts Identified

- 000229L Left Foot Guard
- 000229R Right Foot Guard
- 001357 Battery, 12V, 750CCA
- 004032 Battery Mount
- 004223L Left Fender
- 004223R Right Fender
- 004239 Hydraulic Oil Cooler
- 004302 Fitting, 849-FSO-10x16
- 004303 Fitting, 4601-16-16
- 004372-10 Engine Radiator
- 004376 Fuel Tank with Gauge
- 004391 Grill Floor

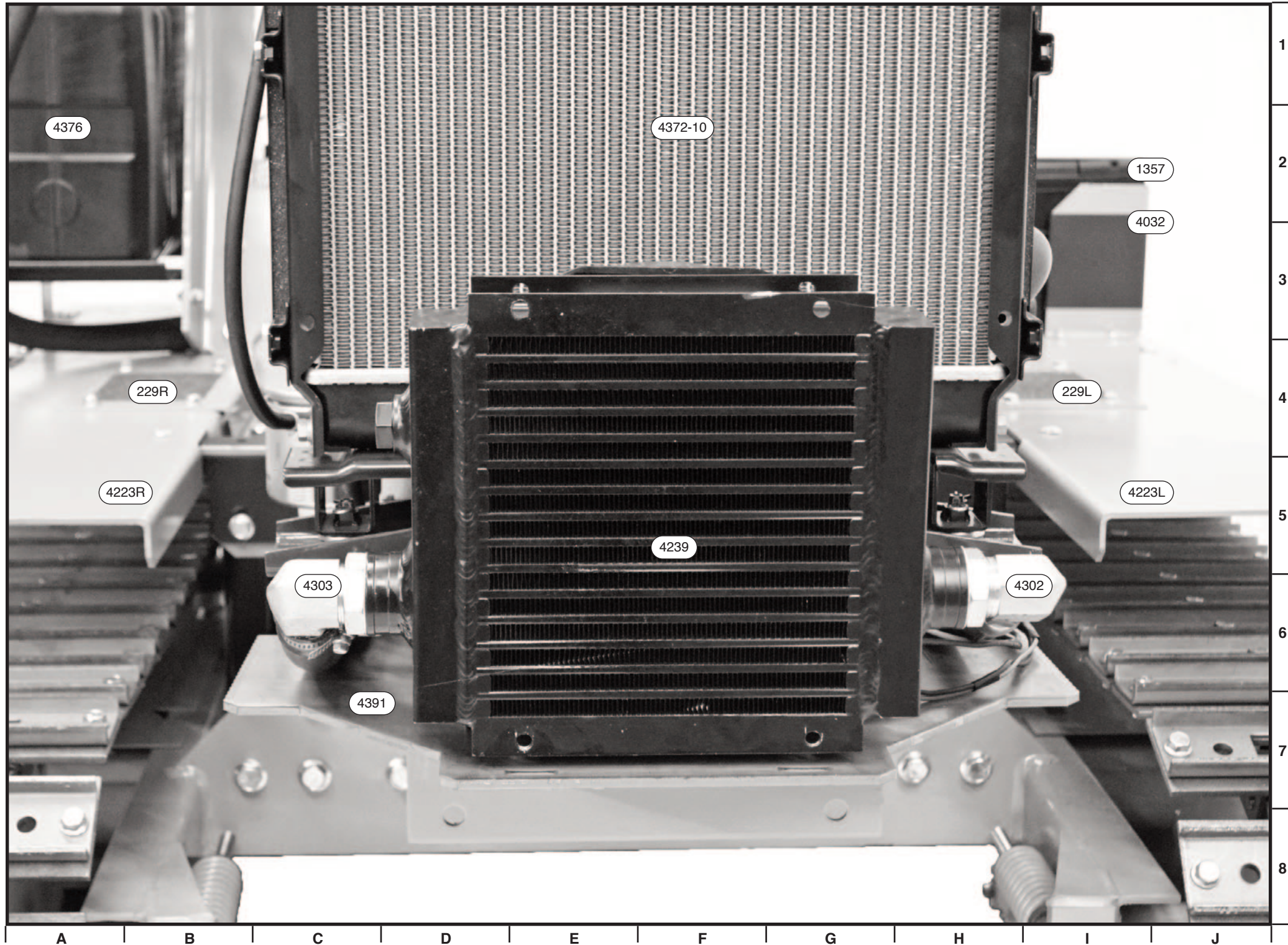


Photo MH-11

Magnatrac MH8500

Engine - Left View

Parts Identified

- 001364 Hood Latch
- 004260 Brake Pedal Assembly
- 004292 Hose, 5/8, 33"
- 004302 Fitting, 849-FSO-10x16
- 004318 Dash, lower
- 004319 Engine Leg (4)

- 004326 Dash, upper
- 004372 Kubota Engine, D1305-E4B
- 004372-1 Oil Filter
- 004372-4 Air Filter, inner (not shown)
- 004372-5 Air Filter, outer, (not shown)
- 004372-8 Muffler
- 004372-9 Starter
- 004372-10 Engine Radiator
- 004372-11 Alternator, 30AMP
- 004391 Grill Floor

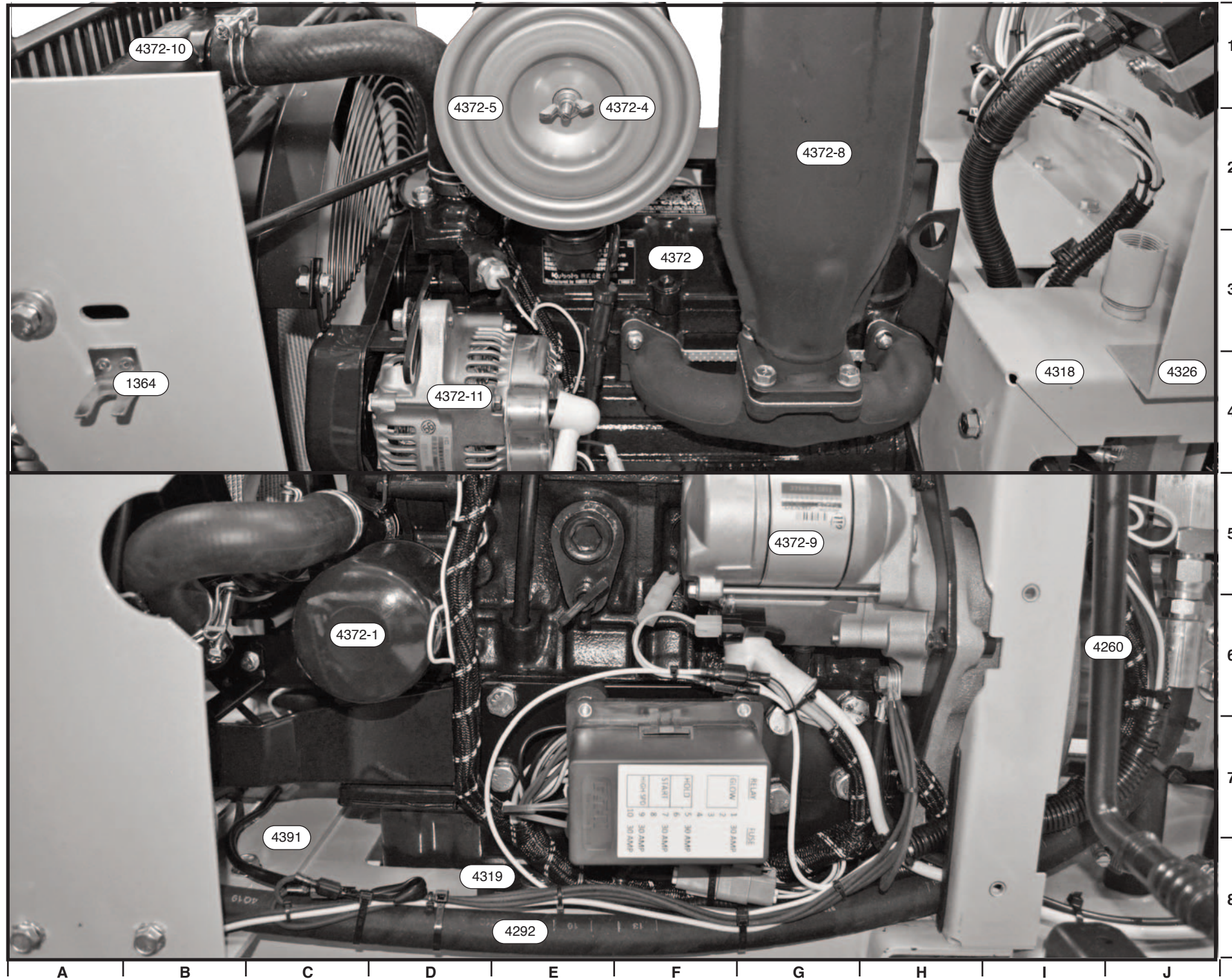


Photo MH-12

Magnatrac MH8500

Engine - Top View

Parts Identified

- 004318 Dash, lower
- 004372 Kubota Engine, D1305-E4B
- 004372-4 Air Filter, inner (not shown)
- 004372-5 Air Filter, outer, (not shown)
- 004372-8 Muffler
- 004372-11 Alternator, 30AMP
- 004372-12 Engine Fan Belt
- 004372-16 Air Cleaner Hose
- 004477 Hose Clamp
- 004564 Air Cleaner Mount
- 004573 Pipe Connector, 2"ID x 2"OD



Photo MH-13

Magnatrac MH8500

Engine - Right View

Parts Identified

- 000793 Zip Tie
- 000932 Hose Clamp, 1"
- 000948 Fan, 9"
- 001364 Air Cleaner Hose
- 004230 Oil Temp. Sensor
- 004239 Oil Cooler
- 004298 Hose, 5/16" x 69"

- 004303 Fitting, 4601-16-16
- 004318 Dash, lower
- 004321R Fan Mount Bracket, (right)
- 004372-2 Pre-Fuel Filter (inline)
- 004372-3 Fuel Filter (spin-on)
- 004372-8 Muffler

- 004372-12 Engine Fan Belt
- 004372-16 Air Cleaner Hose
- 004387 Hose, 1" Soft, 31"
- 004404 Throttle wire
- 004405 Throttle casing, black
- 004548 Oil Sensor Adapter
- 004574 LED Headlight, 18W

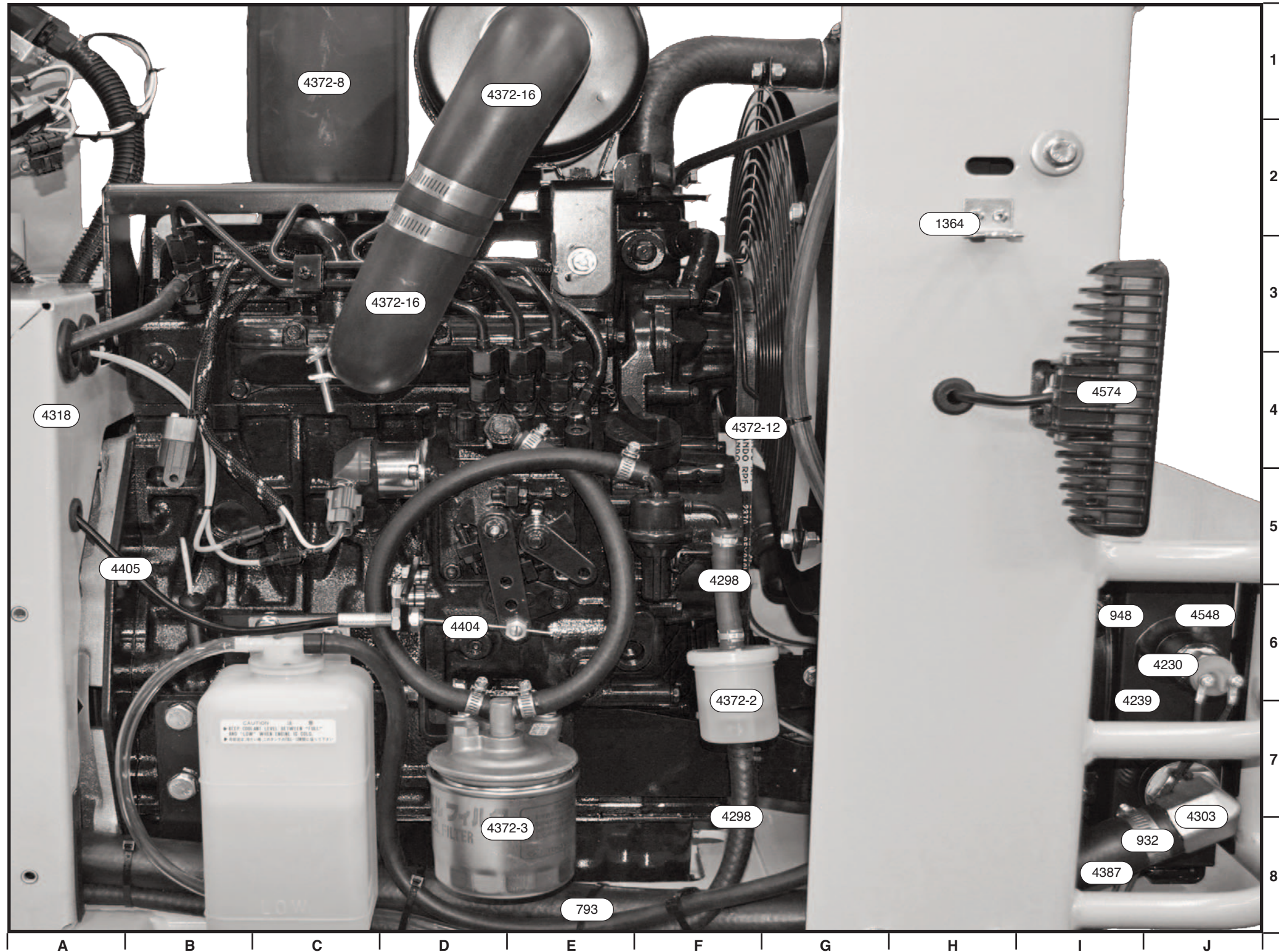


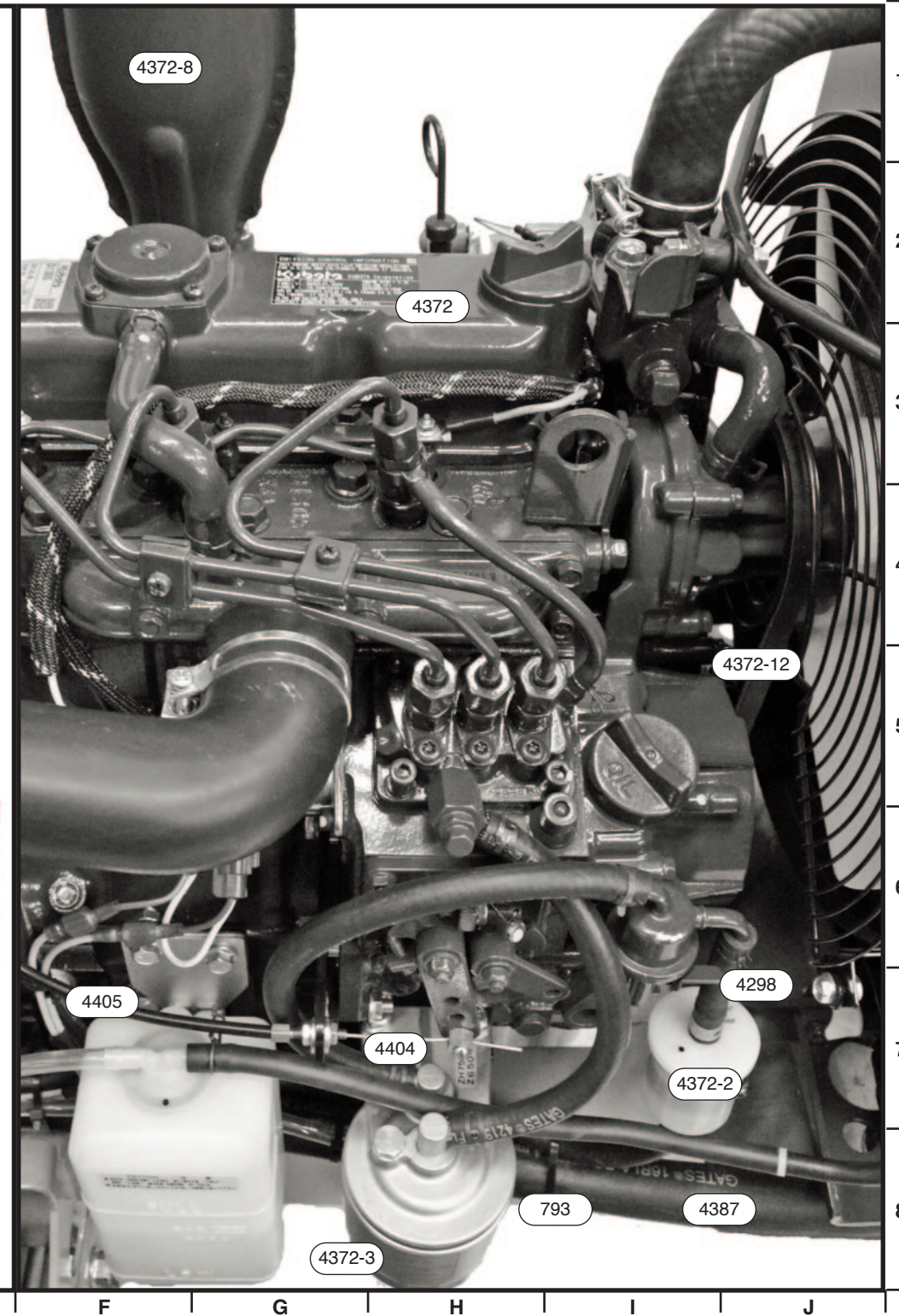
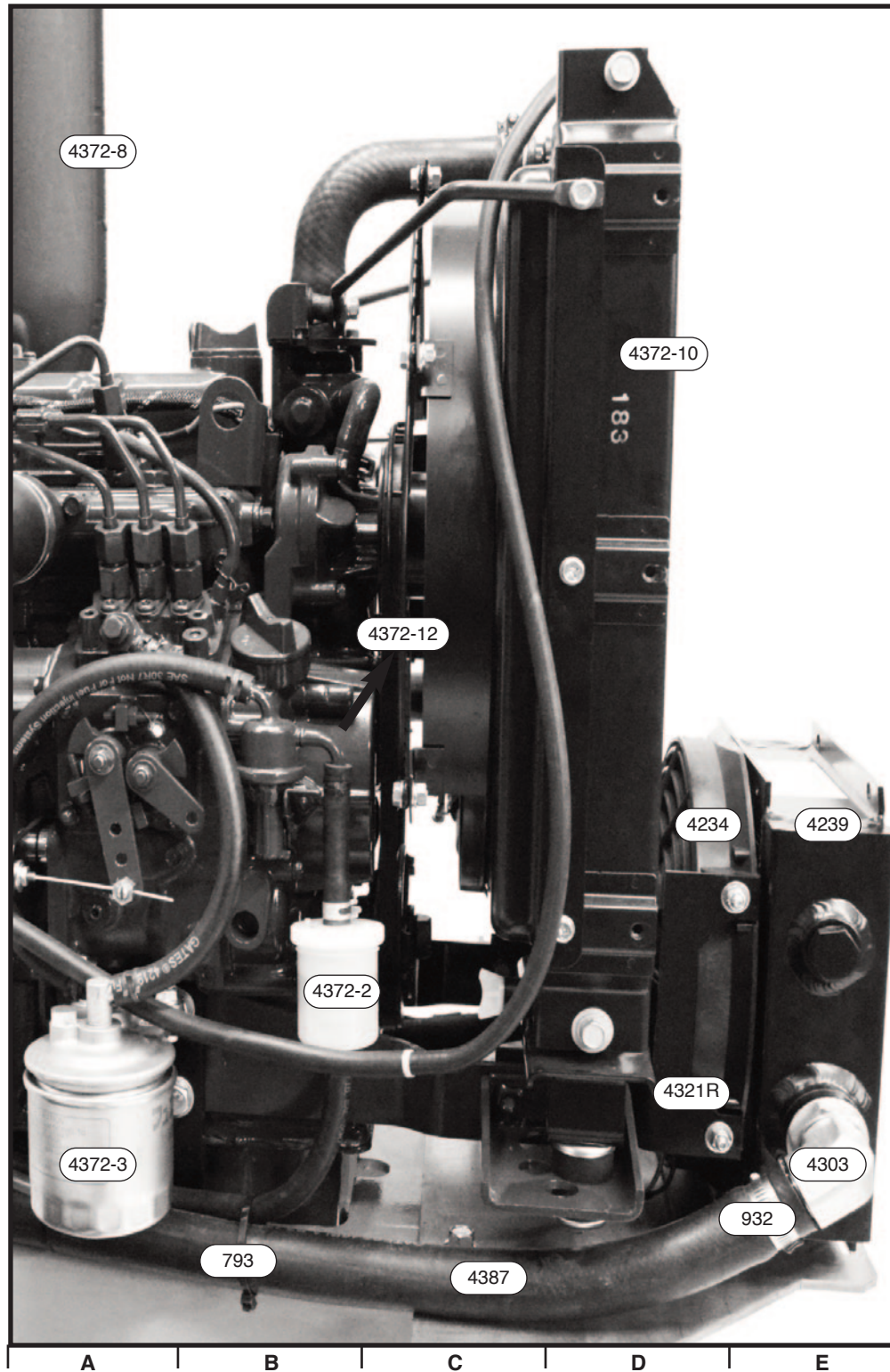
Photo MH-14

Magnatrac MH8500

Engine - Fan View

Parts Identified

- 000793 Zip Tie
- 000932 Hose Clamp, 1"
- 004234 Fan, 9"
- 004239 Oil Cooler
- 004298 Hose, 5/16" x 69"
- 004303 Fitting, 4601-16-16
- 004321R Fan Mount Bracket, (right)
- 004372 Kubota Engine, D1305-E4B
- 004372-2 Pre-Fuel Filter (inline)
- 004372-3 Fuel Filter (spin-on)
- 004372-8 Muffler
- 004372-10 Engine Radiator
- 004372-12 Engine Fan Belt
- 004387 Hose, 1" Soft, 31"
- 004404 Throttle wire
- 004405 Throttle casing, black



A B C D E F G H I J

1
2
3
4
5
6
7
8

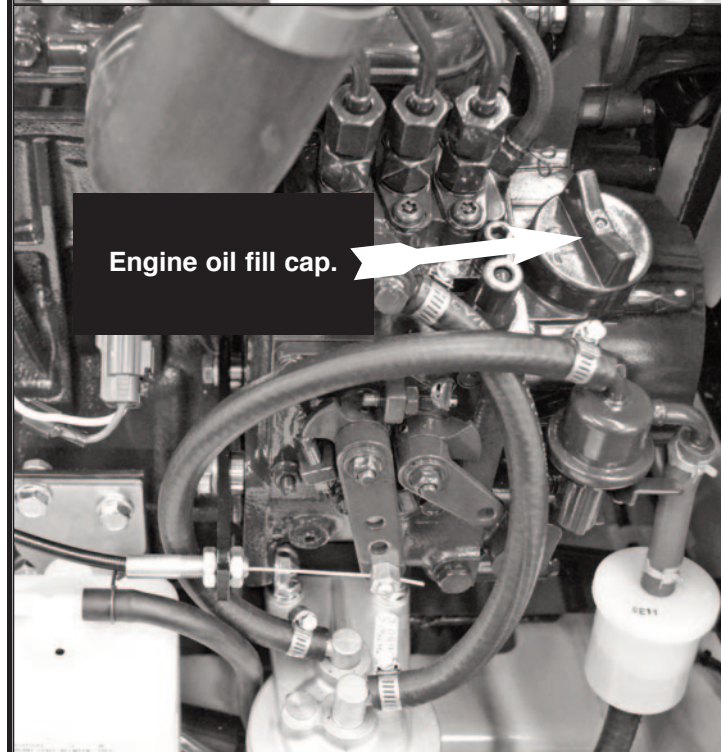
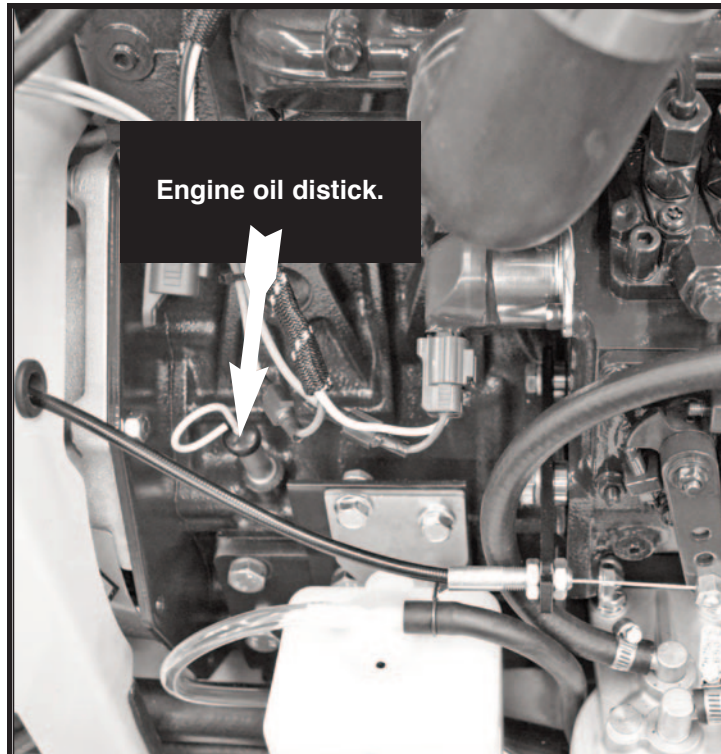
Photo MH-15

Magnatrac MH8500

Engine - Bottom View & Engine Oil Change

Parts Identified

- 000793 Zip Tie
- 000932 Hose Clamp, 1"
- 000948 Fan, 9"
- 004239 Oil Cooler
- 004298 Hose, 5/16" x 69"
- 004303 Fitting, 4601-16-16
- 004317 Top Cylinder Mount
- 004321R Fan Mount Bracket, (right)
- 004372 Kubota Engine, D1305-E4B
- 004372-2 Pre-Fuel Filter (inline)
- 004372-3 Fuel Filter (spin-on)
- 004372-8 Muffler
- 004372-10 Engine Radiator
- 004372-12 Engine Fan Belt
- 004372-17 Engine Oil Pan
- 004387 Hose, 1" Soft, 31"
- 004404 Throttle wire
- 004405 Throttle casing, black



A B C D E F G H I J

1
2
3
4
5
6
7
8

Photo MH-16

Magnatrac MH8500

Electrical - Behind Dash

View

Parts Identified

- 000447 Headlight Switch
- 004236 Dash, upper
- 004231 Hydo Oil Temp Gauge
- 004318 Dash, lower
- 004372-4 Air Fliter, inner (not shown)
- 004372-5 Air Filter, outer, (not shown)
- 004372-14 Industrial Ignition
- 004372-15 RPM Gauge
- 004438 Terminal Block
- 004439 LED Indicator Light - PFC™
- 004541 40AMP Relay Switch
- 004564 Air CLeaner Mount
- 004620 80AMP Relay Switch
- 004624 10 AMP Fuse
- 004625 5 AMP Fuse

Note

Wires may connect to different positions on the #004438 Terminal Block.

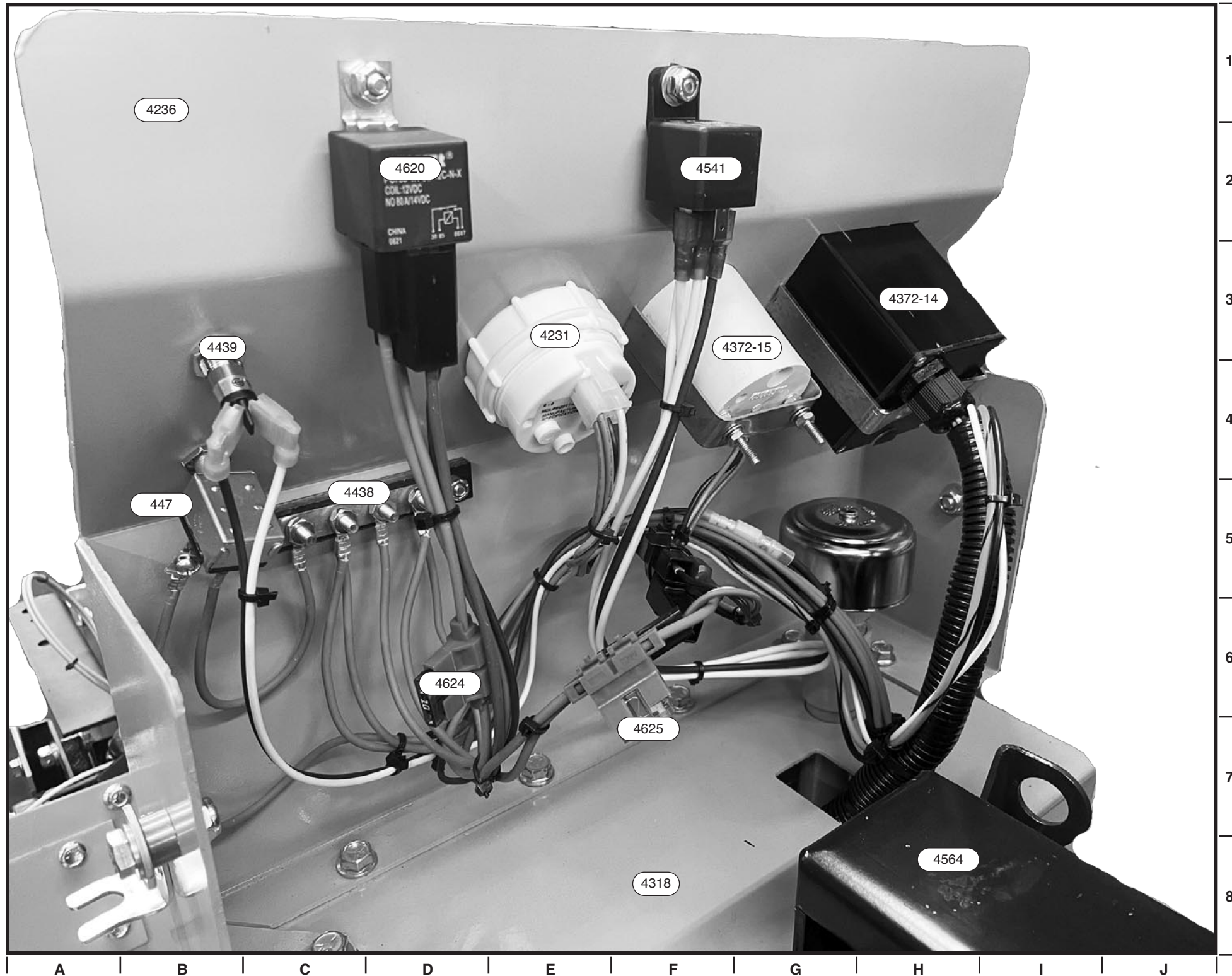


Photo MH-18

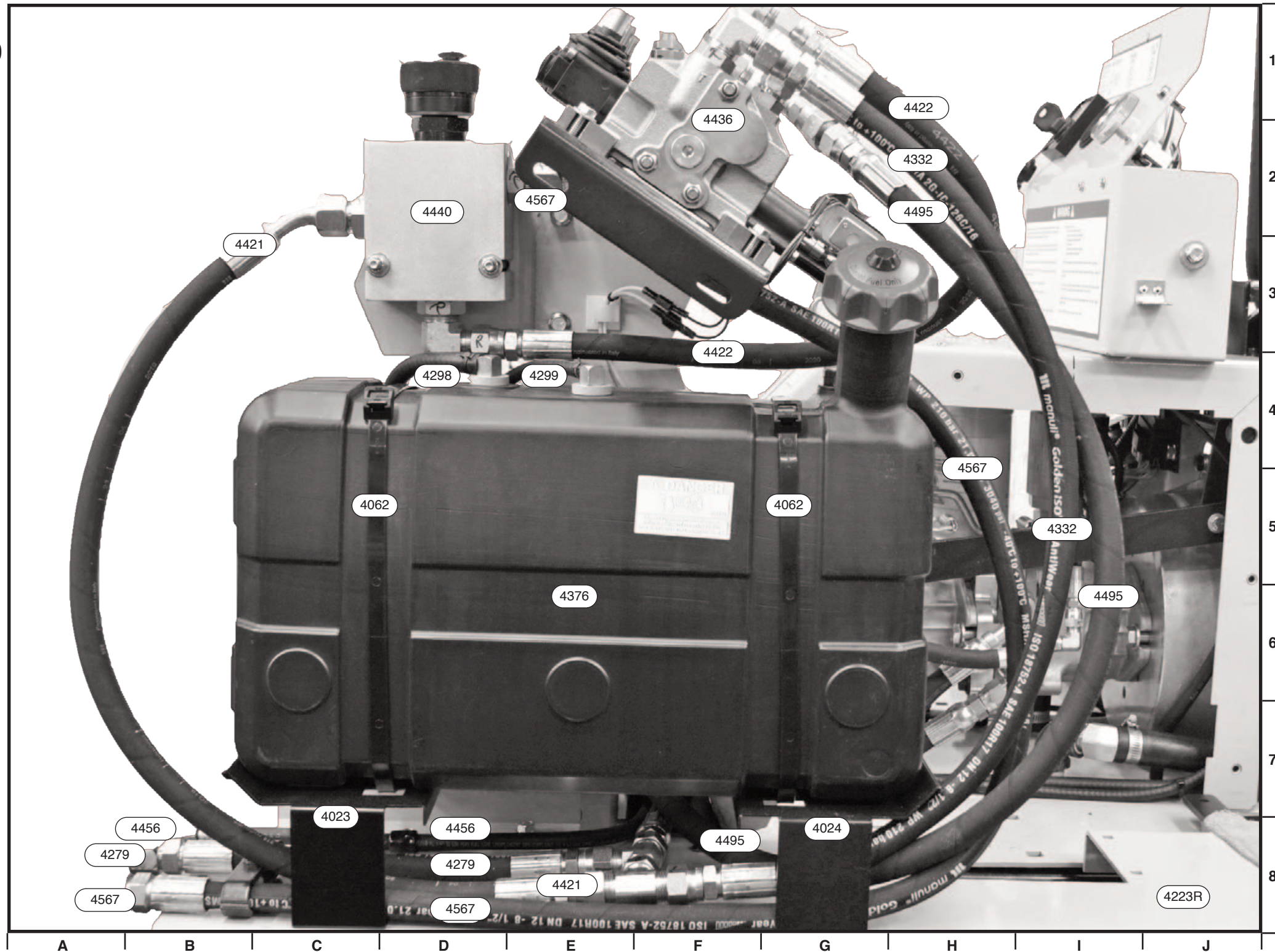
Magnatrac MH8500

Fuel Tank & PFC

Valve View

Parts Identified

- | | |
|---------|---------------------------|
| 004023 | Rear Tank Bracket |
| 004024 | Front Tank Bracket |
| 004062 | Cable Tie, 40" (2) |
| 004223R | Right Fender |
| 004279 | Hose, 1/2" x 13-1/2" |
| 004332 | Hose, 1/2" x 32" |
| 004335 | Hose, 1/2" x 48" |
| 004376 | Fuel Tank & Cannister |
| 004436 | Attachment Valve |
| 004421 | Hose, 1/2" x 32" |
| 004422 | Hose, 1/2" x 26" |
| 004440 | Priority flow (regulator) |
| 004456 | Hose, 1/4" Case Drain |
| 004495 | Hose, 1/2" x 55" |
| 004567 | Hose, 1/2" x 49" |



A B C D E F G H I J

1
2
3
4
5
6
7
8

Photo MH-19

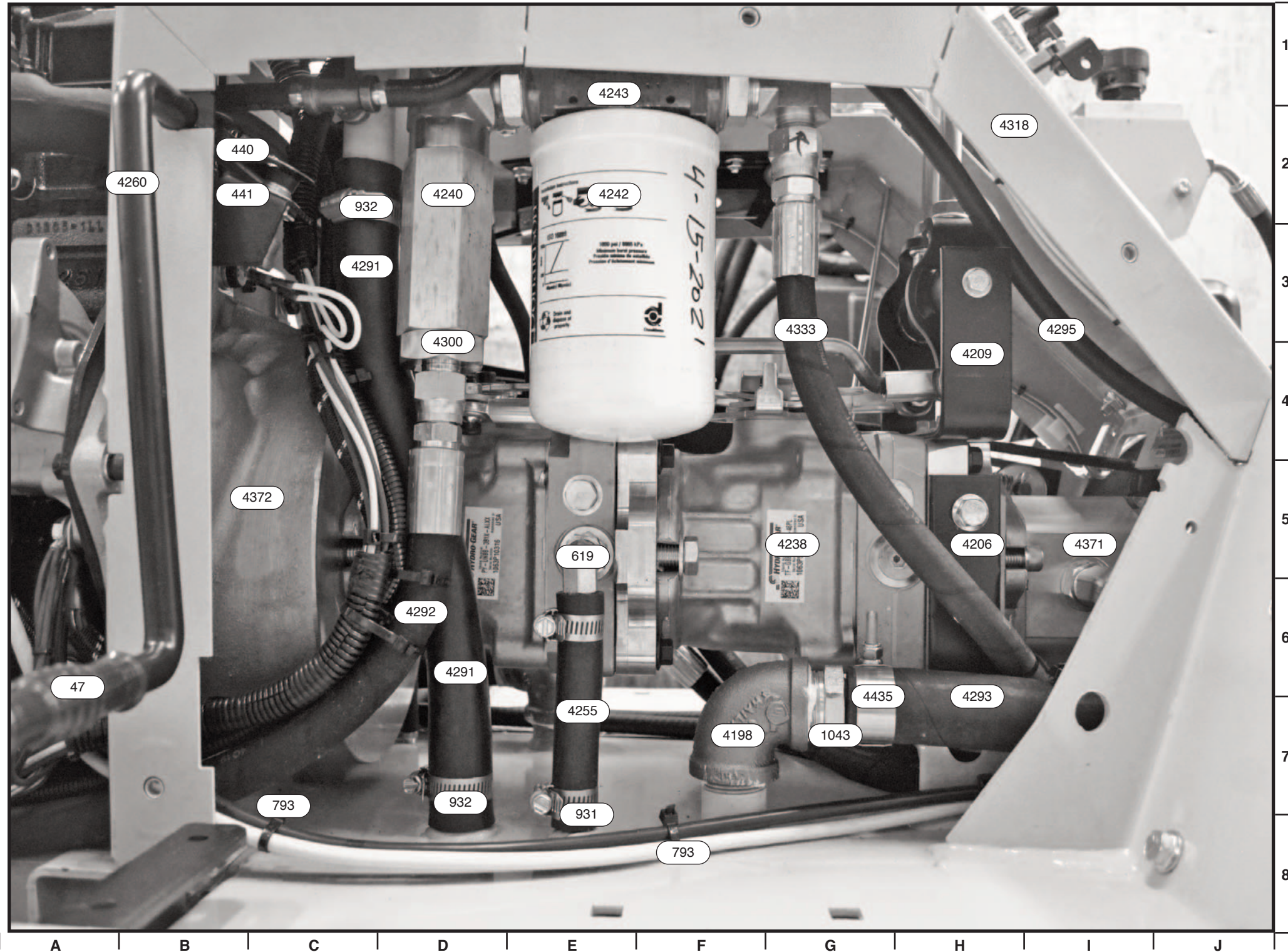
Magnatrac MH8500

Hydraulics - Left Side View

Parts Identified

- 000047 Foot/Hand Grip
- 000440 Leaf Spring
- 000441 Interlock Switch
- 000619 Fitting, KF10-06PS90
- 000793 Zip Tie
- 000931 Hose Clamp, 5/8" (2)
- 000932 Hose Clamp, 1" (3)
- 001043 Fitting, 16-16MP
- 004198 BIP Fitting, 1" x 1" x 1/2"
- 004206 Support Leg (2)
- 004209 Pivot Mount

- 004238 Tandem Piston Pump
- 004240 Check Valve
- 004242 Hydraulic Filter
- 004243 Filter Head
- 004255 Hose, soft, case drain, 5/8"
- 004260 Brake Pedal Assembly
- 004291 Hose, soft, 1" x 17 1/2"
- 004292 Hose, soft, 5/8" x 33"
- 004295 Hose, soft, 1/4" x 25"
- 004300 Fitting, 848-FSO-10x16
- 004311 Spring (not shown)
- 004318 Dash, lower
- 004333 Hose, 1/2" x 26"
- 004371 Attachment Pump
- 004372 Kubota Engine, D1305-E4B
- 004435 T-Bolt Clamp



47

4260

440

441

932

4240

4243

4242

4318

4291

4300

4333

4295

4209

4372

619

4238

4206

4371

4292

4291

4255

4435

4293

4198

1043

793

932

931

793

A

B

C

D

E

F

G

H

I

J

1
2
3
4
5
6
7
8

Photo MH-20

Magnatrac MH8500

Hydraulics - Upper Left

Side View

Parts Identified

- 000440 Leaf Spring
- 000441 Interlock Switch
- 000515 Hose, soft, 1" x 14
- 000793 Zip Tie
- 000932 Hose Clamp, 1" (3)
- 004238 Tandem Piston Pump
- 004240 Check Valve
- 004242 Hydraulic Filter
- 004243 Filter Head
- 004295 Hose, soft, 1/4" x 25"
- 004300 Fitting, 848-FSO-10x16
- 004301 Fitting, 6815-16x16
- 004302 Fitting, 849-FSO-10x16
- 004318 Dash, lower
- 004333 Hose, 1/2" x 26"

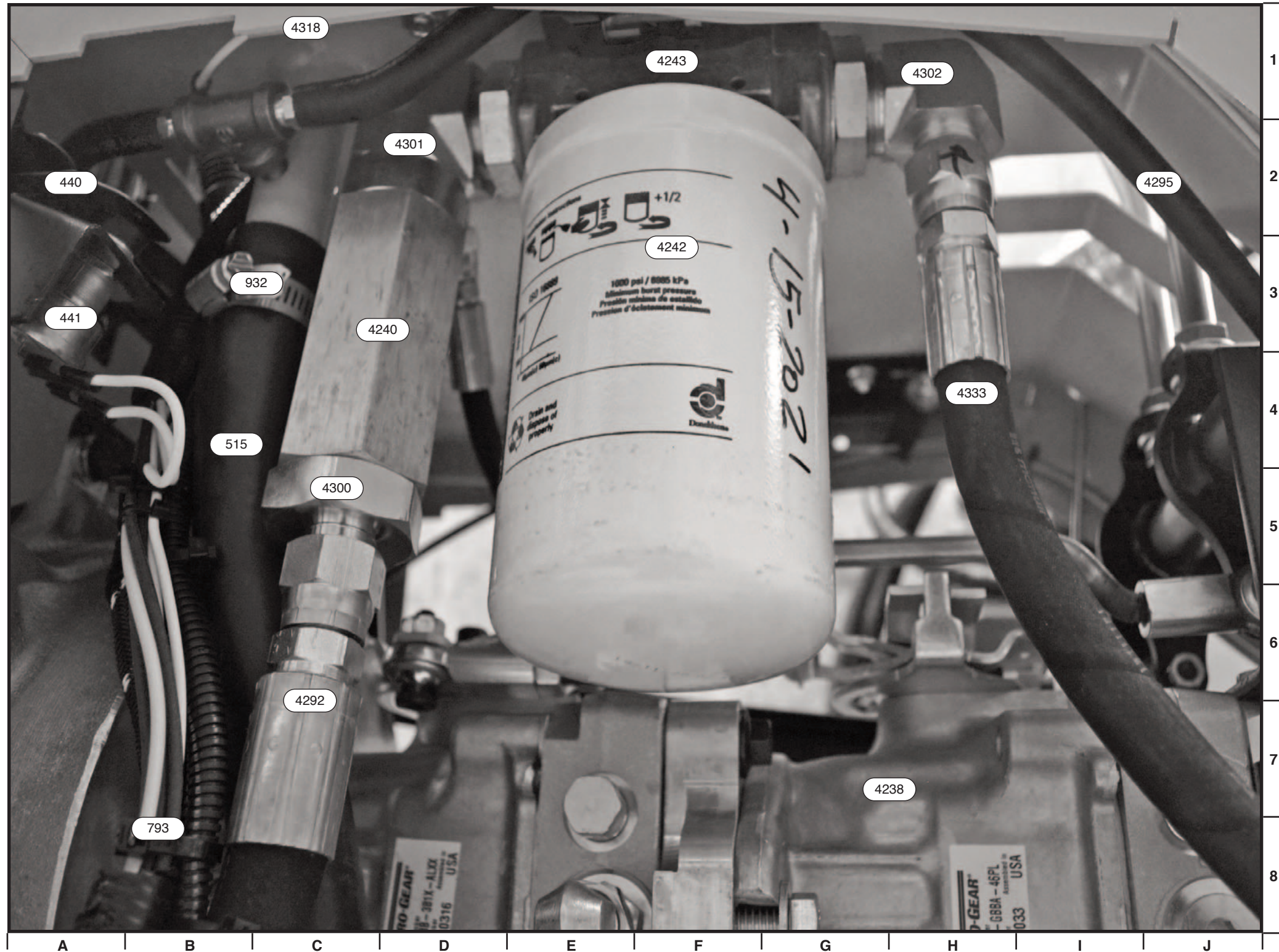


Photo MH-21

Magnatrac MH8500

Hydraulics - Right Side

View

Parts Identified

- 000247 Vertical Brake Pull Rod
- 000405 Brake Bar
- 000676 Fitting, 879-FS-06
- 000793 Cable Tie
- 000817 Fitting, "T", 871-FS-06
- 000932 Hose Clamp, 1"
- 004199 Fitting, BIP, 90 deg, 3/4"
- 004238 Tandem Piston Pump
- 004238-1 Hose, flow delivery hose
- 004282 Hose, 1/2" x 9 1/2"
- 004283 Hose, 1/2" x 11 1/2"
- 004285 Hose, 1/4" x 9 1/2"
- 004294 Hose, soft, 1/4" x 29"
- 004296 Hose, 1/2" x 20"
- 004297 Hose, 1/2" x 19"
- 004298 Hose, soft, 5/16" x 69"
- 004305 Fitting, 4503-16x12
- 004306 Fitting, 849-FSO-10x08 (2)
- 004318 Dash, lower
- 004371 Attachment Pump
- 004372 Kubota Engine, D1305-E4B

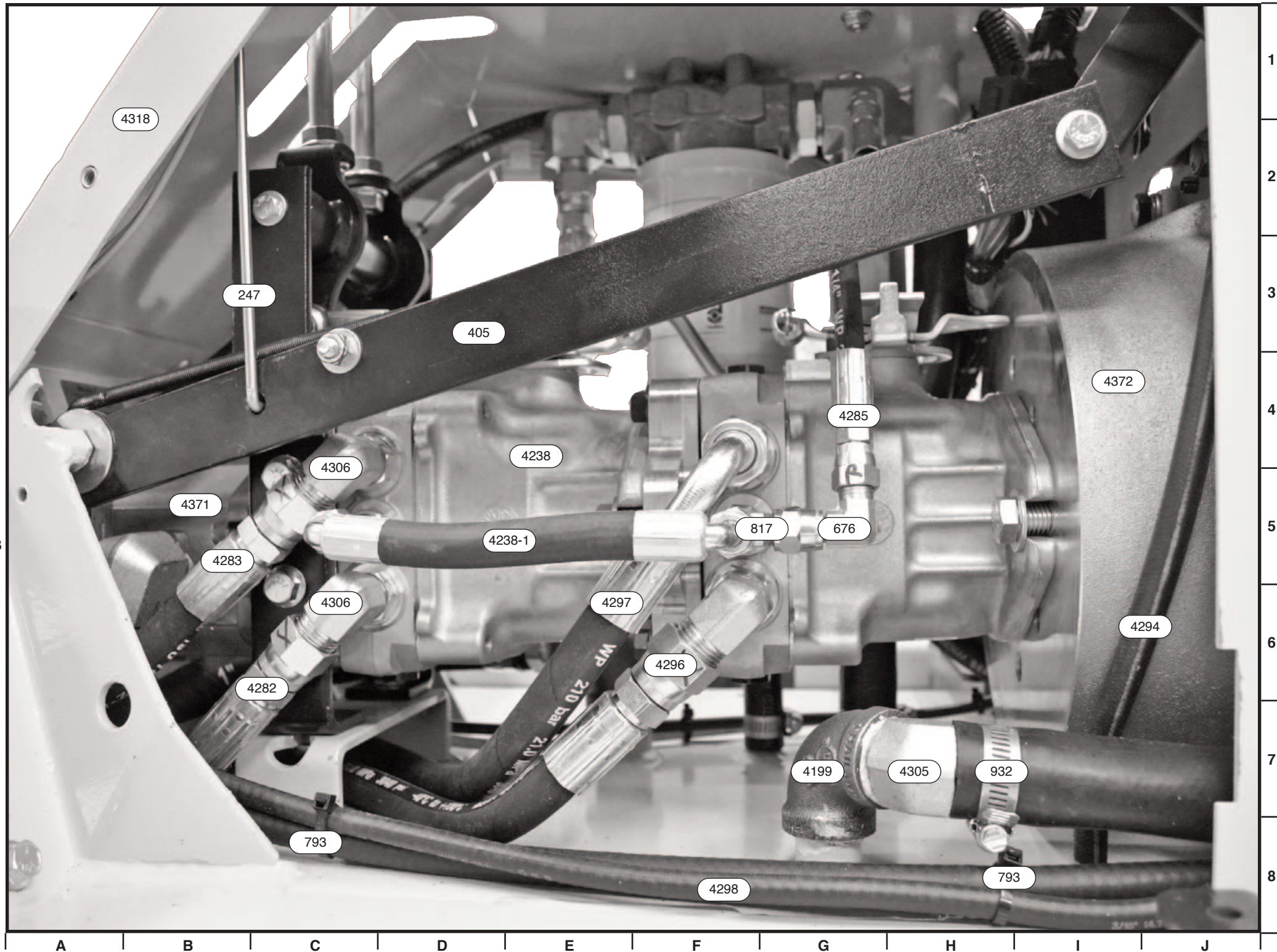


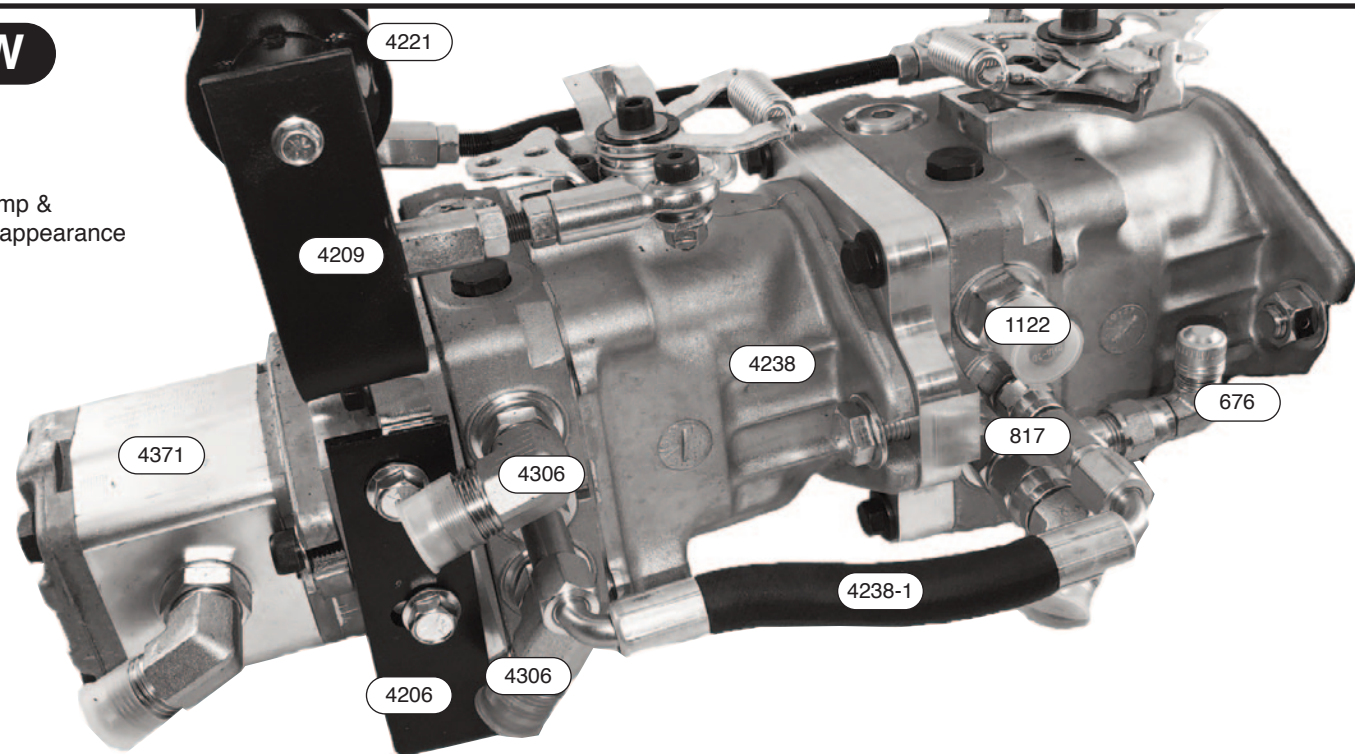
Photo MH-22 Magnatrac MH8500 Hydraulics - Piston Pump Assembly

Parts Identified

000676	Fitting, 879-FS-06
000619	Fitting, KF10-06PS90
000817	Fitting, "T", 871-FS-06
001122	Fitting, 879-FS-10
004206	Support Leg (2)
004209	Pivot Mount
004211	Tie Rod Link (2)
004221	Track Handle Pivot (2)
004238	Tandem Piston Pump
004238-1	Hose, flow delivery
004306	Fitting, 849-FSO-10x08 (2)
004371	Attachment Pump

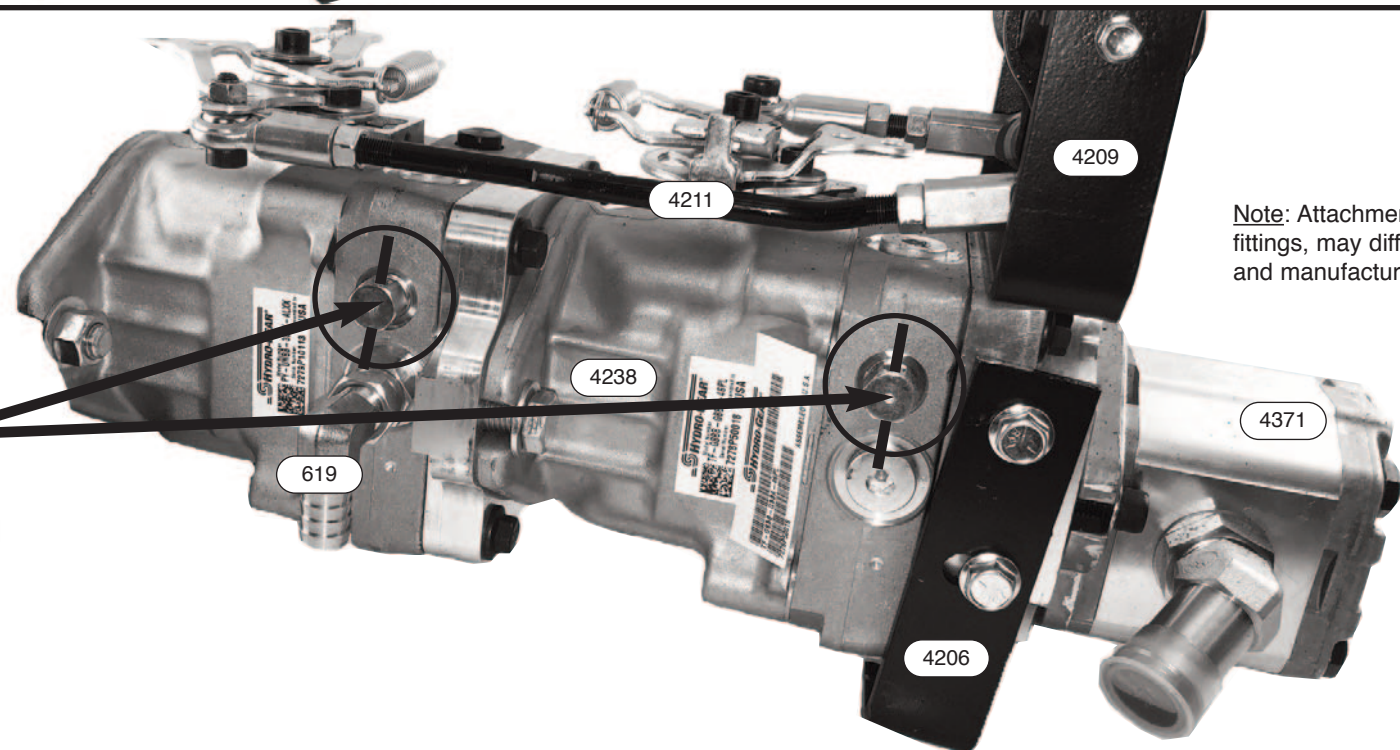
RIGHT VIEW

Note: Attachment pump & fittings, may differ in appearance and manufacturer.



LEFT VIEW

NOTE:
If machine needs to be pushed or pulled and engine does not start; rotate these nuts to allow flow to move through the piston pump and dump flow back into tank.

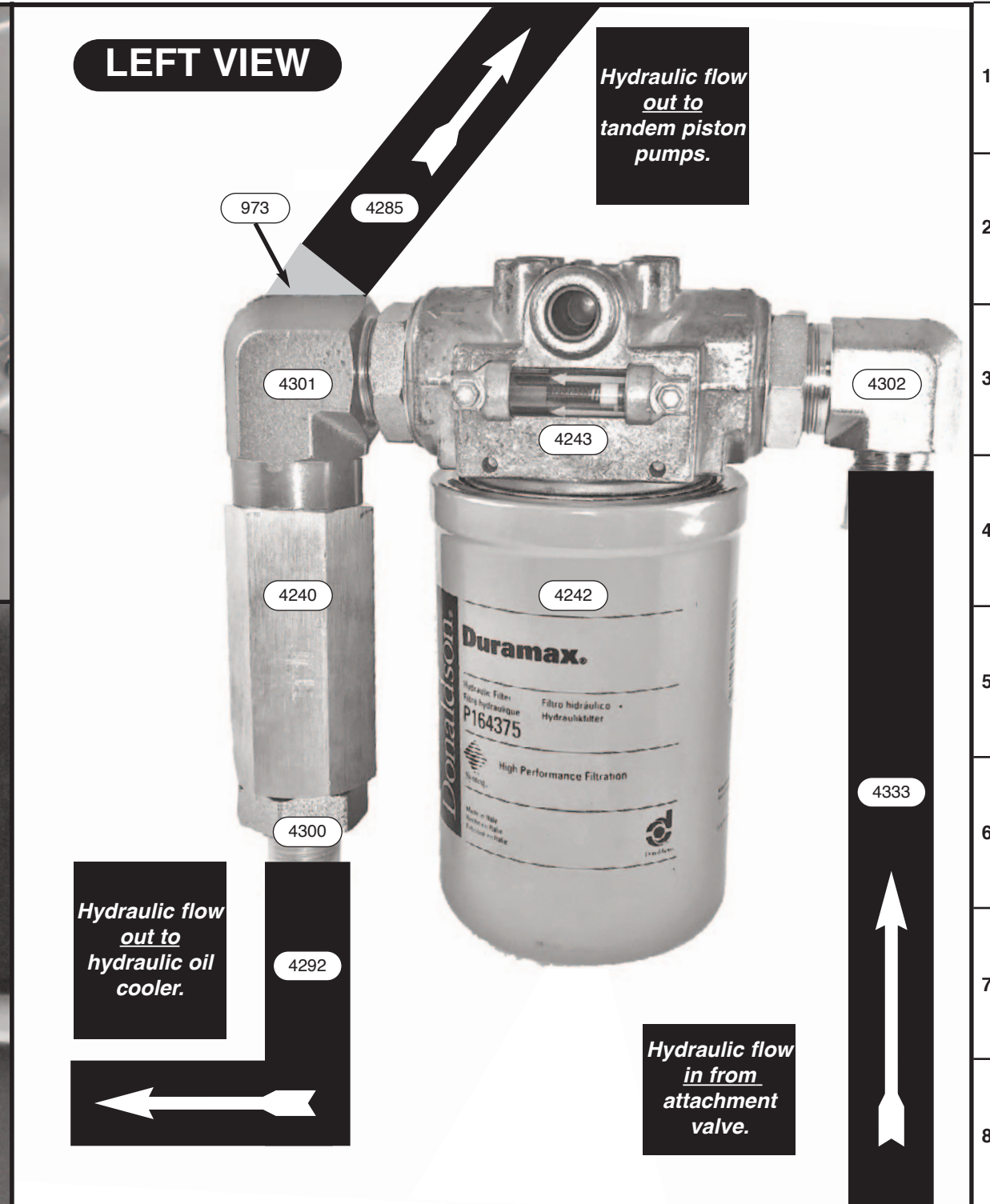
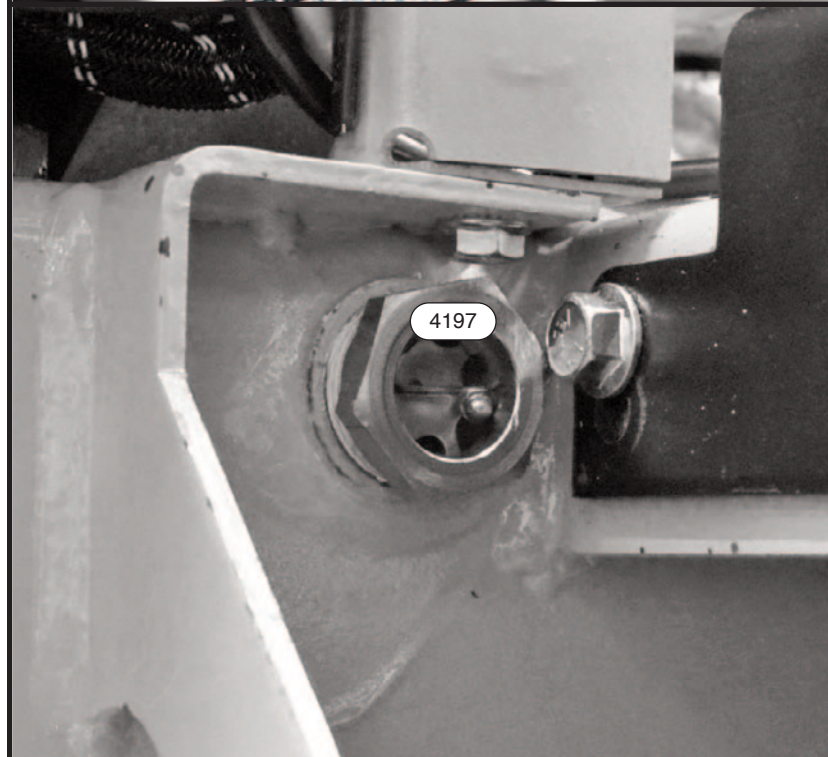
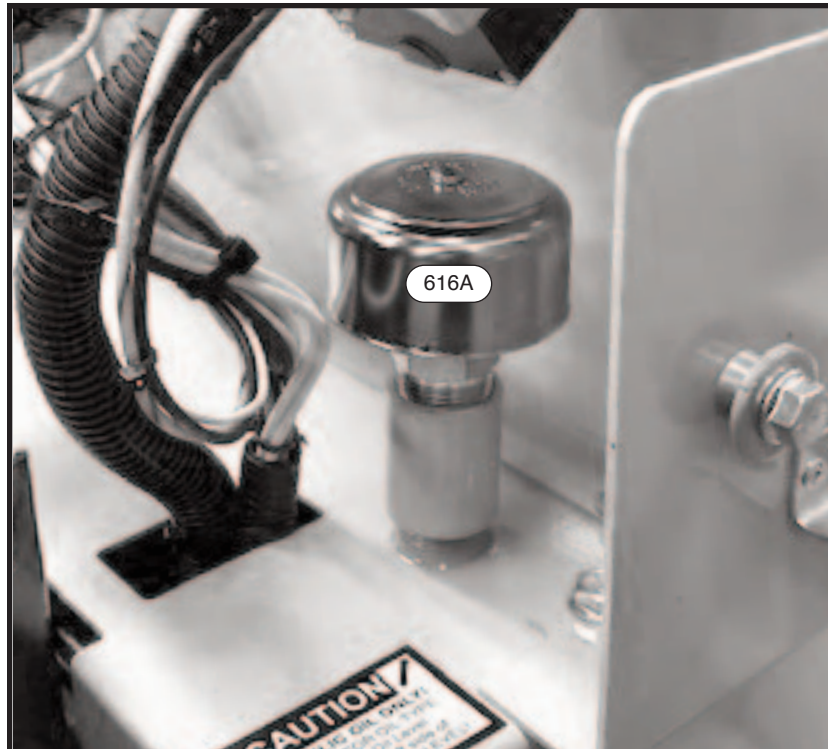


Note: Attachment pump & fittings, may differ in appearance and manufacturer.

Photo MH-23 Magnatrac MH8500 Hydraulics - Breather, Oil Sight Window & Filter Assembly

Parts Identified

- 000616A Breather, 3/4" NPT
- 000973 Fitting, 854-FS-06x04
- (Not shown)
- 004197 Oil Sight Window
- 004240 Check Valve
- 004242 Hydraulic Filter
- 004243 Filter Head
- 004285 Hose, 1/4" x 9 1/2"
- 004292 Hose, 5/8" x 33"
- 004300 Fitting, 848-FSO-10x16
- 004301 Fitting, 6815-16x16
- 004302 Fitting, 849-FSO-10x16
- 004333 Hose, 1/2" x 26"



A B C D E F G H I J

Photo MH-24

Magnatrac MH8500

Hydraulics - Attachment Valve Assembly

Parts Identified

001041R-2 PTO/Accessory Safety Switch	004332 Hose, 1/2" x 40"
001052 Handle (5)	004495 Hose, 1/2" x 55"
004331 Attachment Valve	004422 Hose, Pressure Aux-2, 1/2 x 26"
004331-1 Relief Valve (8)	

Attachment Operations:

Loader:

A	Bucket - Dump
B	Bucket - Rollback
C	Bucket - Lower / Float*
D	Bucket - Raise
E	Cylinder - Close (Grapple or CK29 for Angling Blade)
F	Cylinder - Open (Grapple or CK29 for Angling Blade)

6-Way Blade:

A	Tilt - Right Corner Lower
B	Tilt - Right Corner Raise
C	Lift - Blade Lower / Float*
D	Lift - Blade Raise
E	Angle - Rotate Left
F	Angle - Rotate Right

3 Pt. Rear Hitch:

G	Hitch - 3 pt. Hitch Lower / Float*
H	Hitch - 3 pt. Hitch Raise

Power Take-Off (PTO), Backhoe or 3rd Party Attachment:

1	Front Auxillary - (Optional Hose Kit pushes flow to 3rd party attachment)
2	Rear Auxillary - PFC Regulator Valve (PTO or Backhoe use)

Type of Valve Section:

S	Standard Section (Handle goes to neutral when released).
F	Float Section (Allows attachment to "float" over the soil). Push handle fully forward into a forward lock position.
SD	Standard Section with Dentent (Handle goes forward or rearward into a lock position).

NOTE:
Ports are shown capped off without attachment hoses for clarity.

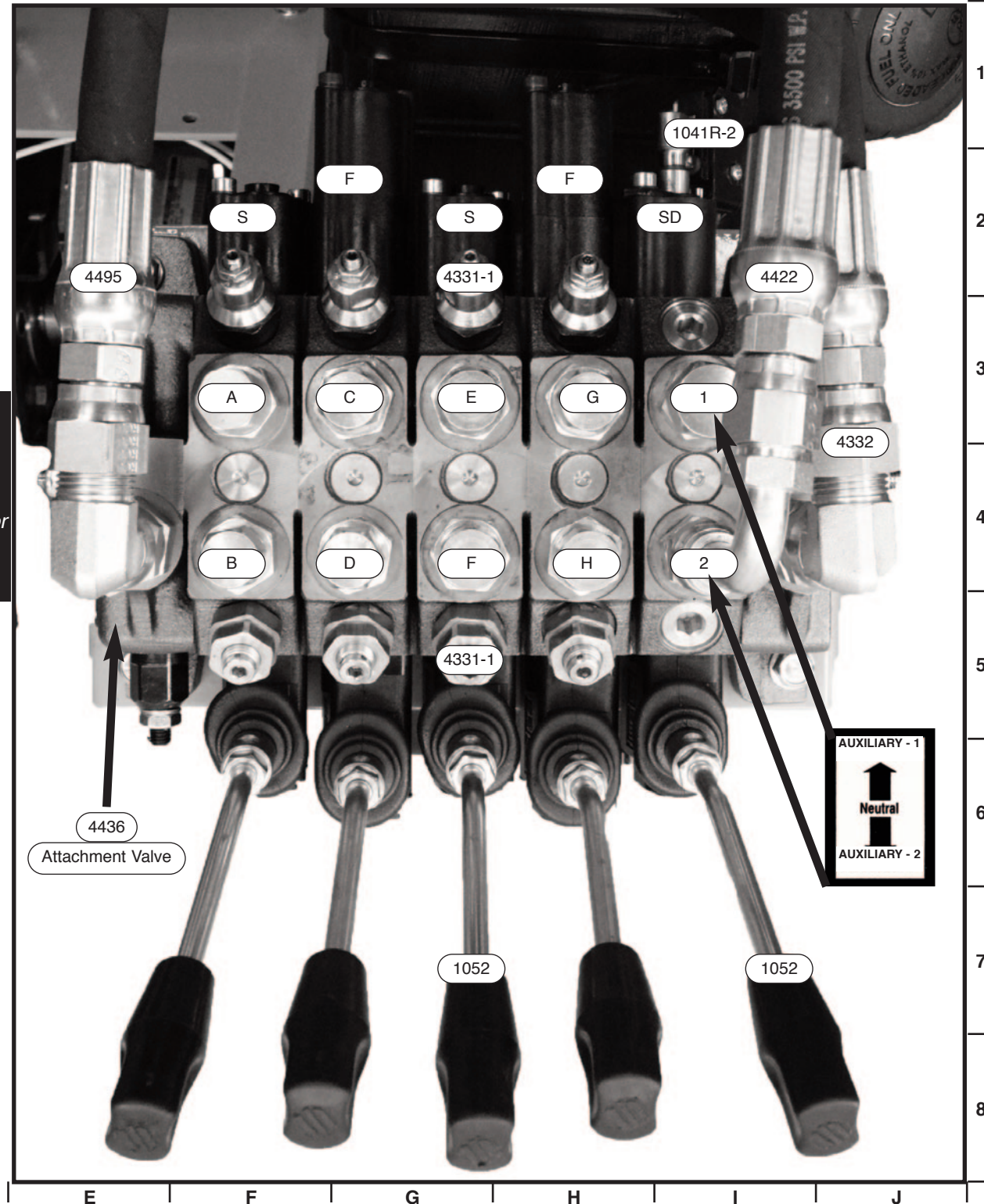


Photo MH-25 Magnatrak MH8500 Hydraulics - Hydraulic Diagram

Parts Identified

- 000515 Hose, soft, 1" x 14"
- 004234 Fan, 9"
- 004235 Track Motor (2)
- 004238 Tandem Piston Pump
- 004238-1 Hose, flow delivery
- 004239 Hyd. Oil Cooler
- 004240 Check Valve
- 004242 Hydraulic Filter
- 004243 Filter Head (Not Shown)
- 004255 Hose, soft, 5/8" x 4 1/2"
- 004256 Hose, soft, 1/4" x 27"
- 004257 Hose, soft, 1/4" x 36"
- 004258 Hose, 5/8" x 27 3/4"
- 004259 Hose, soft, 1" x 25"
- 004279 Hose, 1/2" x 13 1/2"
- 004282 Hose, 1/2" x 9 1/2"
- 004283 Hose, 1/2" x 11 1/2"
- 004284 Hose, 1/4" x 6 1/2" (2)
- 004285 Hose, 1/4" x 9 1/2"
- 004292 Hose, 1/2" x 33"
- 004293 Hose, soft, 1" x 16 1/2"
- 004294 Hose, soft, 1/4" x 29"
- 004295 Hose, soft, 1/4" x 25"
- 004296 Hose, 1/2" x 20"
- 004297 Hose, 1/2" x 19"
- 004332 Hose, 1/2" x 40"
- 004333 Hose, 1/2" x 39"
- 004371 Attachment Pump
- 004421 Hose, 1/2" x 28"
- 004422 Hose, 1/2" x 32"
- 004436 Attachment Valve
- 004440 PFC (regulator valve)
- 004456 Hose, 1/4" x 20"
- 004459 Hose, 1/4" x 2"
- 004495 Hose, 1/2" x 55"
- 004567 Hose, 1/2" x 49"

- Optional (part of D108 or RH65):
- 001128 Backhoe Valve
 - 000840 PTO Motor

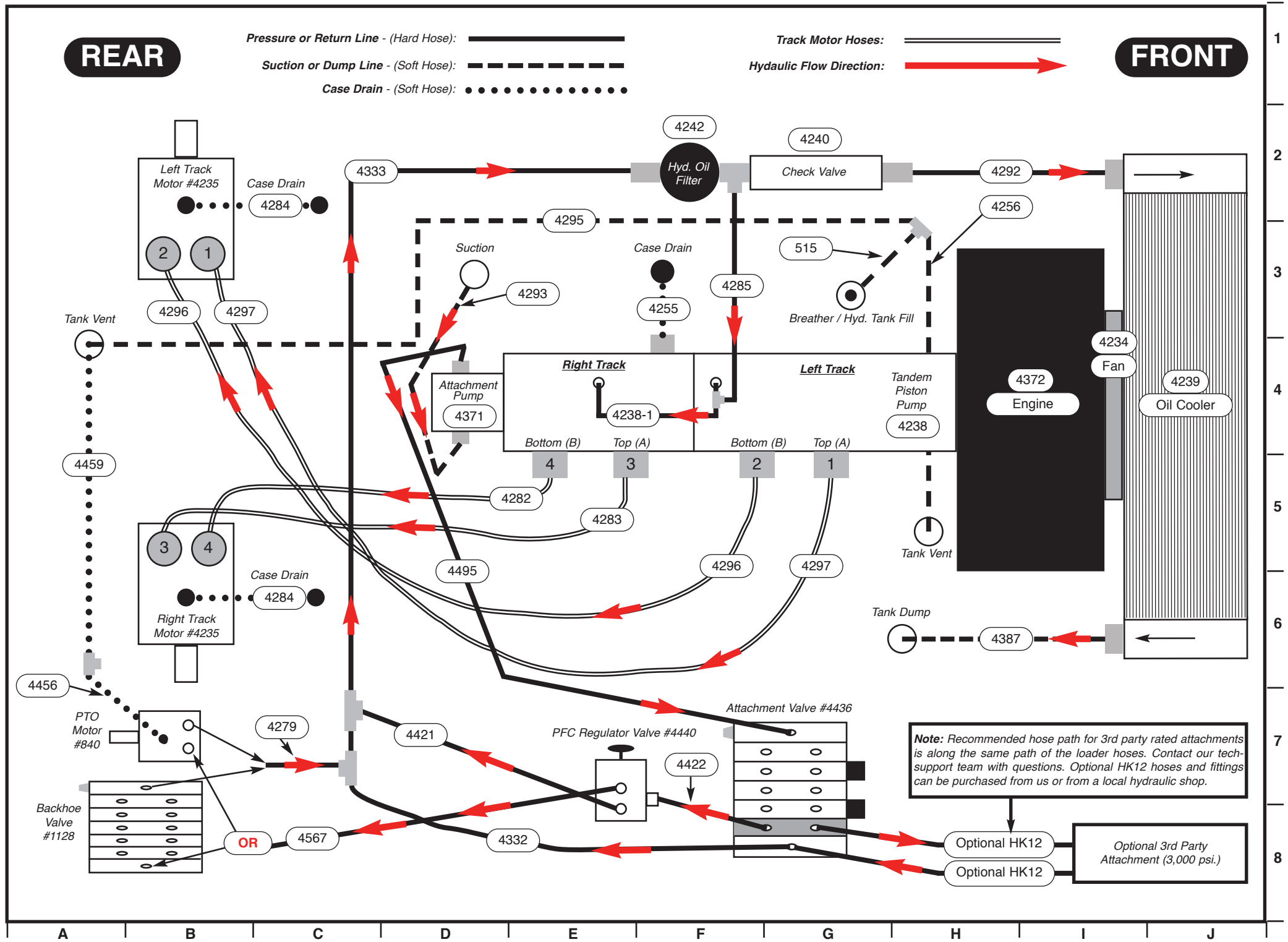


Photo MH-26

Magnatrac MH8500

Drive - Top Rear View

Parts Identified

- 000114 Left Brace
- 000115 Right Brace
- 000208 Rocker Assembly, left
- 000219 Pivot Rod (not shown)
- 000222 Rocker Assembly, right
- 000224 Brake Pull Brackets (4)
- 000225L Left Brake Caliper
- 000225R Right Brake Caliper
- 000246 Evener Rod
- 000252 Bearing & 2 Shells (2)
- 000522 Fitting, 90 case drain (2)
- 000527 Fitting, straight (2)
- 000851 Fitting, 849-FSO-10x10 (2)
- 001235 Snap Ring (4)
- 002583 Shim Washer, 5/8" x 1" 18 GA
- 004002L Left Brake Mount
- 004002R Right Brake Mount
- 004005 Brake Disk Drive (2)
- 004007 #60 Chain (2)
- 004200 Motor Hub Shaft (2)
- 004201L Motor Mount, (L, not shown)
- 004201R Motor Mount, (R, not shown)
- 004202L Left Motor Box
- 004202R Right Motor Box
- 004223L Left Fender
- 004223R Right Fender
- 004235 Track Motor (2)
- 004257 Hose, soft, 1/4 x 36"
- 004261 Pull Rod Assembly
- 004282 Hose, 1/2" x 9 1/2"
- 004283 Hose, 1/2" x 11 1/2"
- 004284 Hose, case drain (2)
- 004294 Hose, soft, 1/4" x 29"
- 004295 Hose, soft, 1/4" x 25"
- 004296 Hose, 1/2" x 20"
- 004297 Hose, 1/2" x 19"
- 004318 Dash, lower
- 004320 Upper Frame

Note

Track motors may differ in appearance & manufacturer.

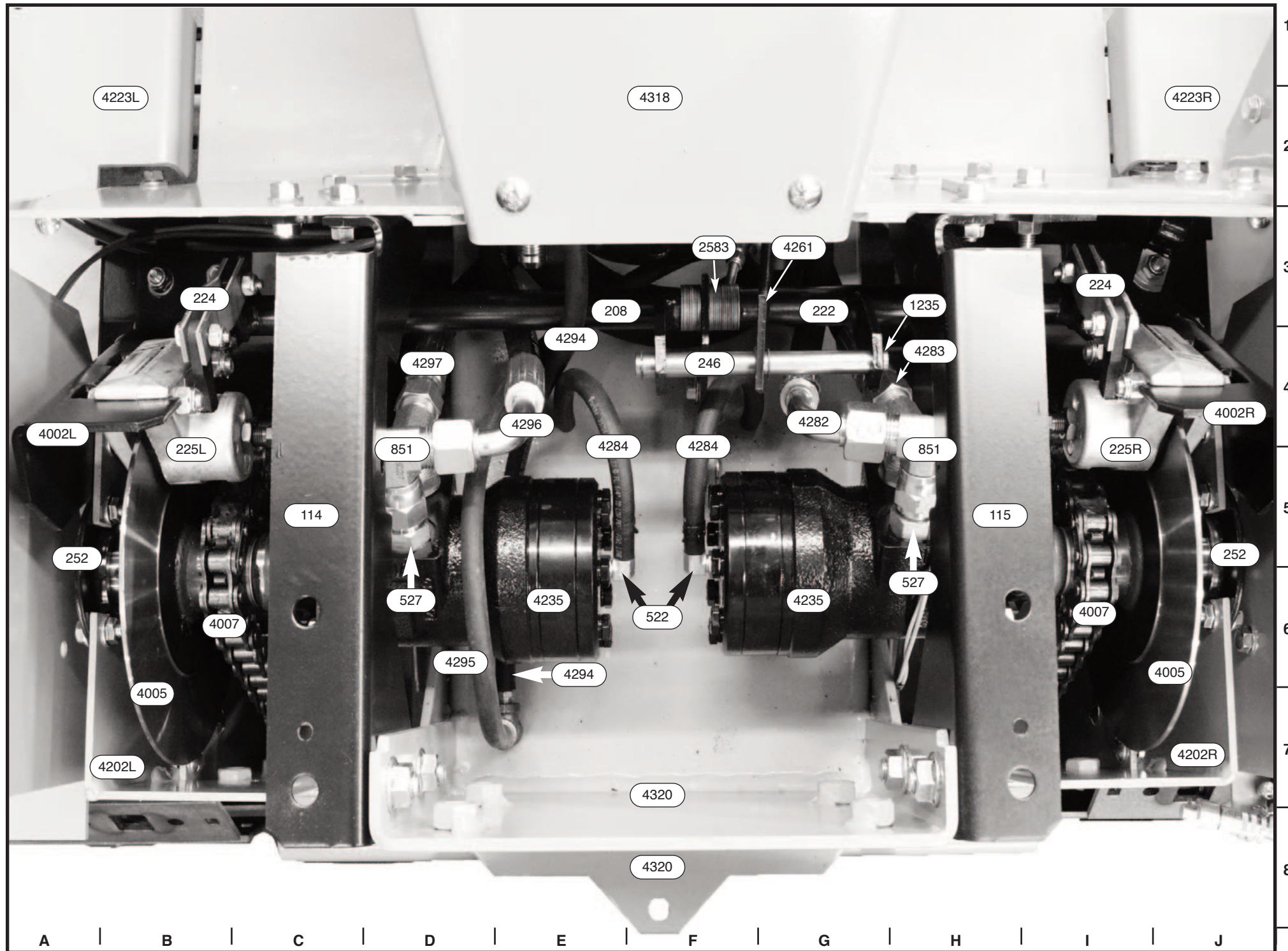


Photo MH-27

Magnatrac MH8500

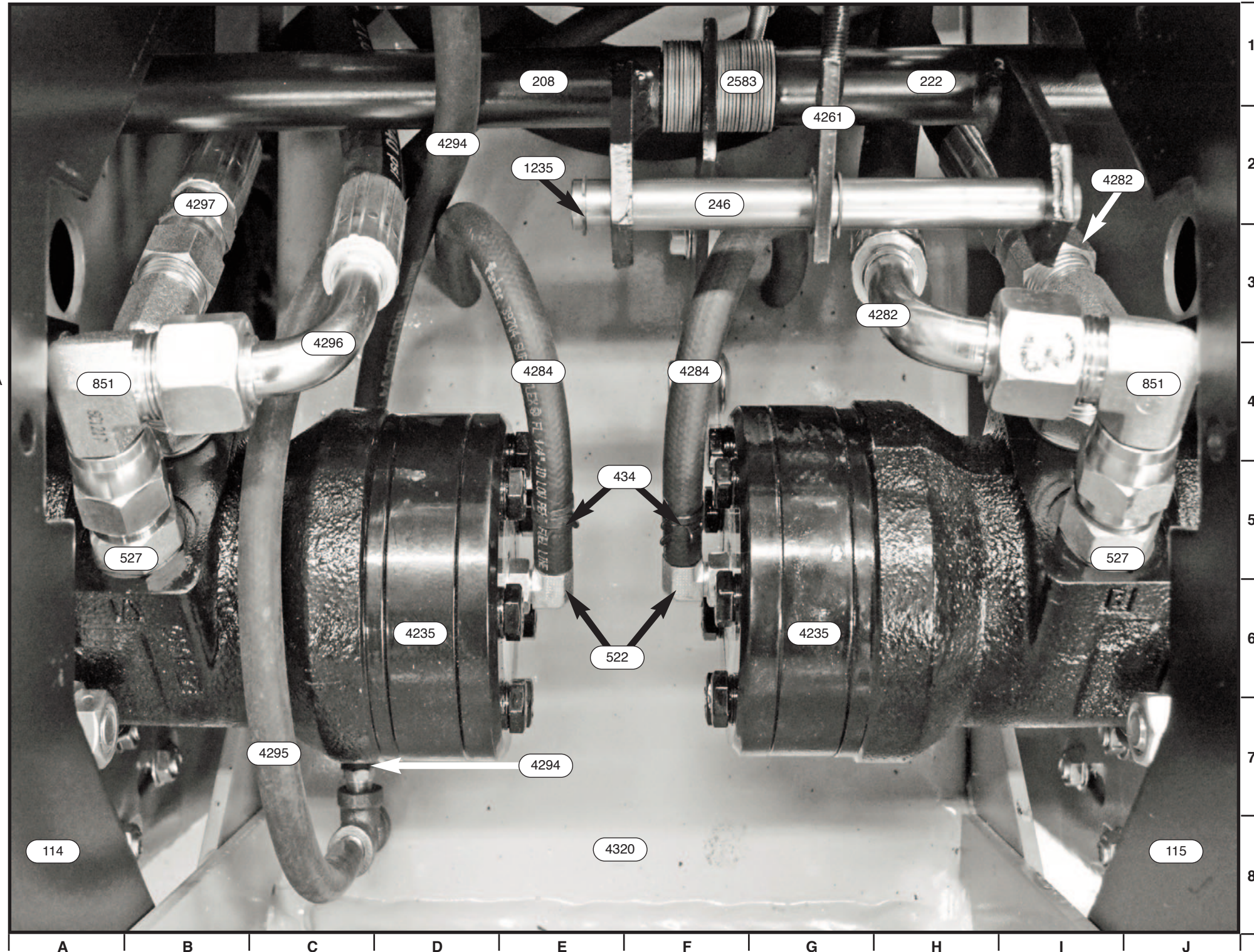
Drive - Close Up Motor View

Parts Identified

- 000114 Left Brace
- 000115 Right Brace
- 000208 Rocker Assembly, left
- 000219 Pivot Rod (not shown)
- 000222 Rocker Assembly, right
- 000246 Evener Rod
- 000522 Fitting, 90 case drain (2)
- 000527 Fitting, straight (2)
- 000851 Fitting, 849-FSO-10x10 (2)
- 001235 Snap Ring (4)
- 002583 Shim Washer, 5/8" x 1" 18 GA
- 004235 Track Motor (2)
- 004261 Pull Rod Assembly
- 004282 Hose, 1/2" x 9 1/2"
- 004283 Hose, 1/2" x 11 1/2"
- 004284 Hose, case drain (2)
- 004294 Hose, soft, 1/4" x 29"
- 004295 Hose, soft, 1/4" x 25"
- 004296 Hose, 1/2" x 20"
- 004297 Hose, 1/2" x 19"
- 004318 Dash, lower
- 004320 Upper Frame

Note

Track motors may differ in appearance and manufacturer.



114

4320

115

A B C D E F G H I J

1
2
3
4
5
6
7
8

Photo MH-28

Magnatrac MH8500

Drive - Top Right Side View

Parts Identified

- 000225R Right Brake Caliper
- 000246 Evener Rod
- 000252 Bearing & 2 Shells (2)
- 000522 Fitting, 90 case drain (2)
- 000527 Fitting, straight (2)
- 000851 Fitting, 849-FSO-10x10 (2)
- 004002L Left Brake Mount
- 004002R Right Brake Mount
- 004005 Brake Disk Drive (2)
- 004007 #60 Chain (2)
- 004200 Motor Hub Shaft (2)
- 004201L Motor Mount, (L, not shown)
- 004201R Motor Mount, (R, not shown)
- 004202L Left Motor Box
- 004202R Right Motor Box
- 004223L Left Fender
- 004223R Right Fender
- 004235 Track Motor (2)
- 004279 Hose, 1/2" x 13 1/2"
- 004282 Hose, 1/2" x 9 1/2"
- 004283 Hose, 1/2" x 11 1/2"
- 004296 Hose, 1/2" x 20"
- 004297 Hose, 1/2" x 19"
- 004320 Upper Frame
- 004332 Hose, 1/2" x 40"
- 004333 Hose, 1/2" x 26"
- 004495 Hose, 1/2" x 55"
- 004567 Hose, 1/2" x 49"

Note

Shown without parking brake linkage, case drain PTO hoses, some attachment hoses, and left and right braces for clarity. Track motors may differ in appearance and manufacturer.

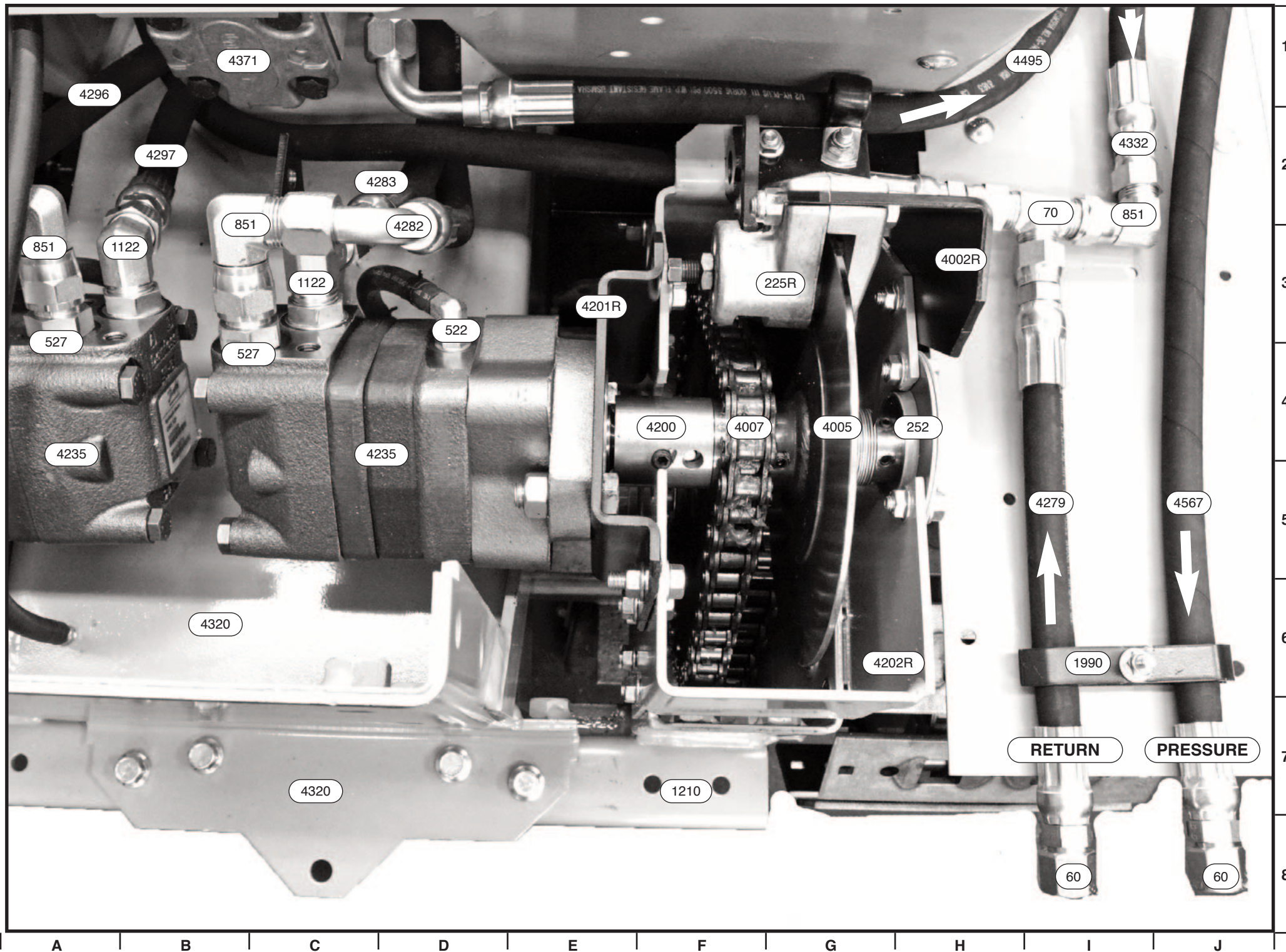


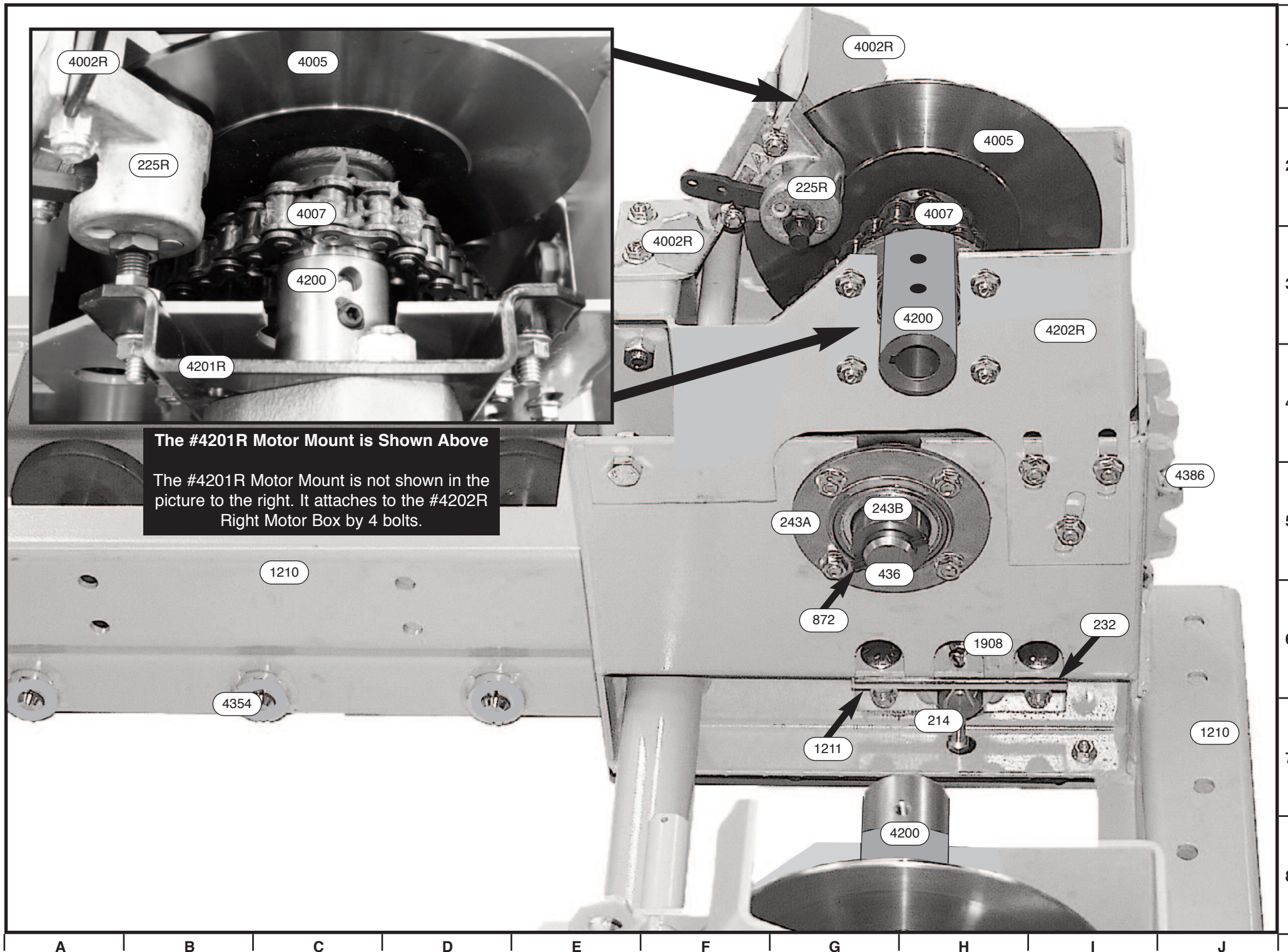
Photo MH-29

Magnatrac MH8500

Drive - Inside Right View

Parts Identified

- 000214 Rear Axle
- 000225R Brake Caliper, right
- 000232 Shims, #80 chain
- 000244 Spring Pin, 1/4" x 1 1/2"
- 000436 Shaft
- 000872 Roll Pin
- 001210 Lower Frame
- 001211 Axle Support
- 001908 Cotter Pin, 3/16" x 1 3/4"
- 004002R Brake Mount, right
- 004005 Disk Drive
- 004007 Chain, #60
- 004200 Hub Shaft
- 004002R Right Brake Mount
- 004201R Motor Mount, right
- 004202R Motor Box, right
- 004354 Center Axles
- 004386 Rear Drive

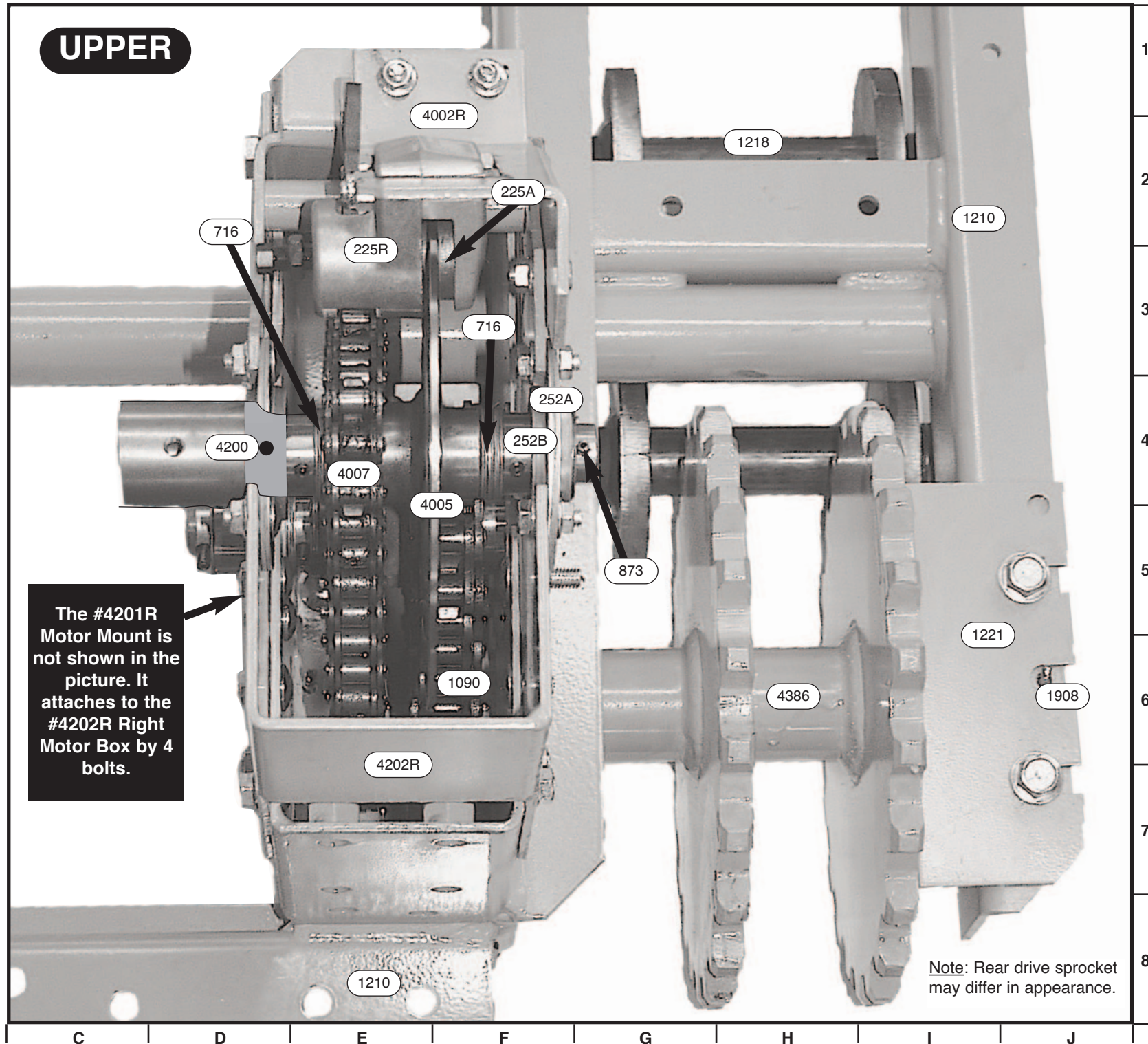


The #4201R Motor Mount is Shown Above
 The #4201R Motor Mount is not shown in the picture to the right. It attaches to the #4202R Right Motor Box by 4 bolts.

Photo MH-30 Magnatrac MH8500 Drive - Upper Right, Disk Drive View

Parts Identified

000225R	Brake Caliper Right
000225A	Brake Pad
000252A	Bearing Shells (2 per bearing)
000252B	Bearing (2)
000714	Key, 1/4" x 1 3/4" (Not shown)
000716	Washer
000873	Roll Pin, 3/16" x 2"
001090	Chain, #80
001210	Lower Frame
001218	Center Idlers (5)
001221	Cover
001908	Cotter Pin, 3/16" x 1 3/4"
004002R	Brake Mount, right
004005	Disk Drive
004007	Chain, #60
004200	Hub Shaft
004202R	Motor Box, right
004386	Rear Drive



The #4201R Motor Mount is not shown in the picture. It attaches to the #4202R Right Motor Box by 4 bolts.

Note: Rear drive sprocket may differ in appearance.

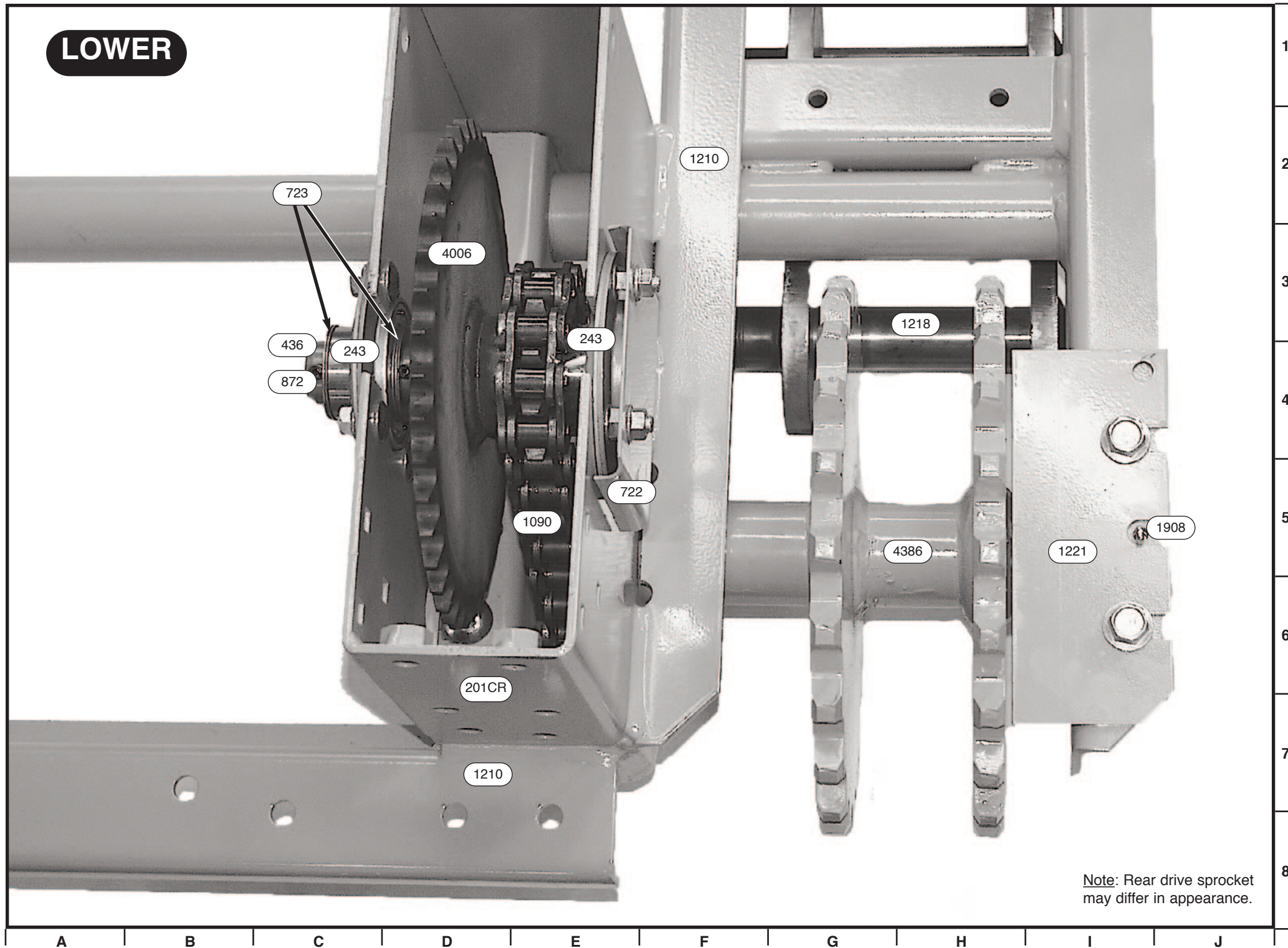
Photo MH-31

Magnatrac MH8500

Drive - Lower Right, Primary Drive View

Parts Identified

- 000201CR Box
- 000243A Bearing Shells (4)
- 000243B Bearing (2)
- 000436 Shaft
- 000722 Guard
- 000723 Washers
- 000872 Roll Pin
- 000874 Key, (Not Shown)
- 001090 Chain, #80
- 001210 Lower Frame
- 001218 Center Idlers, 4 1/2"
- 001221 Guard
- 001908 Cotter Pin, 3/16" x 1 3/4"
- 004006 Primary Drive
- 004386 Rear Drive

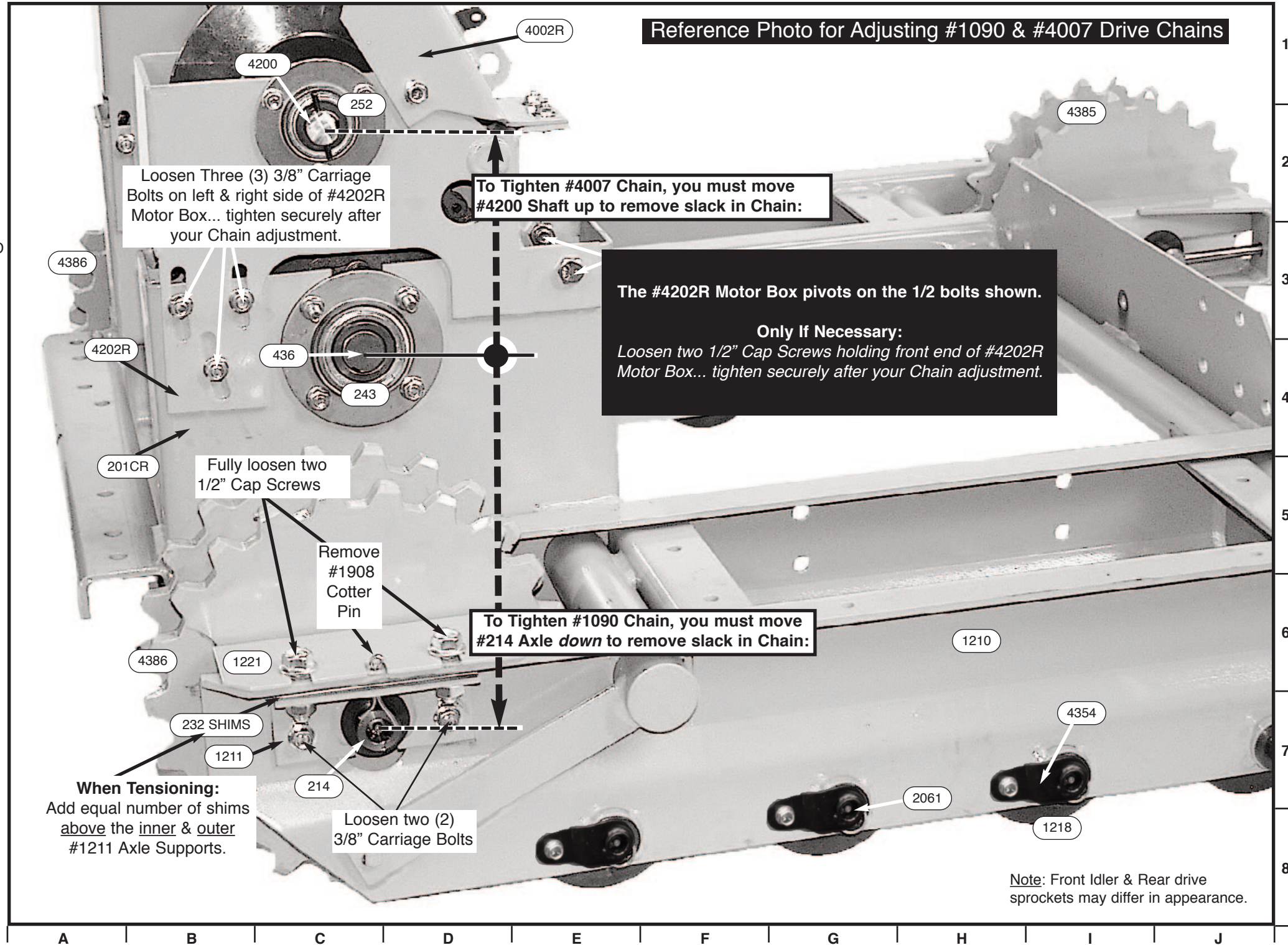


Note: Rear drive sprocket may differ in appearance.

Photo MH-32 Magnatrac MH8500 Drive - Right Side View

Parts Identified

000201CR	Box
000214	Rear Axle
000232	Shims
000242	Washer, 1 1/2"OD x 7/8"ID
000243	Bearing
000244	Spring Pin, 1/4" x 1 1/2"
000252	Bearing
000436	Shaft
001210	Lower Frame
001211	Axle Support
001218	Center Idlers, 4 1/2"
001221	Guard
001908	Cotter Pin
002061	Grease Zerk, 1/8" NPT
004002R	Brake Mount, (Right)
004200	Hub Shaft
004202R	Motor Box, (Right)
004354	Center Axes
004385	Front Idler
004386	Rear Drive



Reference Photo for Adjusting #1090 & #4007 Drive Chains

Loosen Three (3) 3/8" Carriage Bolts on left & right side of #4202R Motor Box... tighten securely after your Chain adjustment.

To Tighten #4007 Chain, you must move #4200 Shaft up to remove slack in Chain:

The #4202R Motor Box pivots on the 1/2 bolts shown.

Only If Necessary:
Loosen two 1/2" Cap Screws holding front end of #4202R Motor Box... tighten securely after your Chain adjustment.

Fully loosen two 1/2" Cap Screws

Remove #1908 Cotter Pin

To Tighten #1090 Chain, you must move #214 Axle down to remove slack in Chain:

When Tensioning:
Add equal number of shims above the inner & outer #1211 Axle Supports.

Loosen two (2) 3/8" Carriage Bolts

Note: Front Idler & Rear drive sprockets may differ in appearance.

Photo MH-33

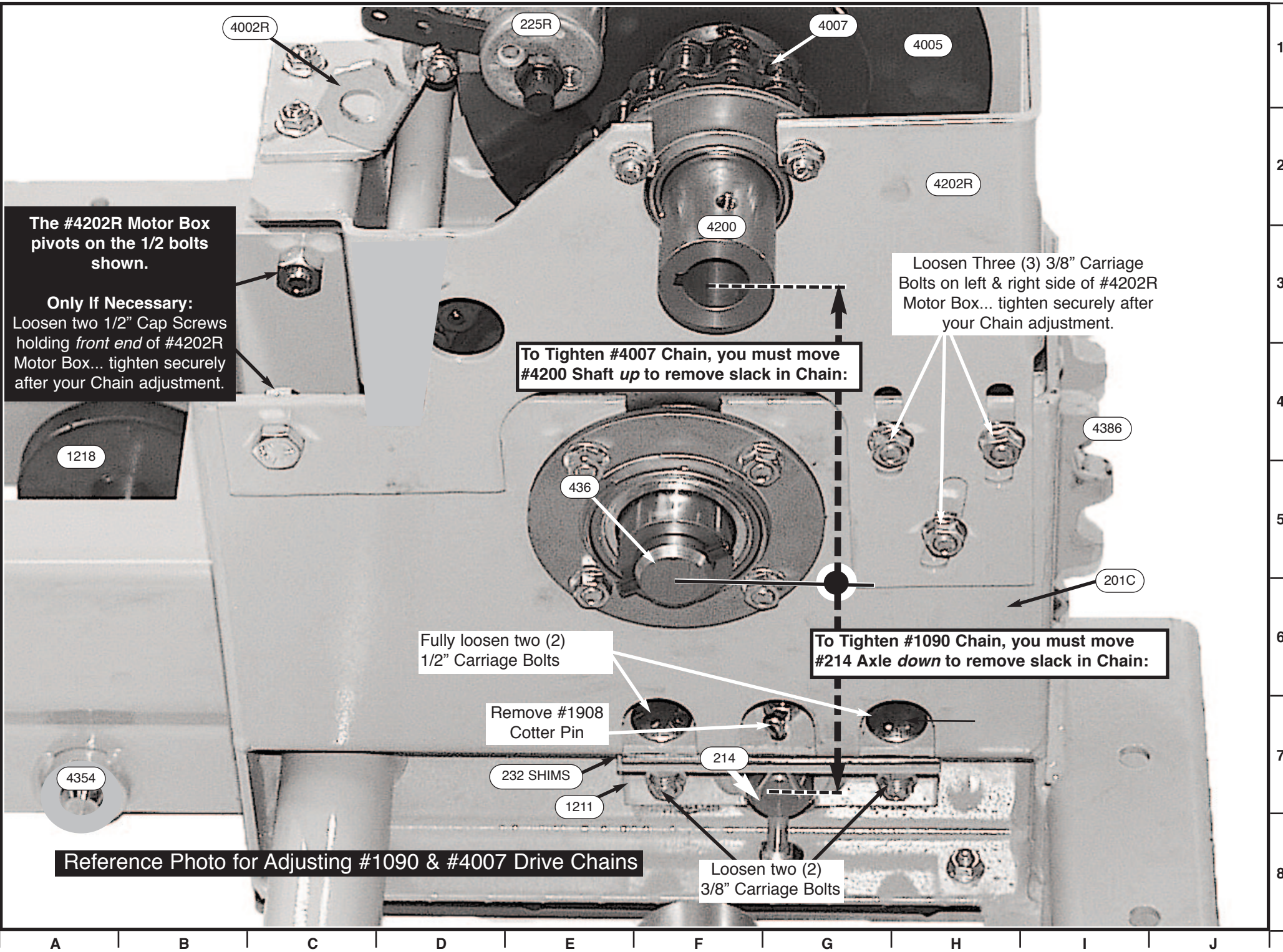
Magnatrac MH8500

Drive - Inside Right

Side View

Parts Identified

- 000214 Rear Axle
- 000225R Brake Caliper, right
- 000232 Shims
- 000436 Shaft
- 000722 Guard
- 000727 Snap Ring
- 001211 Axle Support
- 001218 Idler
- 001908 Cotter Pin
- 004002R Brake Mount
- 004005 Disk Drive
- 004007 Chain, #60
- 004200 Hub Shaft
- 004202R Motor Box, (Right)
- 004354 Center Axles



The #4202R Motor Box pivots on the 1/2 bolts shown.

Only If Necessary:
Loosen two 1/2" Cap Screws holding front end of #4202R Motor Box... tighten securely after your Chain adjustment.

To Tighten #4007 Chain, you must move #4200 Shaft up to remove slack in Chain:

Loosen Three (3) 3/8" Carriage Bolts on left & right side of #4202R Motor Box... tighten securely after your Chain adjustment.

Fully loosen two (2) 1/2" Carriage Bolts

Remove #1908 Cotter Pin

To Tighten #1090 Chain, you must move #214 Axle down to remove slack in Chain:

Loosen two (2) 3/8" Carriage Bolts

Reference Photo for Adjusting #1090 & #4007 Drive Chains

Photo MH-34

Magnatrac MH8500

Track - Lower Frame, Left Rear View

Parts Identified

- | | |
|---------------|-----------------------------|
| 000226 | O-ring |
| 000227 | Knurled Washer |
| 000232 | Shim |
| 000234 | Spring, black, (2) |
| 000235 | Washer |
| 000239 | Bushing, oilite |
| 000240 | O-ring |
| 000242 | Washer |
| 000243 | Bearing |
| 000252 | Bearing |
| 000262 | Tube |
| 000436 | Shaft |
| 000704 | Washer |
| 000705 | Washer, thick |
| 000707 | Bushing, oilite |
| 000716 | Washer |
| 000727 | Snap Ring |
| 000873 | Roll Pin |
| 001030 | Tension Rod |
| 001211 | Axle Support |
| 001218 | Center Idlers (5/side) |
| 002061 | Grease Zerk |
| 004200 | Motor Hub Shaft |
| 004201L | Motor Mount, left |
| 004202L | Motor Box, left |
| 004385 | Front Idler |
| 004386 | Rear Drive |
| 004235 | Track Motor |
| 004354 | Axle, idler (5/side) |
| Bolt-5/16-121 | 5/16-18x 3/4 Spin-Lock Bolt |
| Nut-5/16-231 | 5/16-18 Spin-Lock Nut |

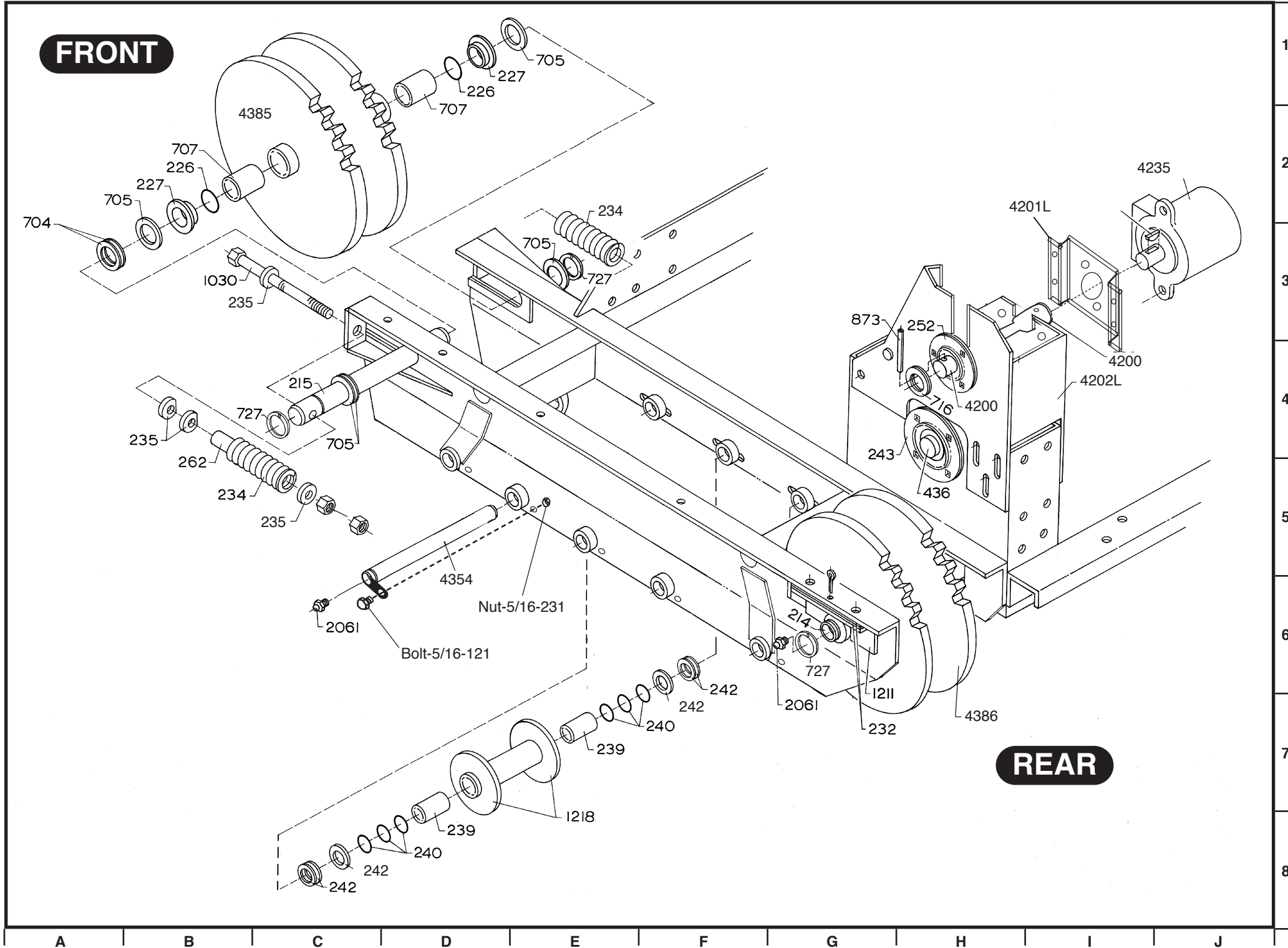


Photo MH-35 Magnatrac MH8500 Drive - Upper & Lower Box, Left Rear View

Parts Identified

- 000208 Rocker assembly, left
- 000214 Rear Axle
- 000219 Pivot rod
- 000224 Brake Pulls
- 000225L Brake Assembly
- 000232 Shim
- 000243 Bearing Assembly
- 000243A Bearing Shell
- 000243B Bearing
- 000246 Evener rod
- 000252 Bearing Assembly
- 000252A Bearing Shell
- 000252B Bearing
- 000714 Key
- 000716 Washer 1"
- 000722 Guard
- 000723 Washer
- 000724 Primary Drive
- 000872 Roll Pin
- 000874 Key
- 001211 Axle Support
- 001908 Cotter Pin
- 002583 Washer 5/8
- 004002L Brake Mount, left
- 004005 Disk Drive
- 004006 Primary Drive
- 004007 #60 Chain
- 004200 Motor Hub Shaft
- 004201L Motor Mount, left
- 004202L Motor Box, left
- 004235 Track Motor (2)

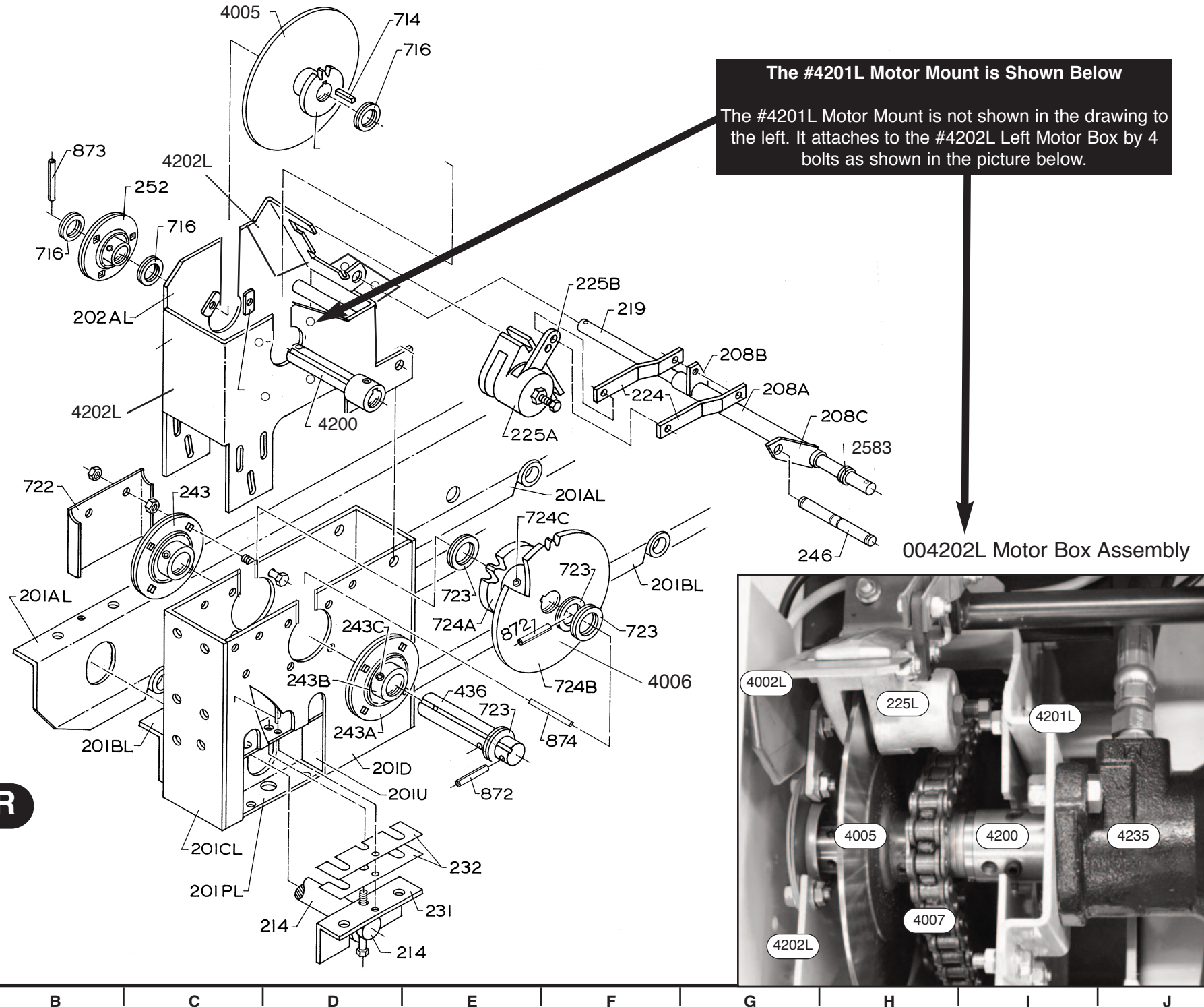
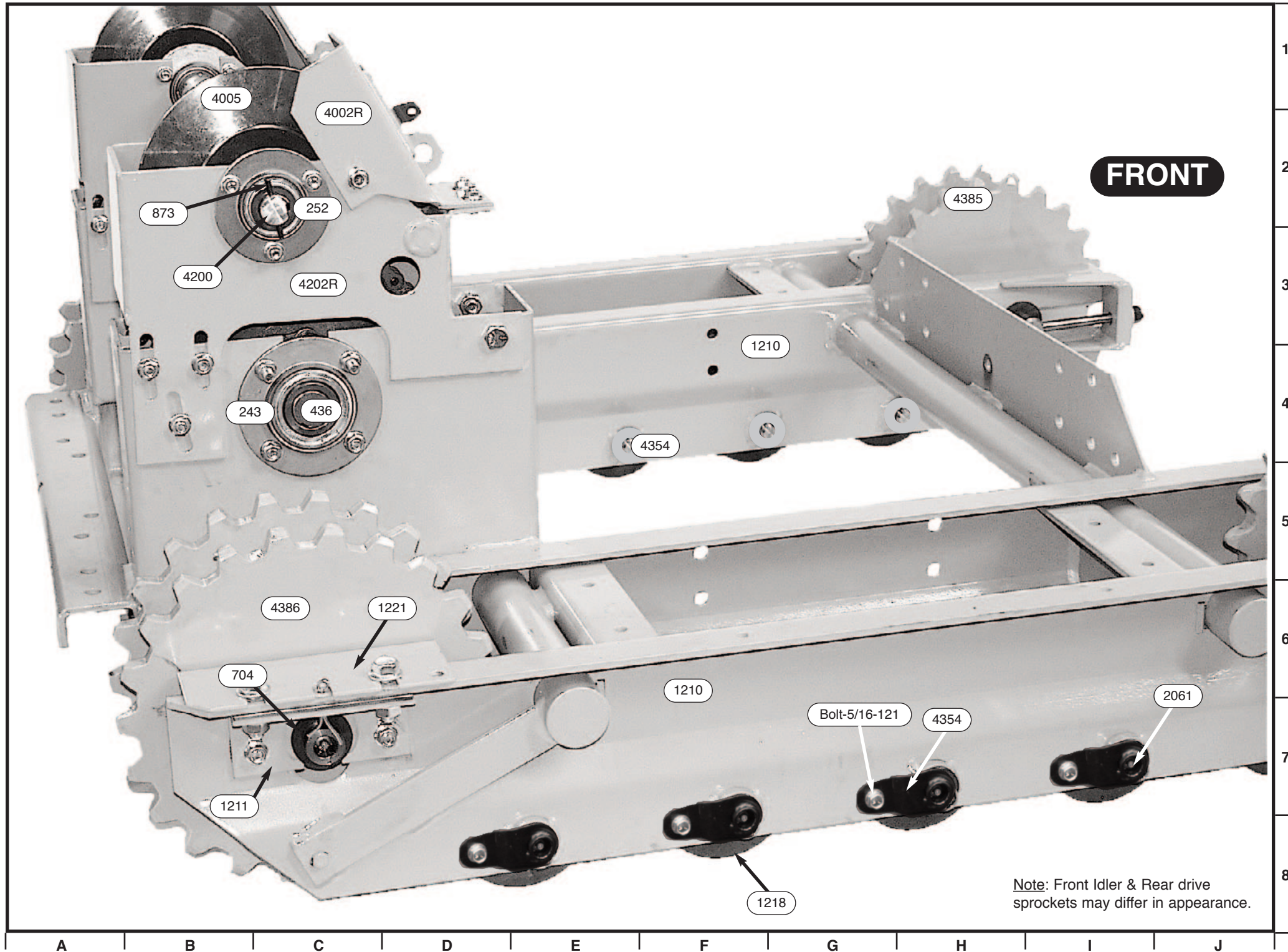


Photo MH-36 Magnatrac MH8500 Track - Right Outside View

Parts Identified

- 000242 Washer
- 000243 Bearing
- 000252 Bearing
- 000436 Shaft
- 000704 Washer
- 000873 Roll Pin
- 001210 Lower Frame
- 001211 Axle Support
- 001218 Center Idlers
- 001221 Guard
- 002061 Grease Zerk, 1/8" NPT
- 004002R Brake Mount, right
- 004005 Disk Drive
- 004200 Hub Shaft
- 004202R Motor Box, right
- 004354 Center Axles
- 004385 Front Idler
- 004386 Rear Drive

- Bolt-5/16-121 5/16-18x 3/4 Spin-Lock Bolt
- Nut-5/16-231 5/16-18 Spin-Lock Nut (Not Shown)



Note: Front Idler & Rear drive sprockets may differ in appearance.

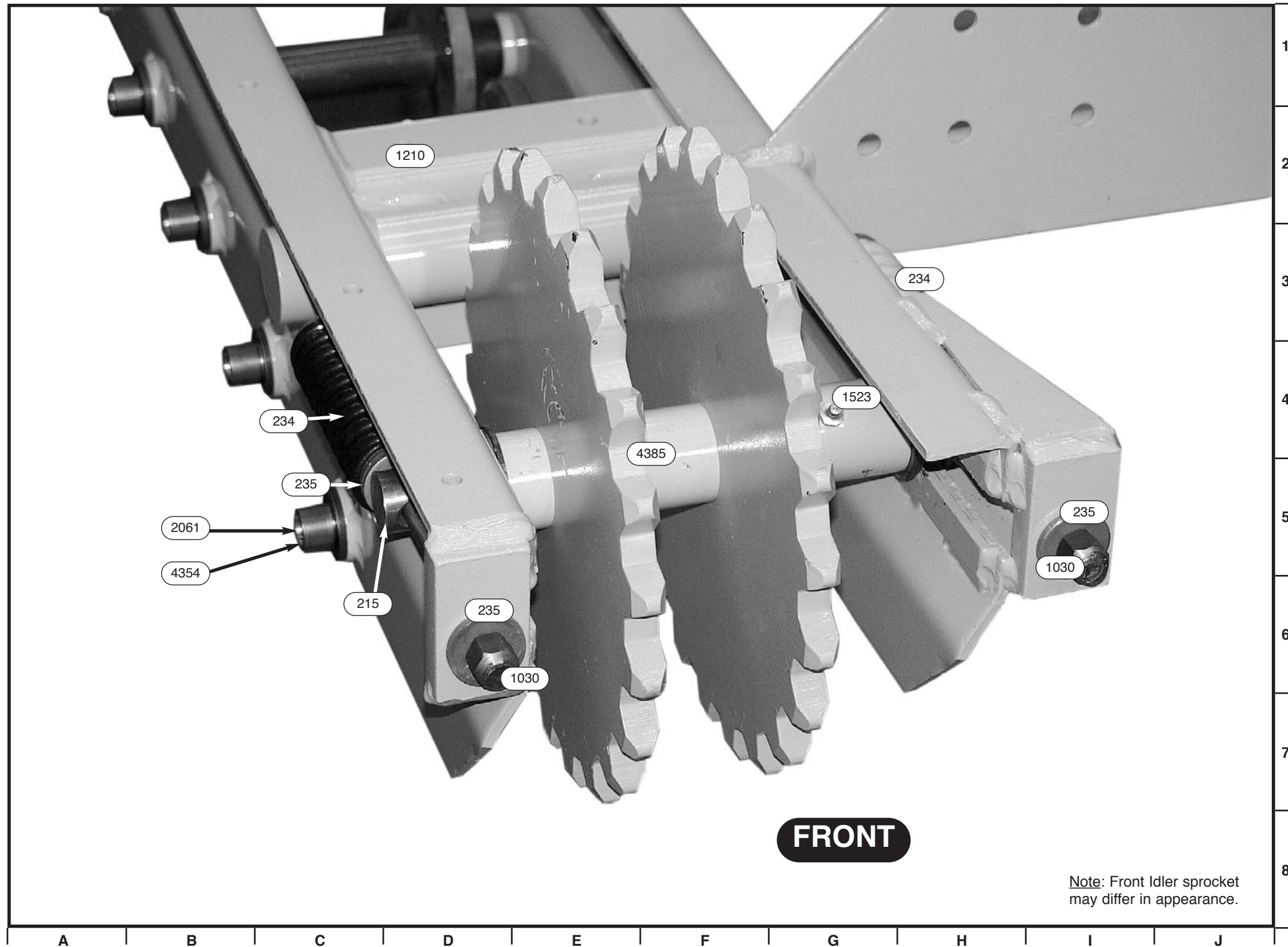
Photo MH-37

Magnatrac MH8500

Track - Right Front View

Parts Identified

- 000215 Axle, Idler Sprocket
- 000234 Spring, Black
- 000235 Washer
- 000242 Washer
- 001030 Tension Rod
- 001210 Lower Frame
- 001523 Grease Zerk, 45 Deg.
- 002061 Grease Zerk, 1/8" NPT
- 004354 Center Axles
- 004385 Front Idler



FRONT

Note: Front Idler sprocket may differ in appearance.

Photo MH-38

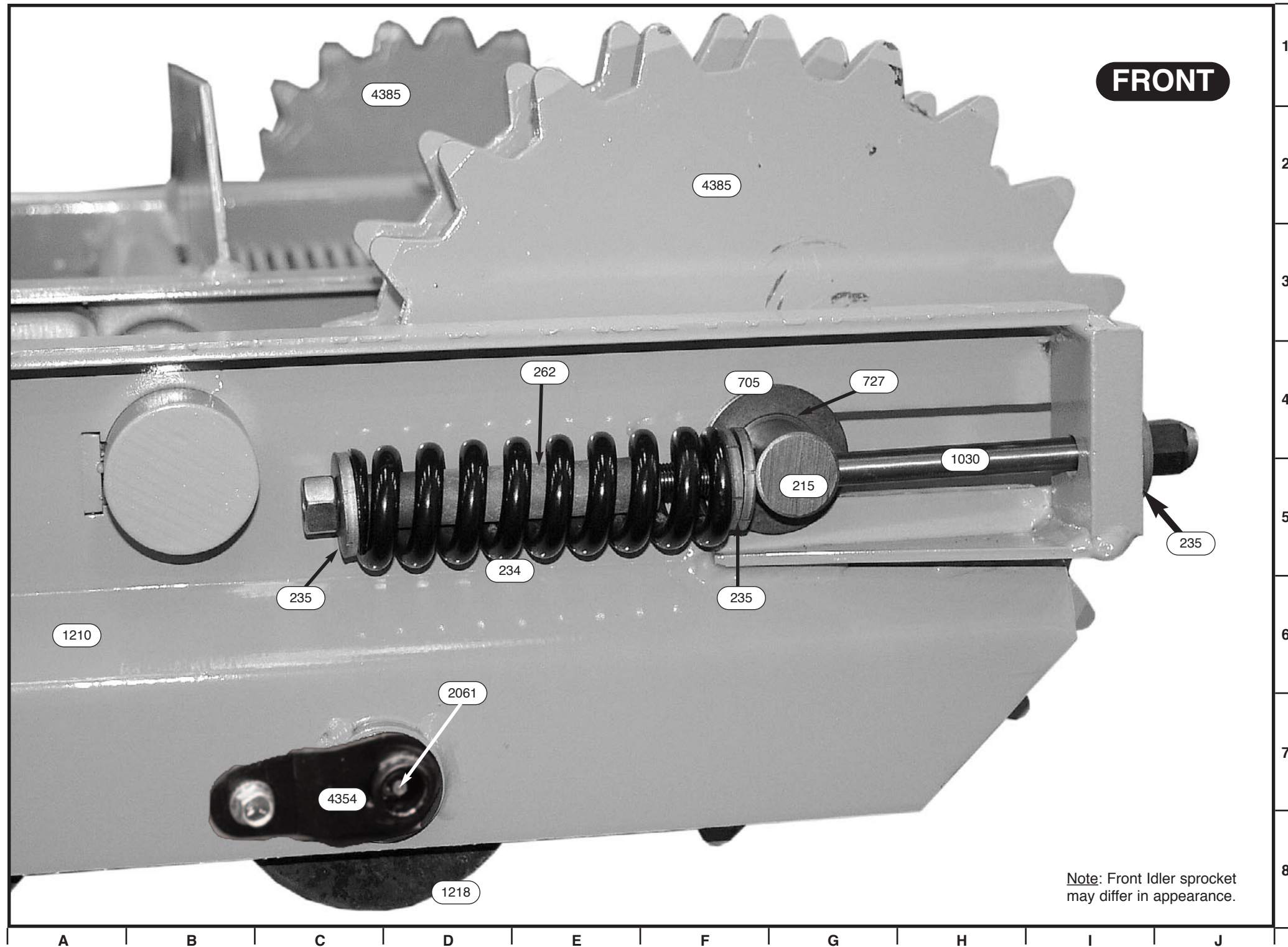
Magnatrac MH8500

Track - Right Side

View

Parts Identified

- 000215 Front Axle
- 000234 Spring, black
- 000235 Washer (4)
- 000242 Washer
- 000262 Tube
- 000705 Washer
- 000727 Snap Ring, coiled, 1 3/16"
- 001030 Tension Rod
- 001210 Lower Frame
- 001218 Center Idlers
- 002061 Grease Zerk, 1/8" NPT
- 004354 Center Axles
- 004385 Front Idler



Note: Front Idler sprocket may differ in appearance.

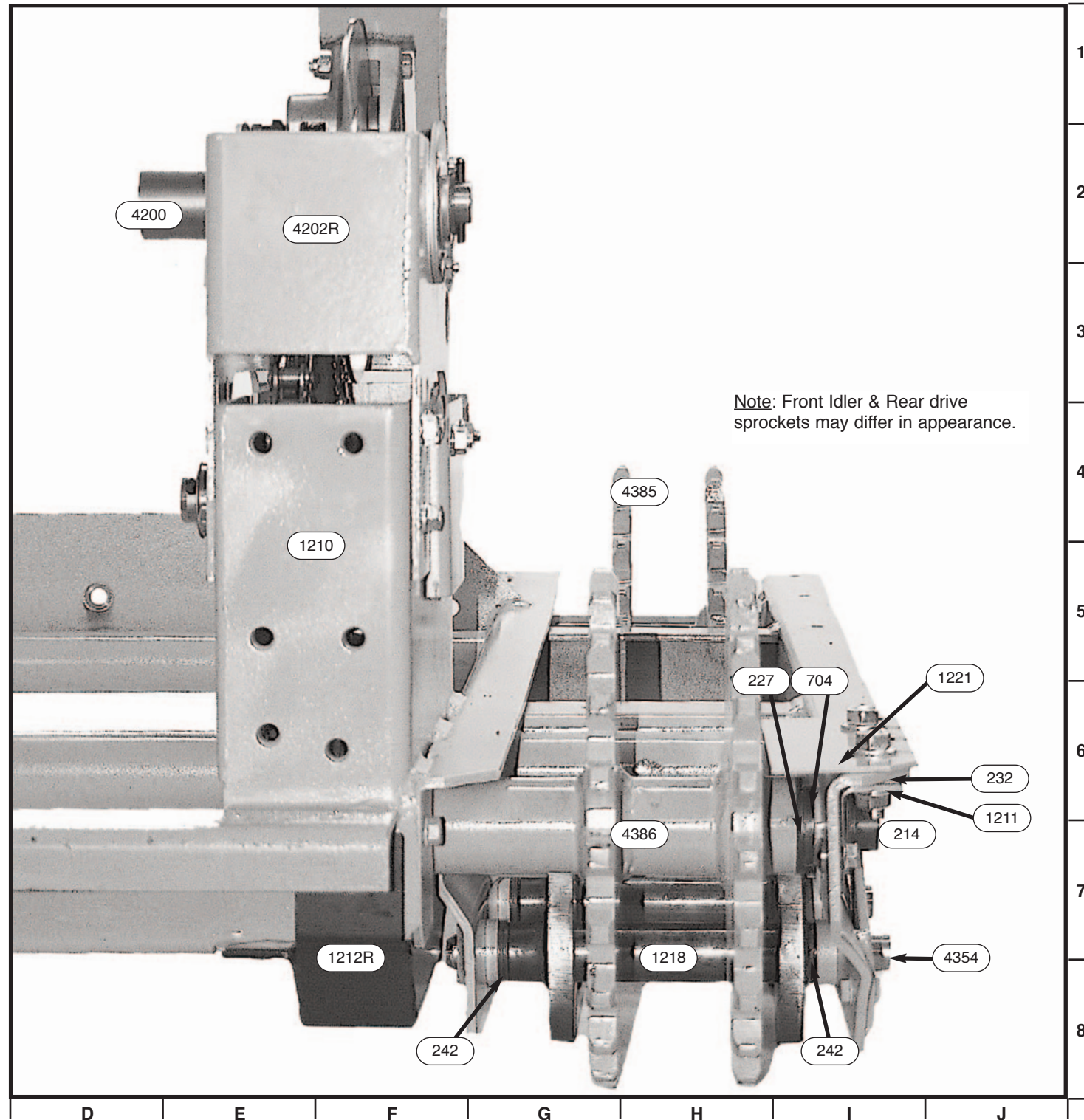
Photo MH-39

Magnatrac MH8500

Track - Right Rear View

Parts Identified

- 000214 Rear Axle
- 000227 Knurled Washer
- 000232 Shim
- 000242 Washer
- 000722 Guard
- 001210 Lower Frame
- 001211 Axle support
- 001212R Chain Guard, right
- 001218 Idler
- 001221 Guard
- 004202R Motor Box, right
- 004354 Center Axles
- 004385 Front Idler
- 004386 Rear Drive



A | B | C | D | E | F | G | H | I | J

Photo MH-40 Magnatrac MH8500 Track - Left Inside View

Parts Identified

- 000244 Spring Pin, 1/4" x 1 1/2"
- 001090 Chain, #80
- 001210 Lower Frame
- 001212L Chain Guard, left
- 004354 Center Axles
- 004386 Rear Drive

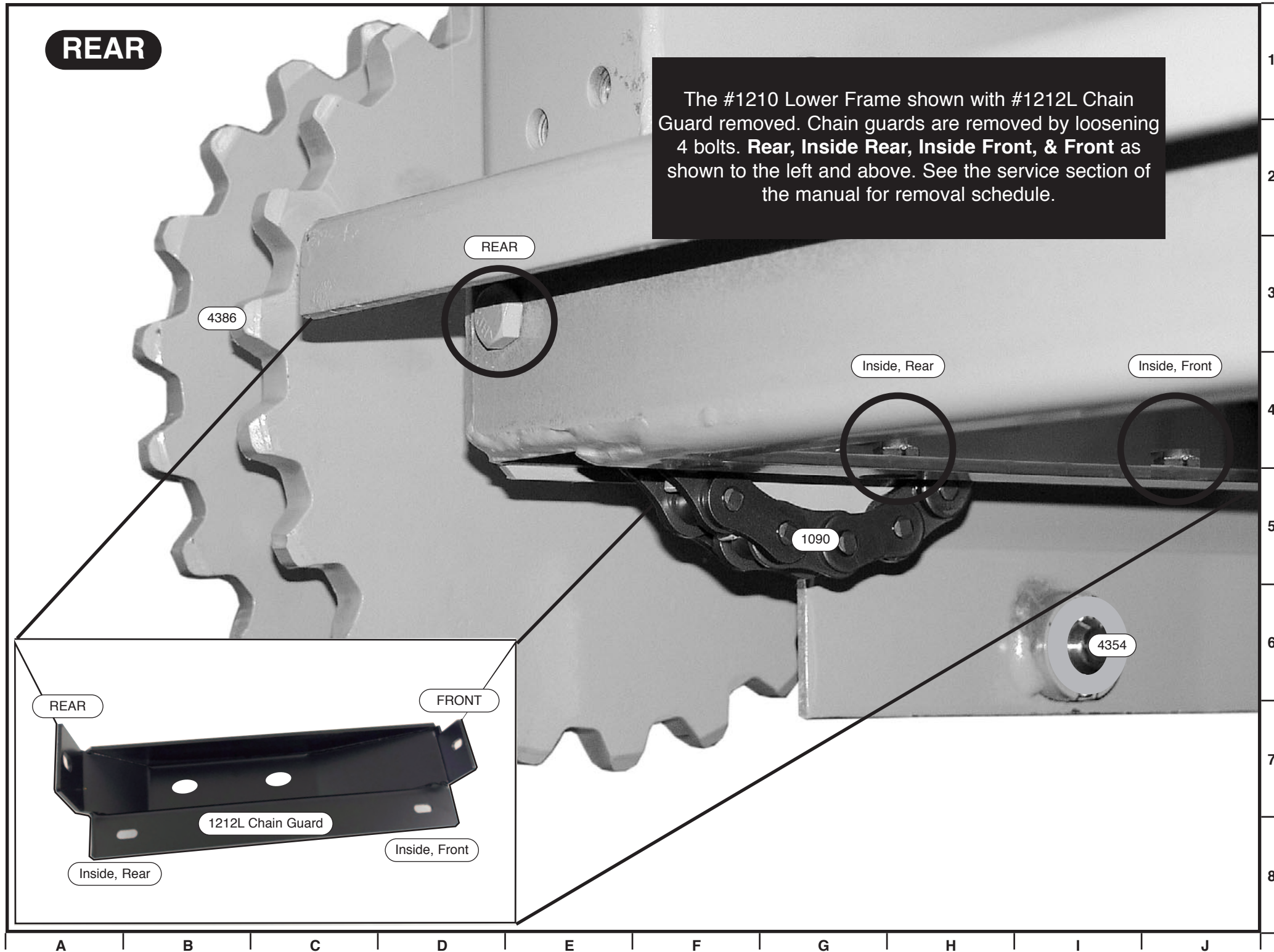


Photo MH-41

Magnatrac

MH8500

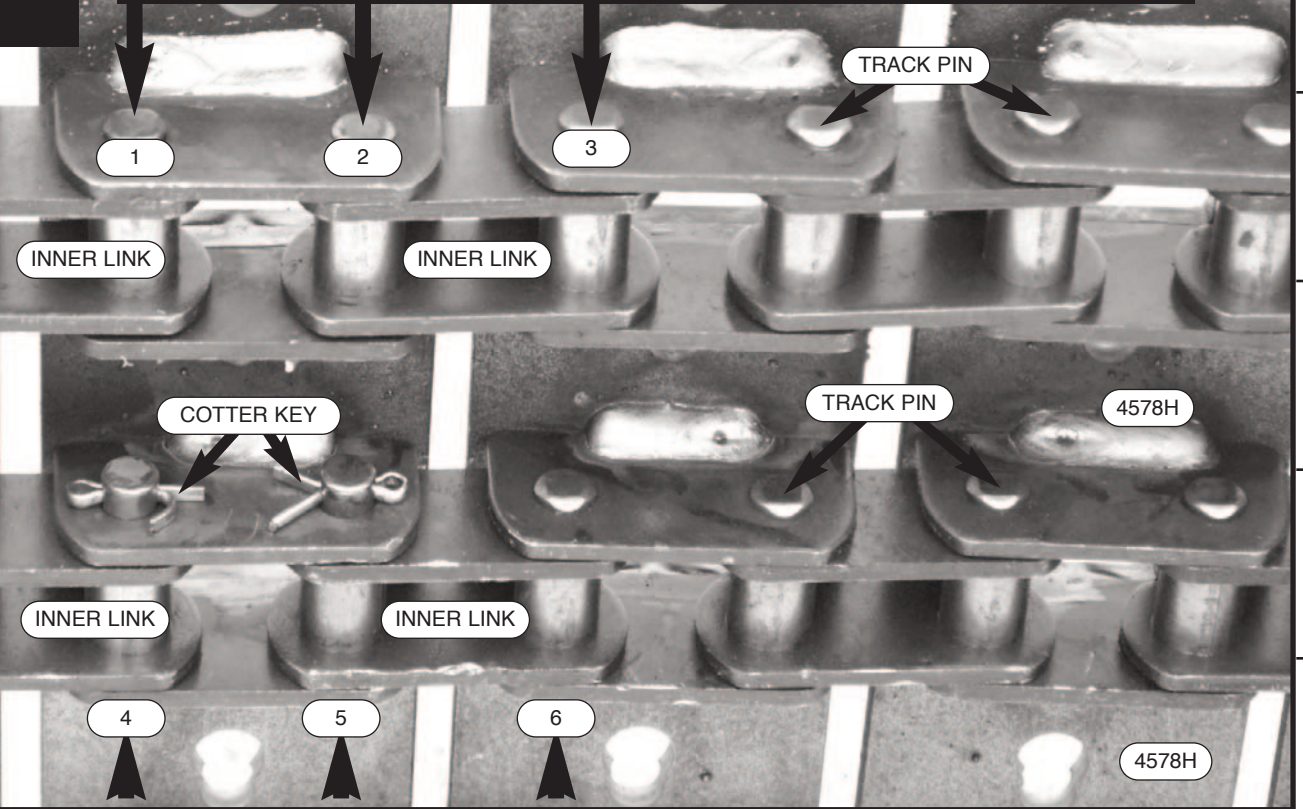
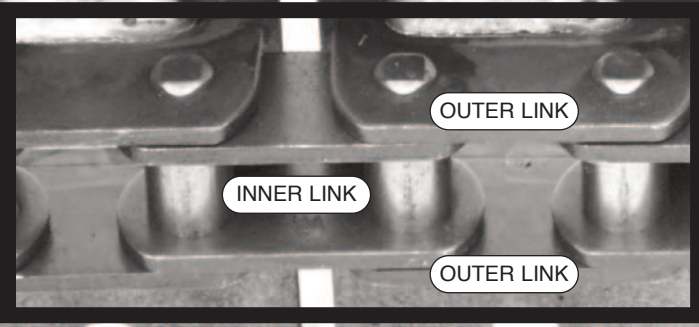
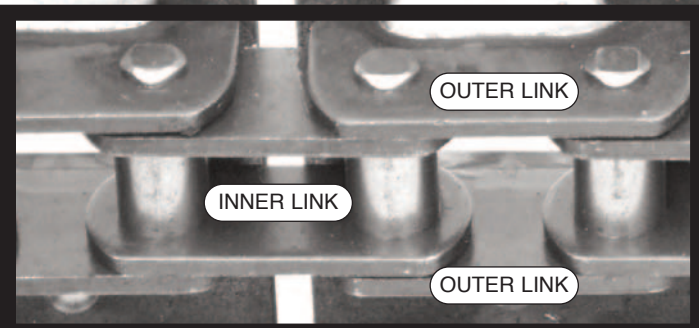
Track - Chain View

Parts Identified

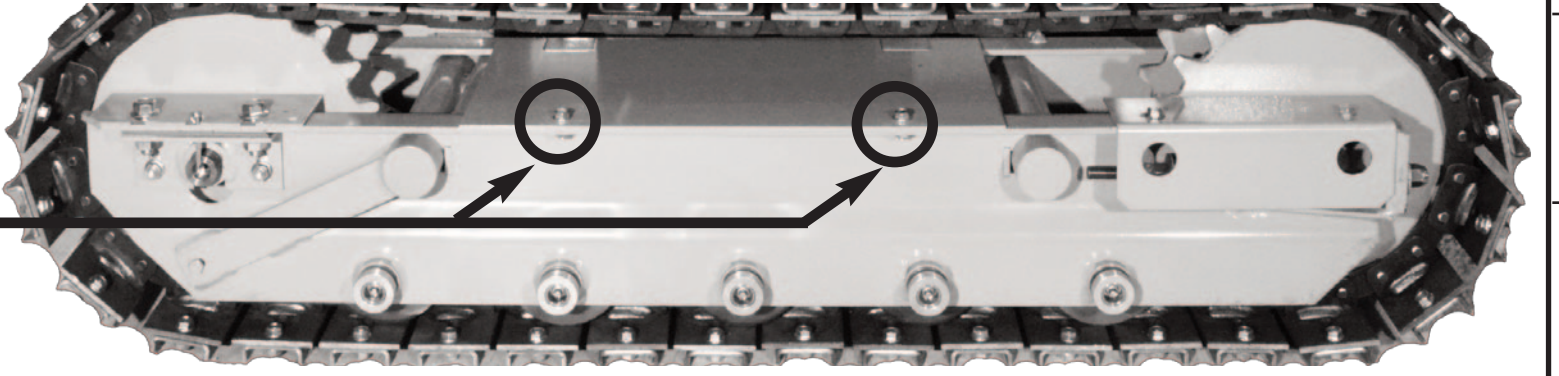
- 001599F Inner Link
- 004578H Plate w/outer links
- 001599E Track Pin w/cotter key

NOTE: To extend the life of your track chains, we advise to lubricate (brush on) the full length of both track chains in this area, shown below with **SAE 30 weight oil (non-detergent)**. A more expensive, but cleaner option is to use a spray lubricant, such as: **non detergent aerosol Chain & Wire Rope Lubricant. We use CRC® brand, Grainger® Item #2F139.** Both of these methods are acceptable lubrication options.

NOTE: To take a full track plate out of our tracks, grind down the “heads” of the (6) track pins (#1-6), so they are flat with the outer link. Then use lubrication, and a “vise-grip” locking pliers and a long 1/4” bolt or 1/4” punch with hammer, to drive the track pin through to the center of the tracks. (See track pins #1-6). Once plate is removed, use 1599E Track pin with cotter key to reconnect tracks. Bend cotter keys as shown.



NOTE: To access the track chains for lubrication, please loosen and remove these 2 bolts that attach the idler cover or MS32 - Mud/Ice Scraper to each side of the machine. (See photo to right)



Note
Track chain and track plate design may vary from what is shown.