

Photo MH-1

Magnatrac MH4900

Overview - No Attachment View

This section of your Magnatrac MH4900 *Operator/ Technical Manual* is designed to help you quickly locate parts and assemblies you will need to identify to properly maintain and service your Magnatrac.

The following Part Photo pages represent the majority of the basic parts and assemblies that make up a MAGNATRAC MH4900. The photos are used to familiarize yourself with the complete MAGNATRAC from various angles. The Part Photo pages that follow will offer more detail with larger photos and specific parts identification.

Areas and Views of the MH4900

Overview: MH-1 to MH-3
Console: MH-4
Seat: MH-5
Parking Brake: MH-6 to MH-7
Throttle Linkage: MH-8
Engine: MH-9 to MH-13
Electrical: MH-14 to MH-15
Fuel: MH-16 to MH-17
Hydraulics: MH-18 to MH-25
Drive: MH-26 to MH-33
Tracks: MH-34 to MH-40

Parts Identified

000229L Left Foot Guard
001364 Hood Latch (2)
004048 Left Side Panel
004212 Grill
004220 Hood

Version 7.17

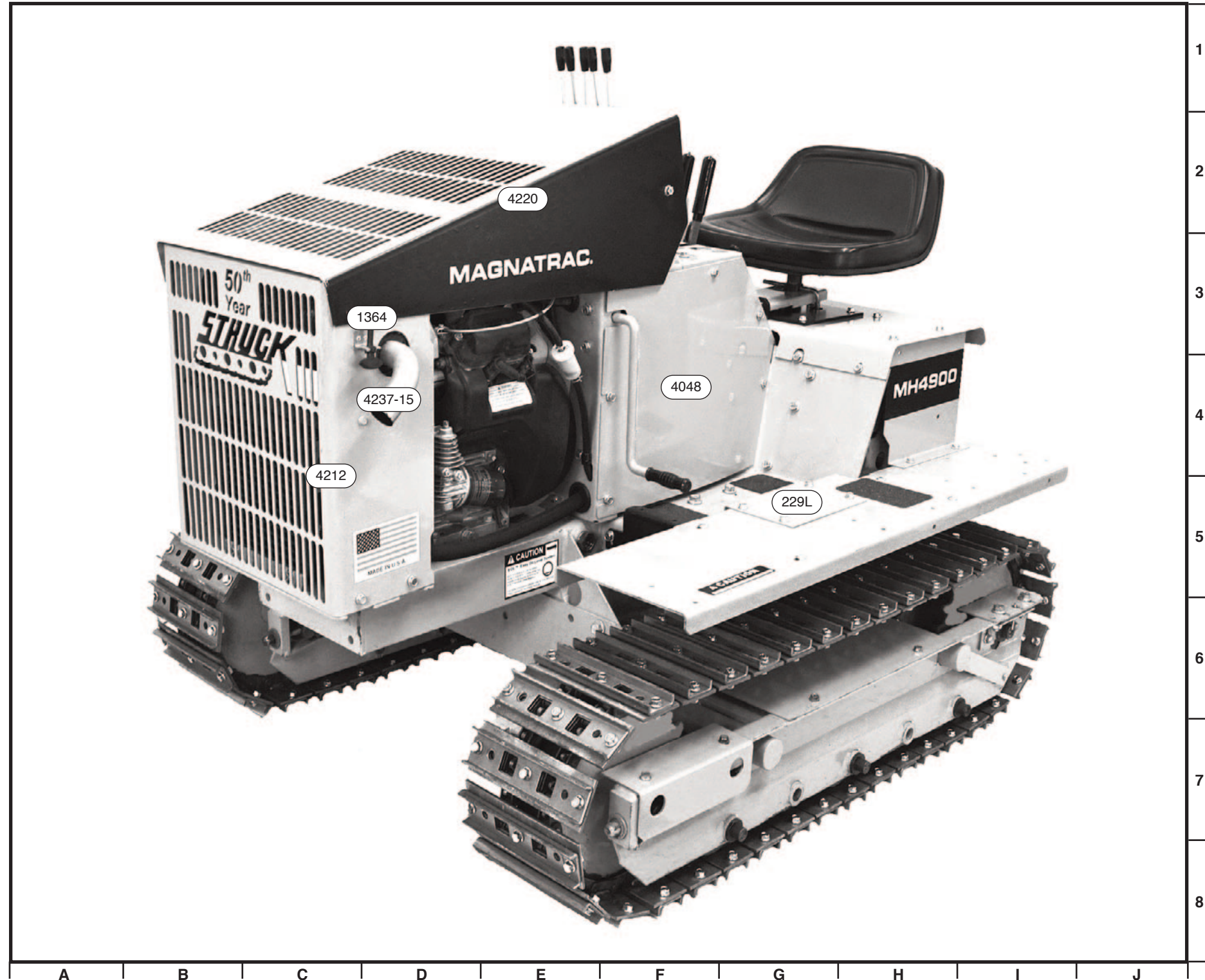


Photo MH-2

Magnatrac MH4900

Overview - Left Side View

“Section 7 - SERVICE” (of this Manual) refers to the maintenance and service procedures required to properly take care of your MAGNATRAC.

This Manual and our phone technical support team are available to help you through any specific questions or problems you may have in the operation and maintenance of your MAGNATRAC MH4900.

A “grid” of *letters* and *numbers* surround each Part Photo page. By locating an area of your MAGNATRAC, say “**B-7**” in the photo at the right, your service technician will know you have a question about the “**Left Front Track Idler Sprocket**”. This simple quick parts identification technique will eliminate frustration and get your problem solved ASAP.

Areas and Views of the MH4900

Overview:	MH-1 to MH-3
Console:	MH-4
Seat:	MH-5
Parking Brake:	MH-6 to MH-7
Throttle Linkage:	MH-8
Engine:	MH-9 to MH-13
Electrical:	MH-14 to MH-15
Fuel:	MH-16 to MH-17
Hydraulics:	MH-18 to MH-25
Drive:	MH-26 to MH-33
Tracks:	MH-34 to MH-40

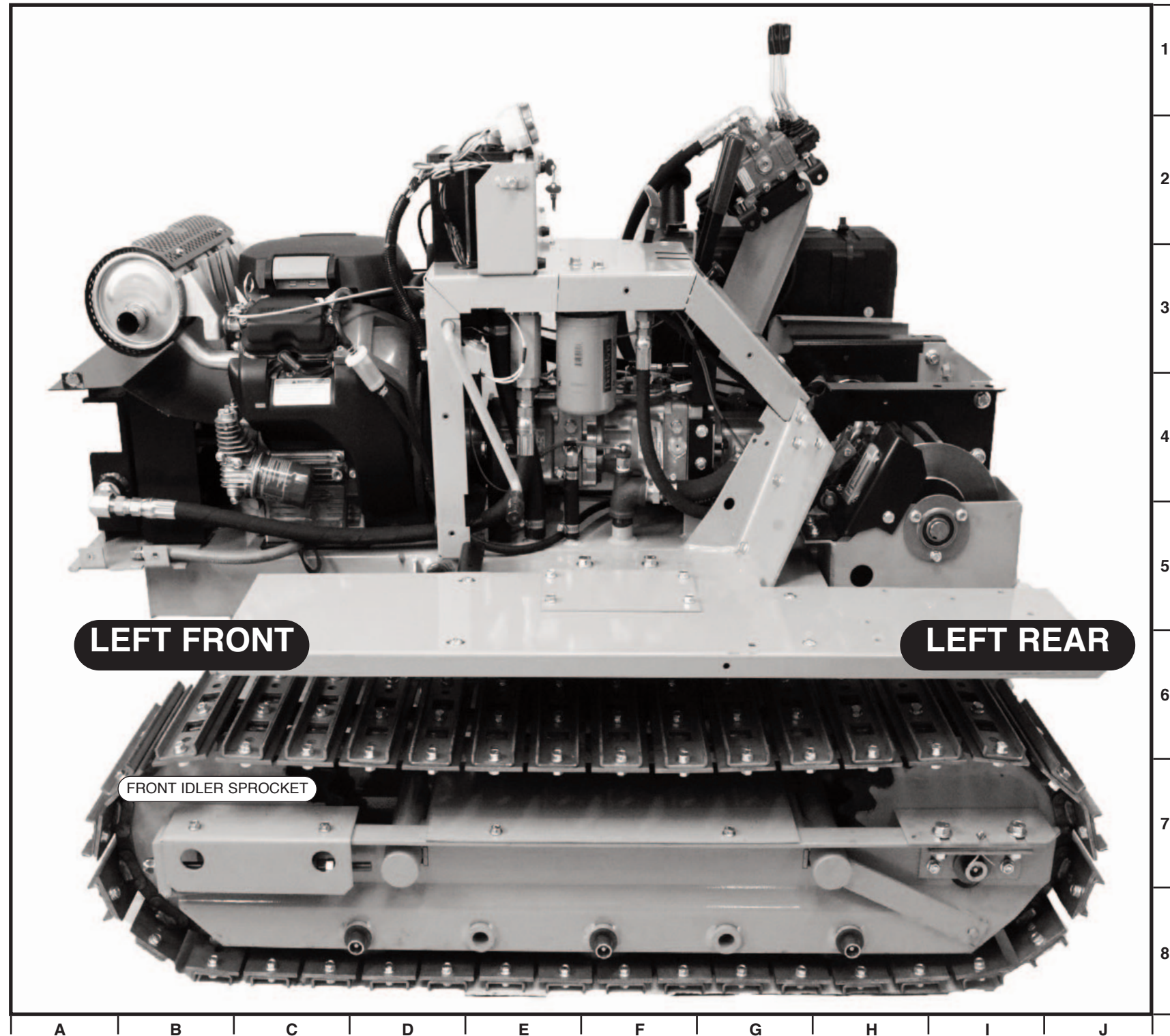


Photo MH-3

Magnatrac MH4900

Overview - Right Side View

Table of Contents

Areas and Views of the MH4900

Overview:	MH-1 to MH-3
Console:	MH-4
Seat:	MH-5
Parking Brake:	MH-6 to MH-7
Throttle Linkage:	MH-8
Engine:	MH-9 to MH-13
Electrical:	MH-14 to MH-15
Fuel:	MH-16 to MH-17
Hydraulics:	MH-18 to MH-25
Drive:	MH-26 to MH-33
Tracks:	MH-34 to MH-40

Parts Identified

001222 Track Idler Cover

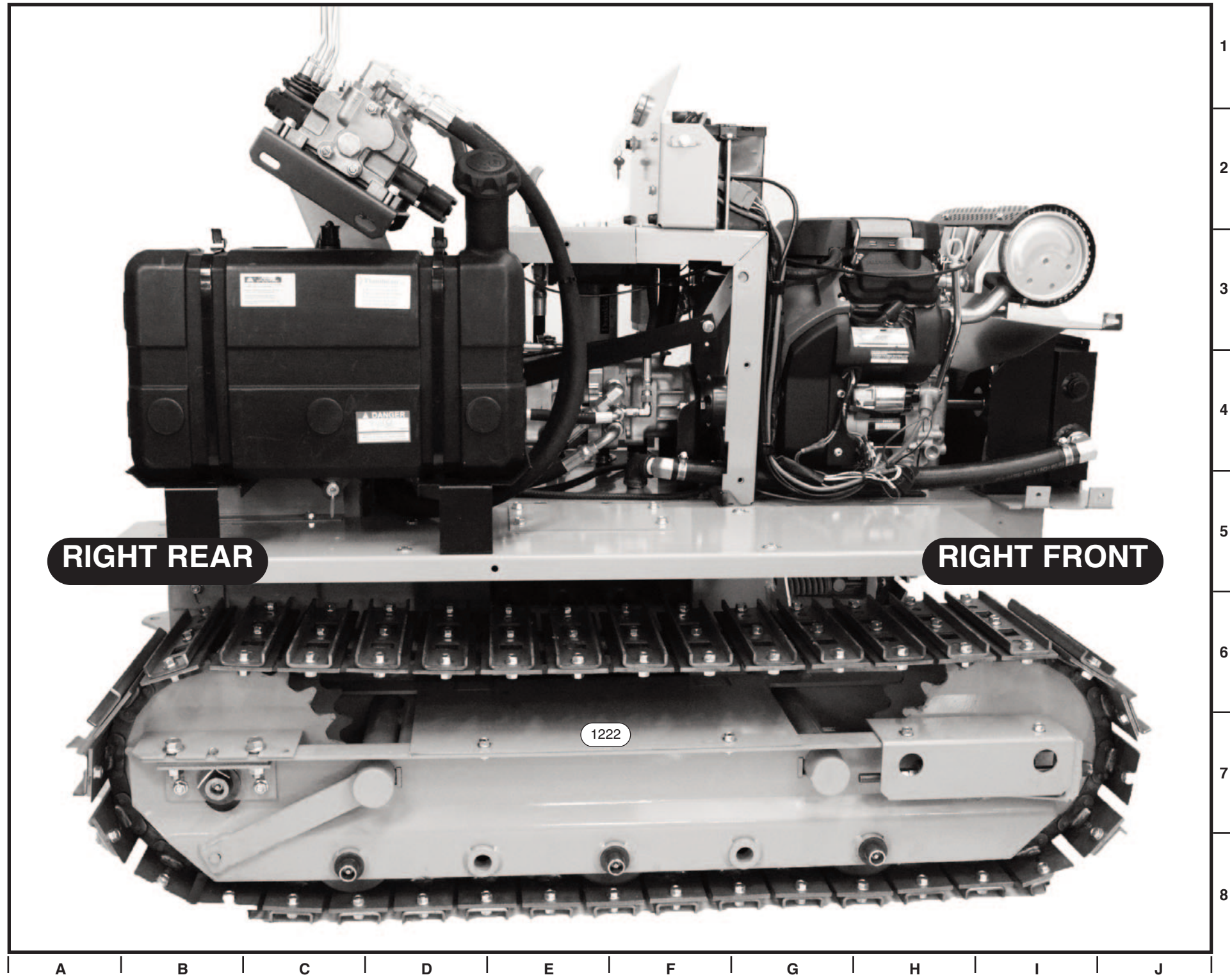


Photo MH-4

Magnatrac MH4900

Console - Center View

Parts Identified

- 000050 Foot/Handle Grip
- 000247 Vertical Brake Pull Rod
- 000430 Choke
- 000904 Foot Pad (4)
- 001800-4 Hour meter (Optional)
- 004022 Handle, brake lock
- 004025 Seat Pan (No Rops)
- 004039 Treadle
- 004216 Dash Control Mount
- 004217 Track Drive Handle (2)
- 004218 Dash Enclosure
- 004220 Hood
- 004226 Seat Plate, lower
- 004231 Hyd. Oil Gauge (Optional)
- 004233L Left Fender
- 004233R Right Fender
- 004236 Tank, fuel
- 004237-10 Ignition switch & Key
- 004248 Throttle Handle
- 004252 Rubber Bumper (2)
- 004260 Pedal, brake
- 004330 Handle Ball (2) (Upgrade)
- 004331 Attachment Valve
- 004366 Wire, yellow
- 004368 Wire, yellow

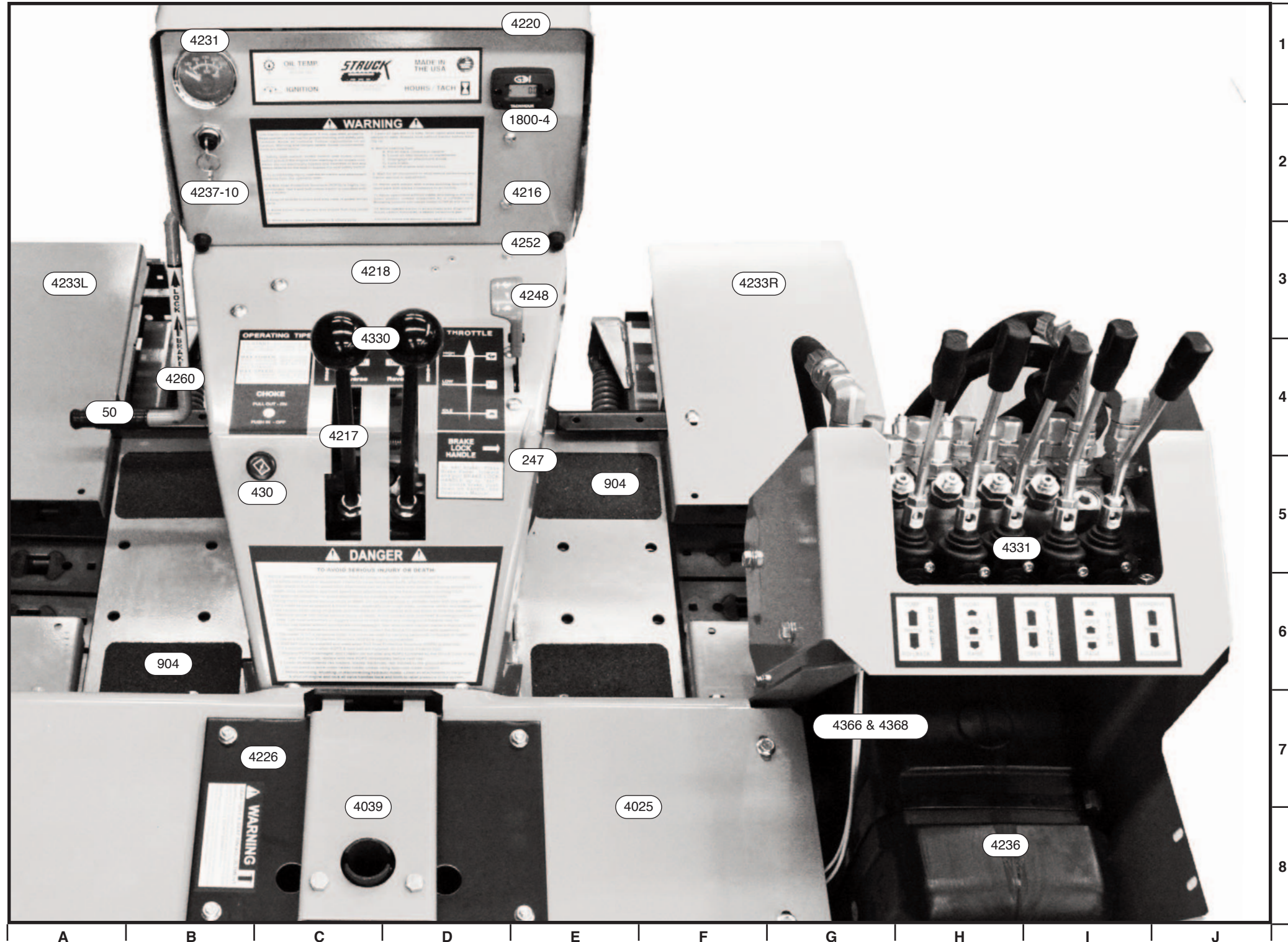


Photo MH-5

Magnatrac MH4900

Seat - Left Rear View

Parts Identified

000441	Interlock Switch
000504	Seat Pin
000506	Spring (2)
000933A	Seat, (standard seat)
004025	Seat Pan (No Rops)
004039	Treadle
004265	Seat Mount, upper
004266	Seat Plate, lower

Note

Seat upgrade may be available. Call factory for details.



Photo MH-6

Magnatrac MH4900

Parking Brake - Right

View

Parts Identified

- 000208 Rocker assembly, left
- 000217A Clevis
- 000219 Pivot rod
- 000224 Pull, brake (4)
- 000225A Brake, body
- 000225B Brake, lever
- 000225C Brake, jam nut
- 000225D Brake, adjuster pin
- 000225L Brake Caliper, left
- 000246 Evener rod
- 000247 Vertical Brake Pull Rod
- 000249 Support (#219 rod)
- 000279 Grommet
- 000401M Frame Pin
- 000405 Bar
- 000428 Spring
- 000726 Grommet
- 000907 Washer
- 004218 Dash Assembly
- 004260 Pedal assembly, brake
- 004261 Pull Rod

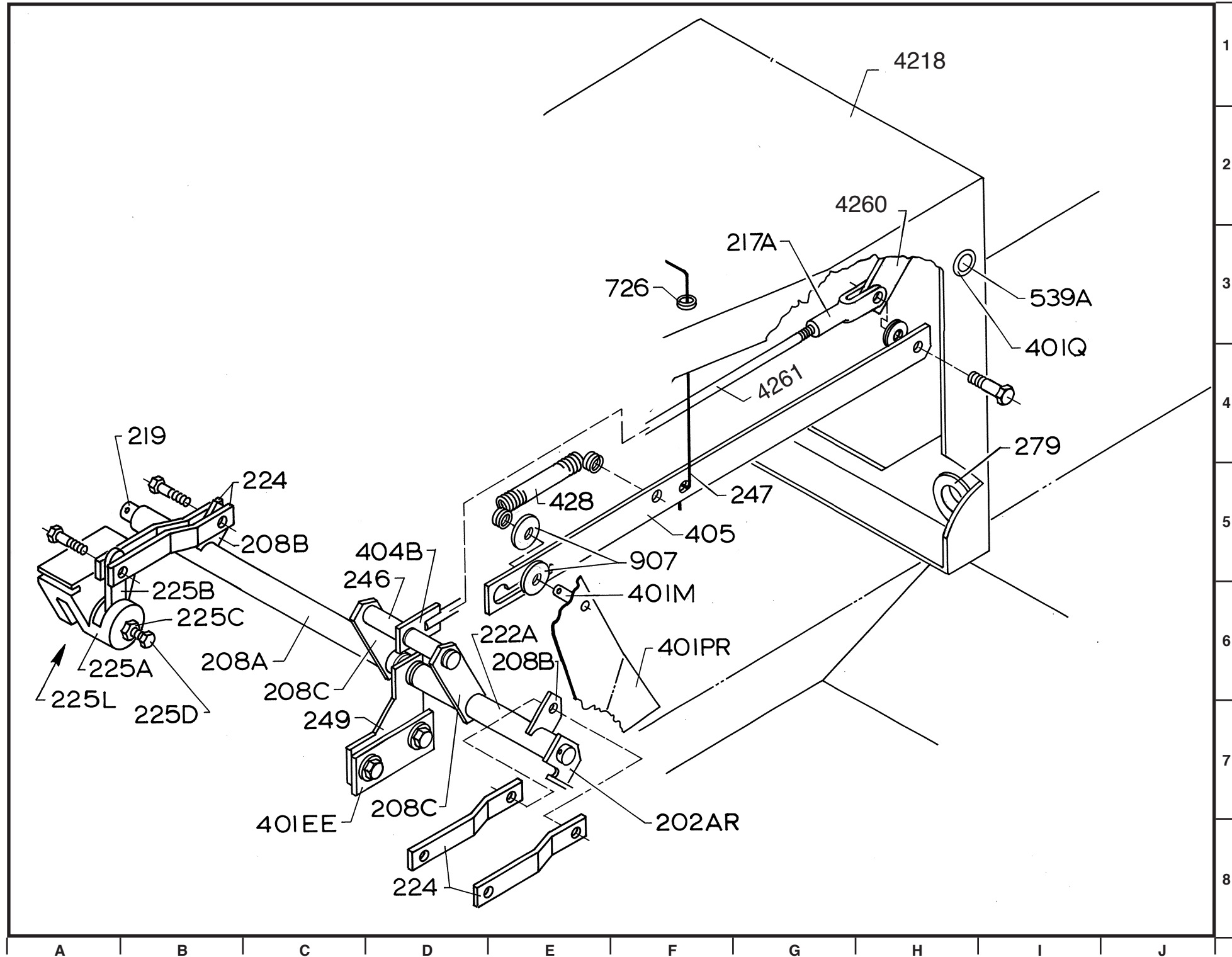


Photo MH-7

Magnatrac MH4900

Parking Brake - Right View

Parts Identified

- 000247 Vertical Brake Pull Rod
- 000405 Brake Bar
- 000430 Choke Cable
- 000441 Interlock Switch
- 004209 Pivot Mount
- 004216 Dash Control Mount
- 004217 Handle (2)
- 004218 Dash Enclosure
- 004220 Hood (Not Shown)
- 004221 Lever Assembly (2)
- 004222 Handle Shaft
- 004236 Fuel Cannister & Tank
- 004242 Hydraulic Filter
- 004248 Throttle Handle
- 004252 Rubber Bumper (2)
- 004260 Brake Pedal Assembly
- 004261 Pull Rod Assembly
- 004263 Throttle Lever
- 004338 Drive Handle Grip, red (2)

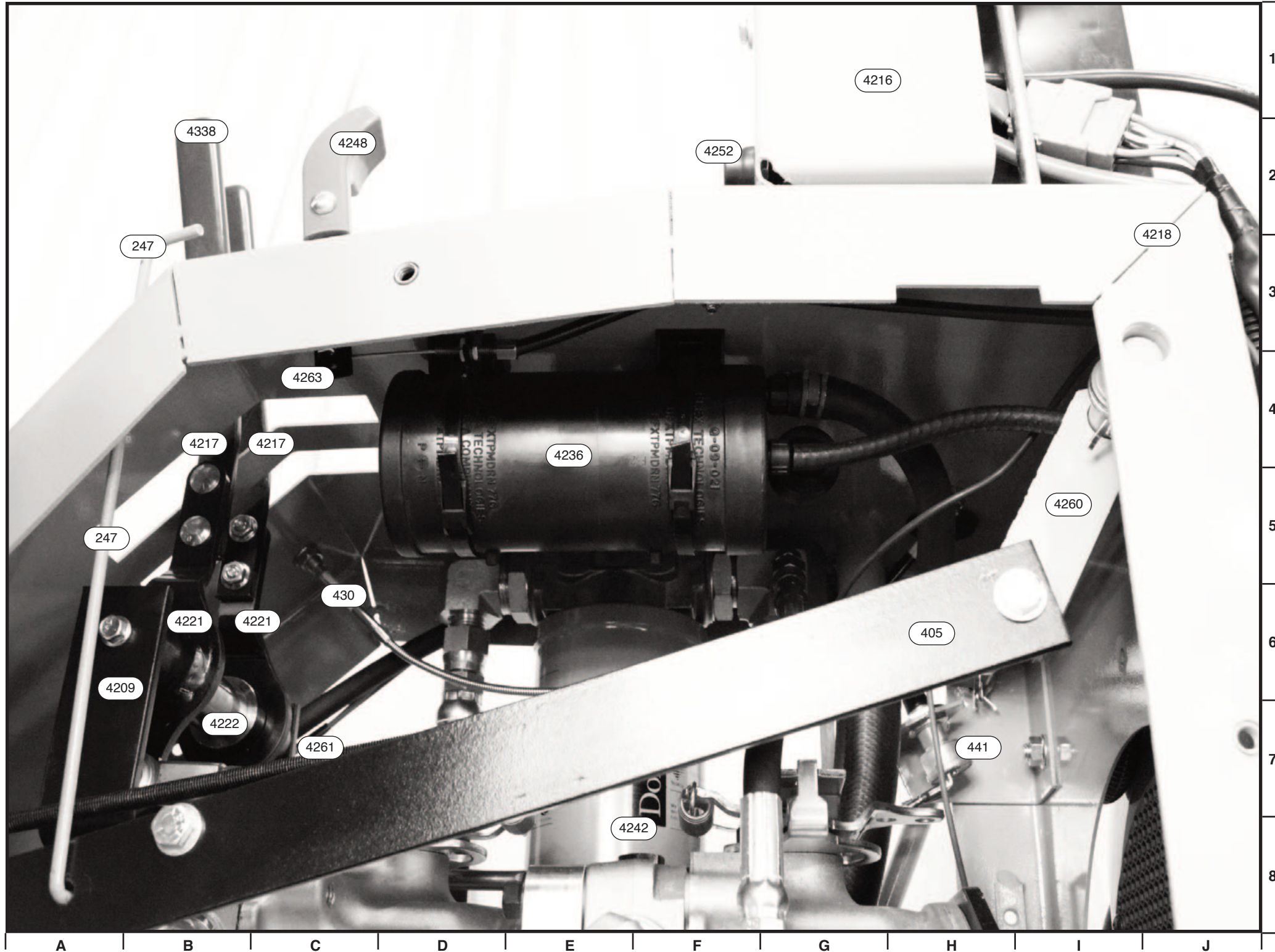
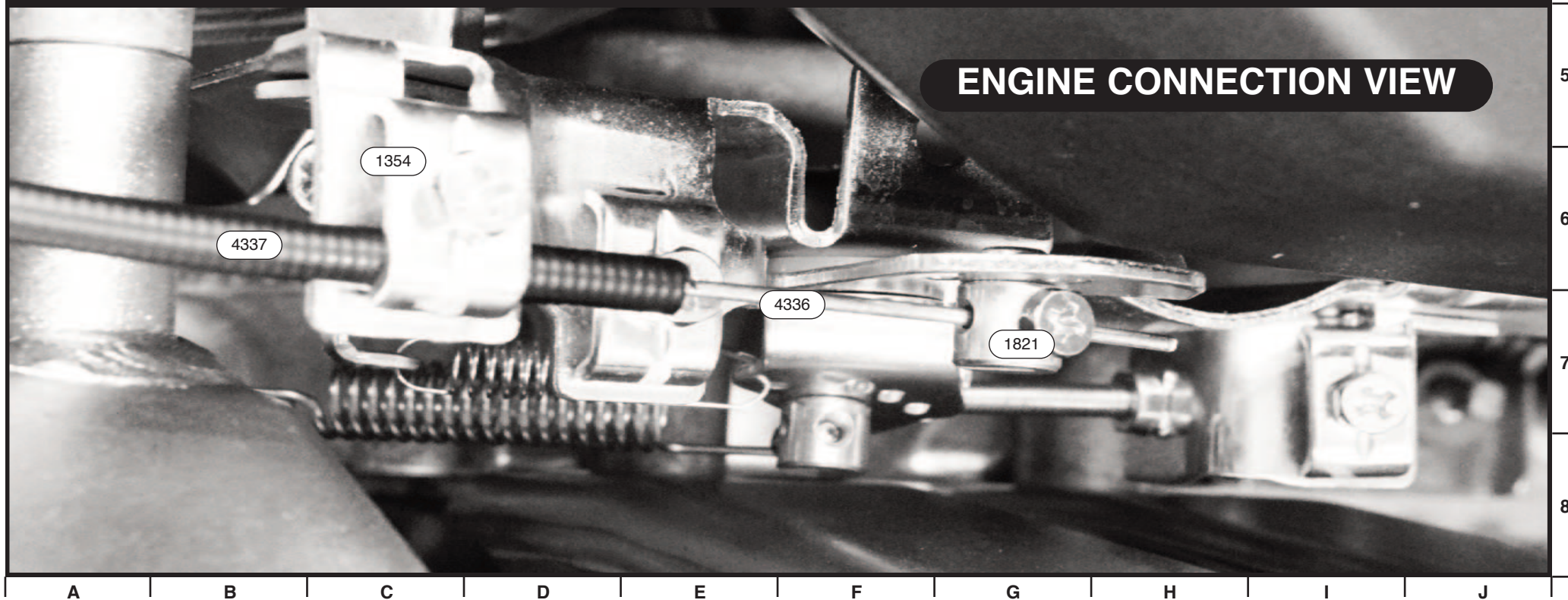
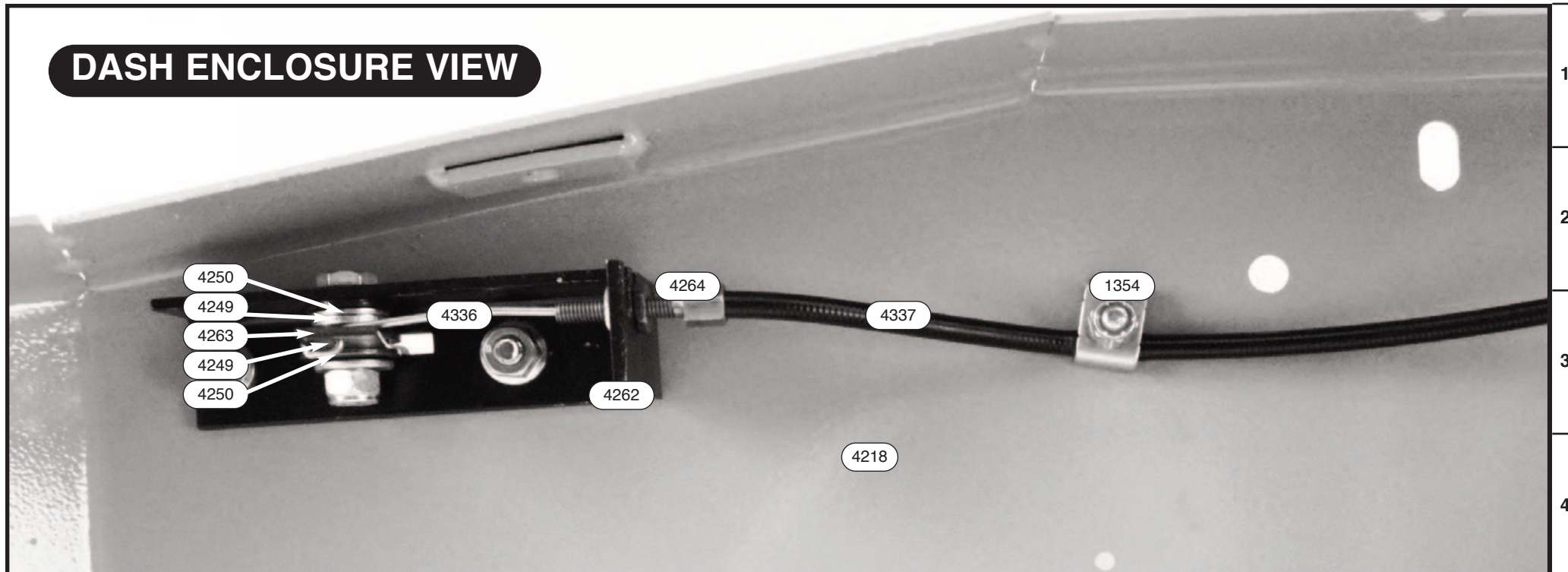


Photo MH-8
Magnatrac MH4900
Throttle Linkage View

Parts Identified

- 001354 Clip
- 001821 Cable Stop
- 004218 Dash Enclosure
- 004249 Disc Spring (2)
- 004250 Plastic Washer (2)
- 004262 Thottle Mount
- 004263 Throttle Lever
- 004264 Stem Bolt
- 004336 Throttle Wire
- 004337 Throttle Conduit



A B C D E F G H I J

1
2
3
4
5
6
7
8

Photo MH-9

Magnatrac MH4900

Engine - Front View

Parts Identified

- 000229L Left Foot Guard
- 000229R Right Foot Guard
- 004207 Floor
- 004213 Heat Baffle
- 004223L Left Fender
- 004223R Right Fender
- 004236 Fuel Tank & Cannister
- 004237 Honda GX690 Engine
- 004237-8 Muffler
- 004239 Hydraulic Oil Cooler
- 004258 Hose, 5/8, 27 3/4"
- 004259 Hose, 1" Soft, 25"
- 004302 Fitting, 849-FSO-10x16
- 004303 Fitting, 4601-16-16

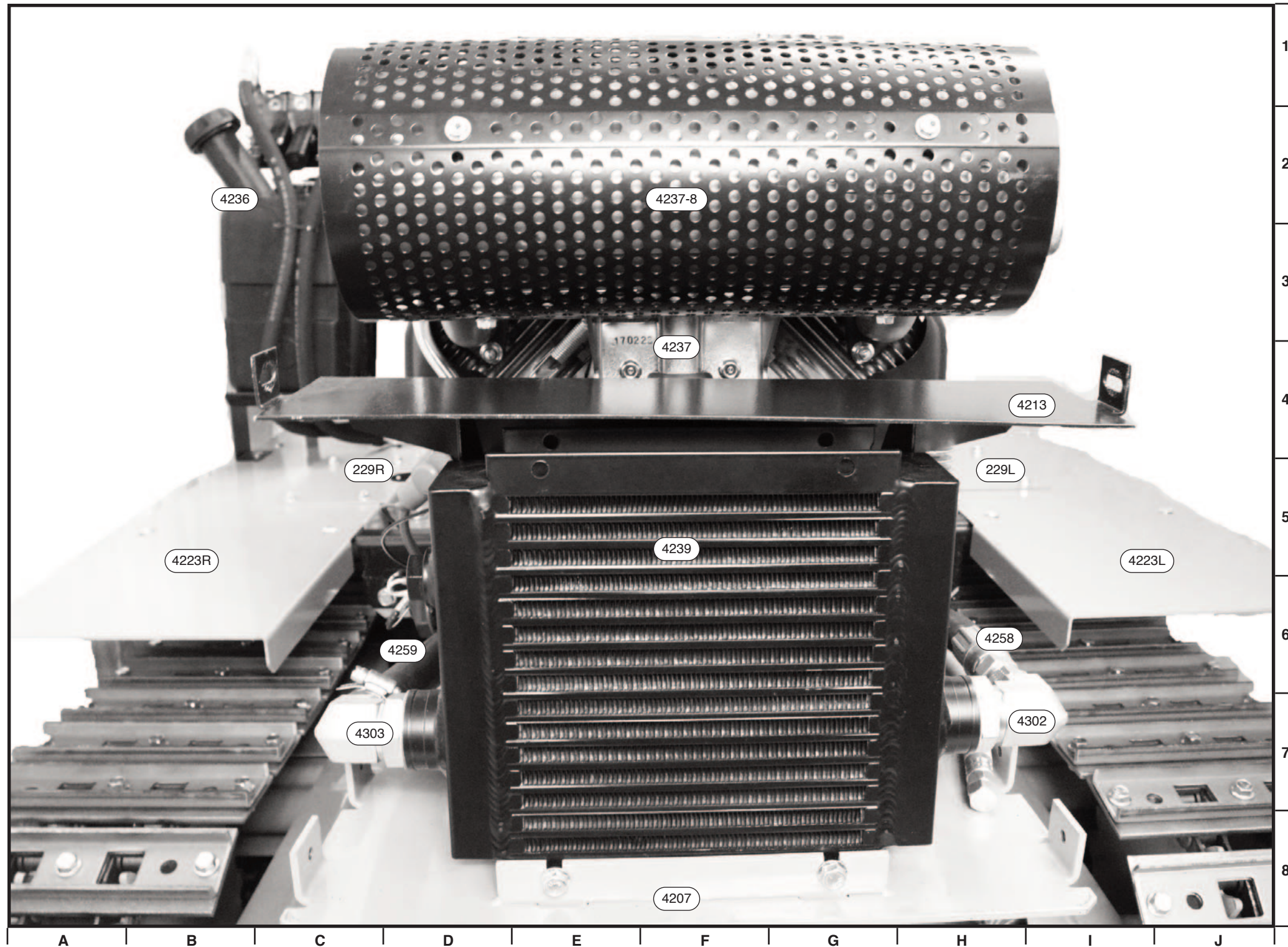


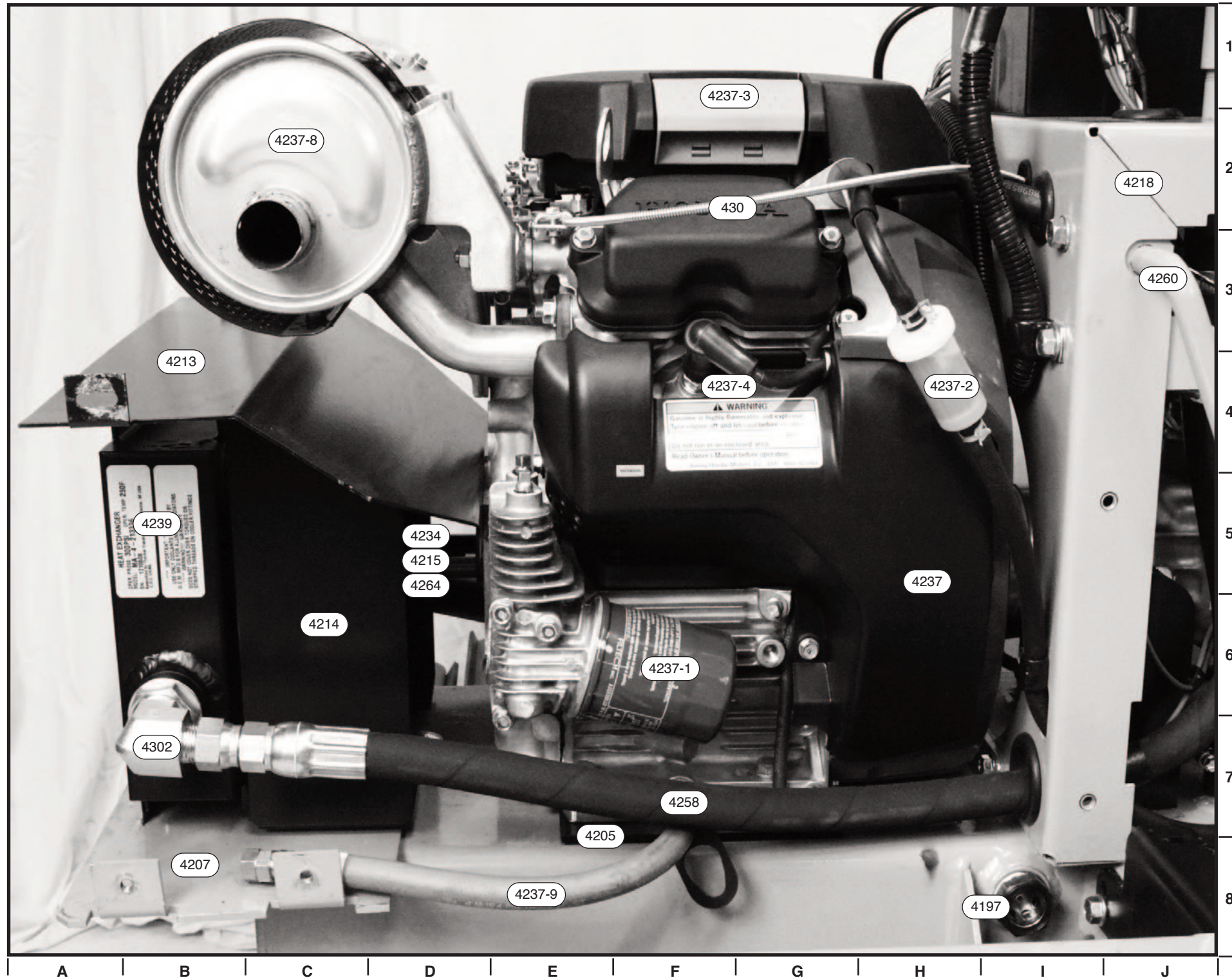
Photo MH-10

Magnatrac MH4900

Engine - Left View

Parts Identified

- 000430 Choke Cable
- 004197 Hydraulic Oil Sight
- 004205 Engine Plate
- 004207 Floor
- 004213 Heat Baffle
- 004214 Fan Shroud
- 004215 Fan Hub (Not shown)
- 004218 Dash Enclosure
- 004234 Fan (Not shown)
- 004237 Honda GX690 Engine
- 004237-1 Oil Filter
- 004237-2 Fuel Filter
- 004237-3 Air Filter (Under Cover)
- 004237-4 Spark Plug
- 004237-8 Muffler
- 004237-9 Oil Drain Hose Assembly
- 004239 Oil Cooler
- 004258 Hose, 5/8, 27 3/4"
- 004260 Brake Pedal Assembly
- 004264 Fan Stem Bolt (Not shown)
- 004302 Fitting, 849-FSO-10x16



A | B | C | D | E | F | G | H | I | J

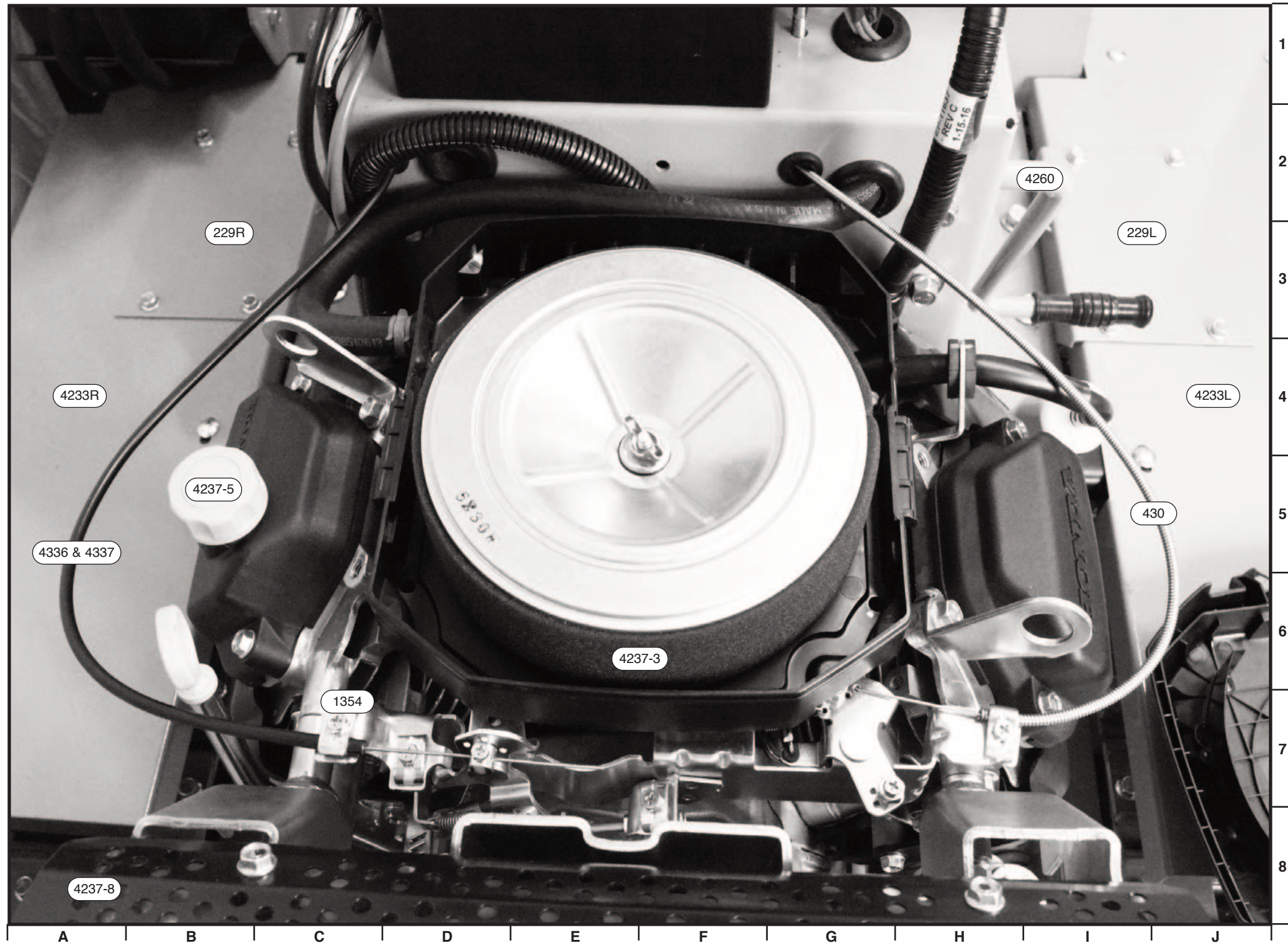
Photo MH-11

Magnatrac MH4900

Engine - Top View

Parts Identified

- 000229L Left Foot Guard
- 000229R Right Foot Guard
- 000430 Choke Cable
- 001354 Clip
- 004233L Left Fender
- 004233R Right Fender
- 004237-3 Air Filter
- 004237-5 Oil Filler Cap
- 004237-8 Muffler
- 004260 Brake Pedal Assembly
- 004336 Throttle Wire
- 004337 Throttle Conduit



4233R

229R

4260

229L

4233L

4237-5

430

4336 & 4337

4237-3

1354

4237-8

A

B

C

D

E

F

G

H

I

J

1

2

3

4

5

6

7

8

Photo MH-12

Magnatrac MH4900

Engine - Right View

Parts Identified

000430	Choke Cable
000793	Zip Tie
001905	Coated Clip (2)
002071	Red Protective Battery Cap
004205	Engine Plate
004204	Piston Pump Mount
004207	Floor
004213	Heat Baffle
004214	Fan Shroud
004215	Fan Hub (Not Shown)
004218	Dash Enclosure
004228	Red, + Battery Wire
004229	Black, - Battery Wire
004234	Fan (Not Shown)
004237	Honda GX690 Engine
004237-3	Air Filter (Under Cover)
004237-4	Spark Plug
004237-8	Muffler
004239	Oil Cooler
004259	Hose, 1" Soft, 25"
004260	Brake Pedal Assembly
004303	Fitting, 4601-16-16
004336	Throttle Wire
004337	Throttle Conduit

Note

Engine wires shown without protective covering for clarity.

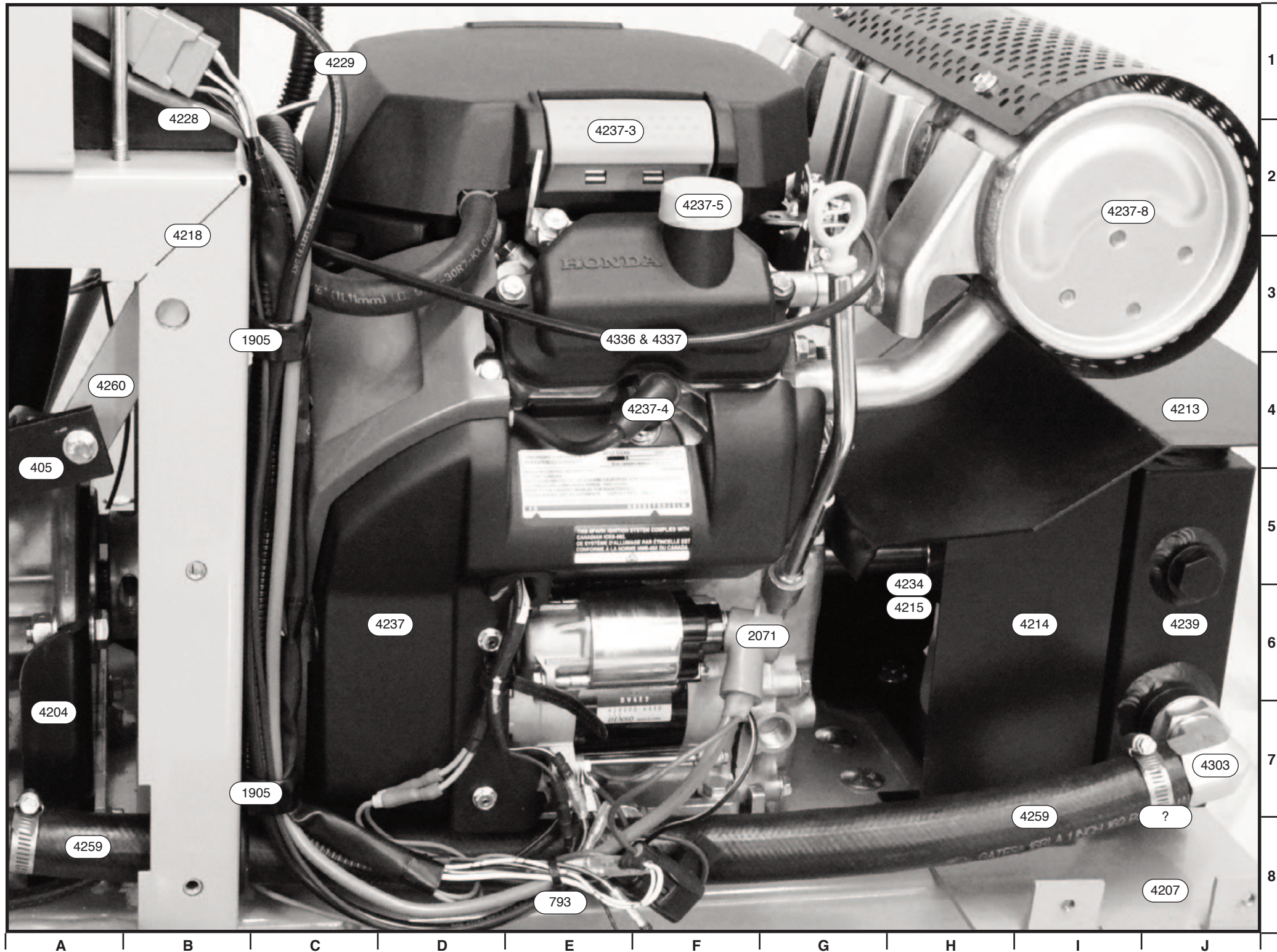


Photo MH-13

Magnatrac MH4900

Engine - Fan View

Parts Identified

- 004195 Spring Pin
- 004215 Fan Hub
- 004234 Fan
- 004237 Honda GX690 Engine

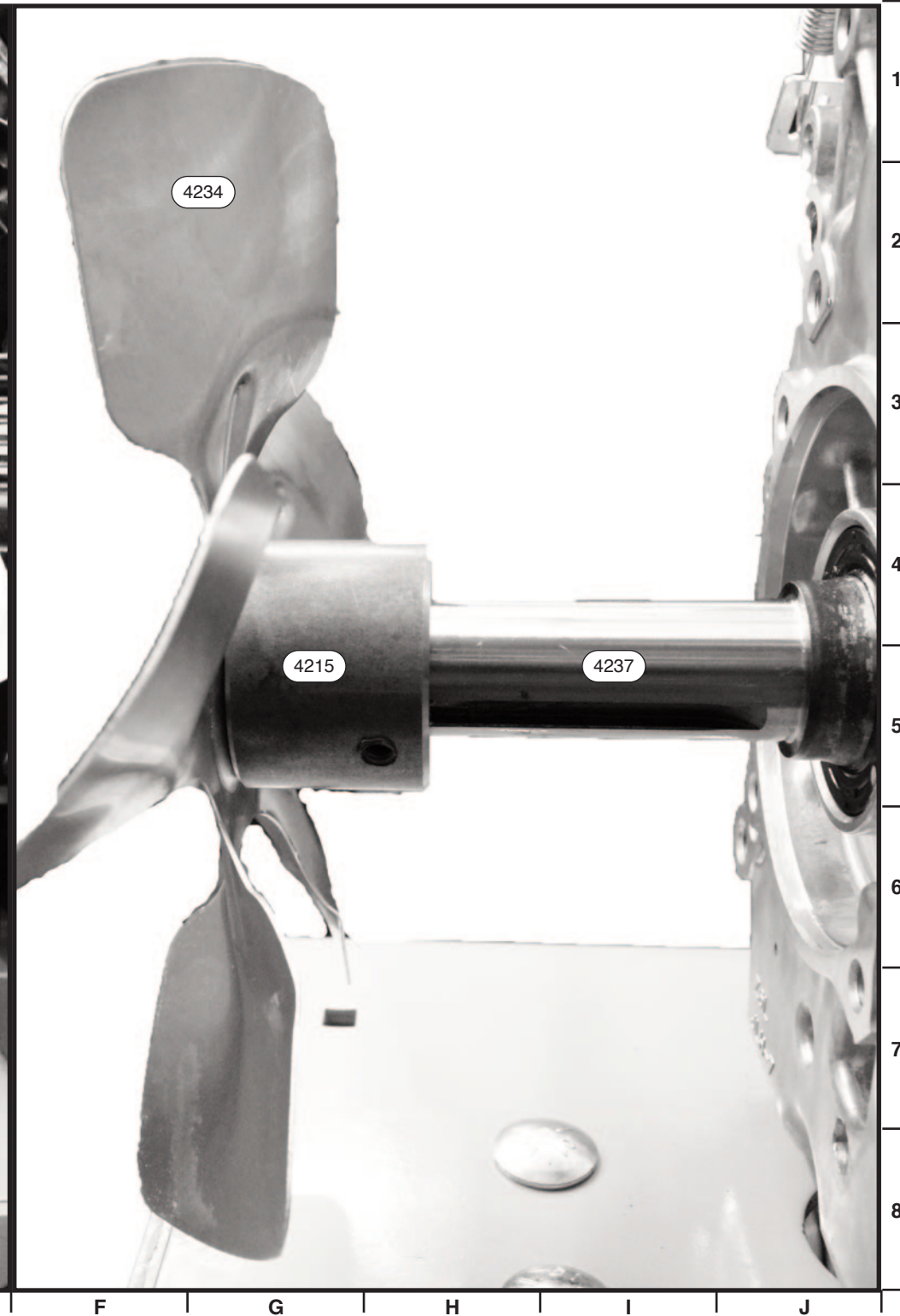
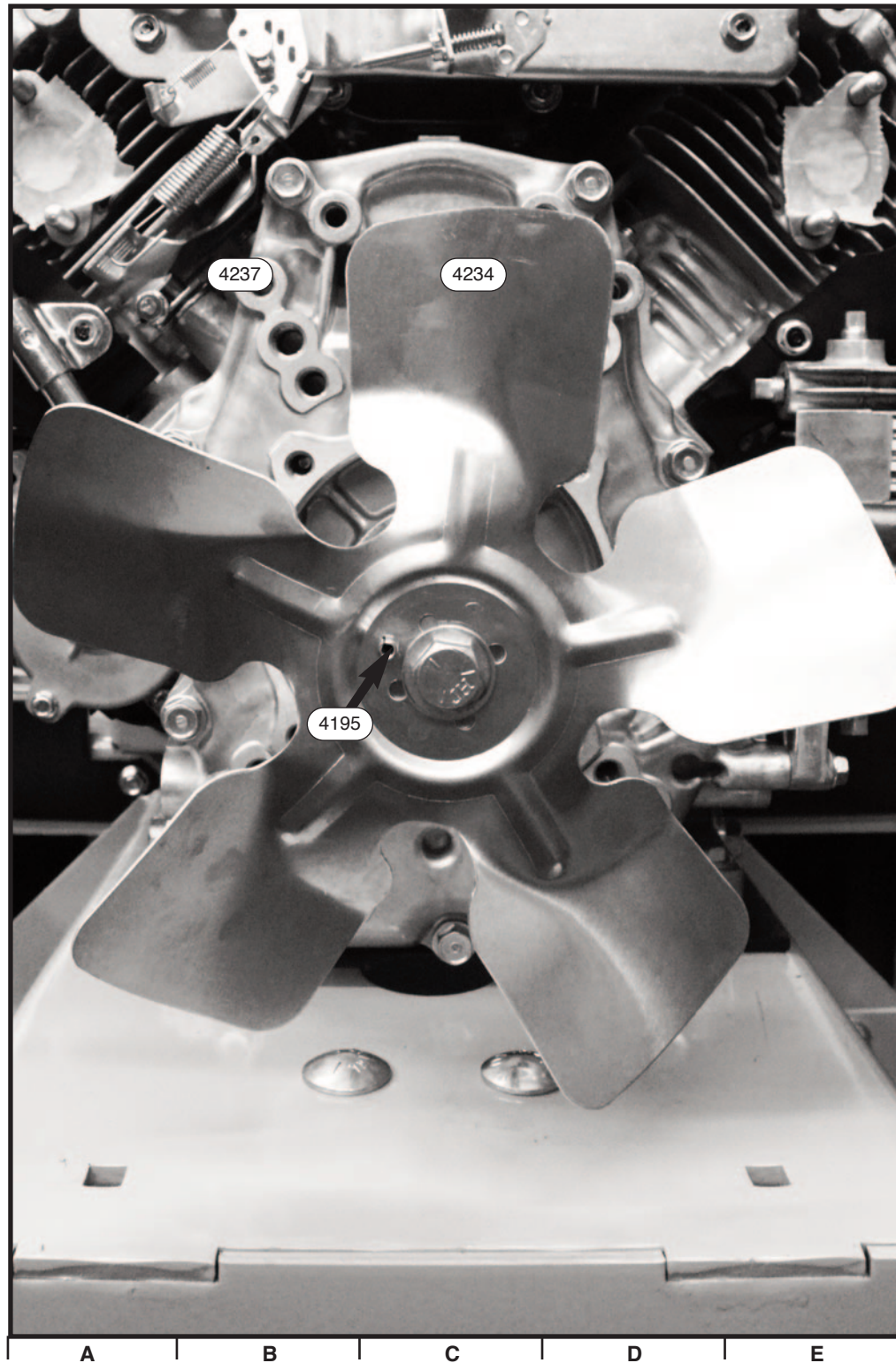


Photo MH-14

Magnatrac MH4900

Electrical - Behind Dash

View

Parts Identified

- 000413 Battery Strap
- 000430 Choke
- 000442 Battery, 12 Volt, 350CCA
- 000616 Breather, Hydraulic Tank
- 001800-4 Hour Meter (Not Shown)
- 002071 Protective Cap, Red
- 004216 Dash Control Mount
- 004218 Dash Enclosure
- 004228 Red Wire, (Battery to Starter)
- 004229 Black Wire, (Battery to Ground)
- 004231 Hydo Oil Temp Gauge
- 004237 Honda GX690 Engine
- 004237-10 Ignition Assembly
- 004260 Brake Pedal Assembly

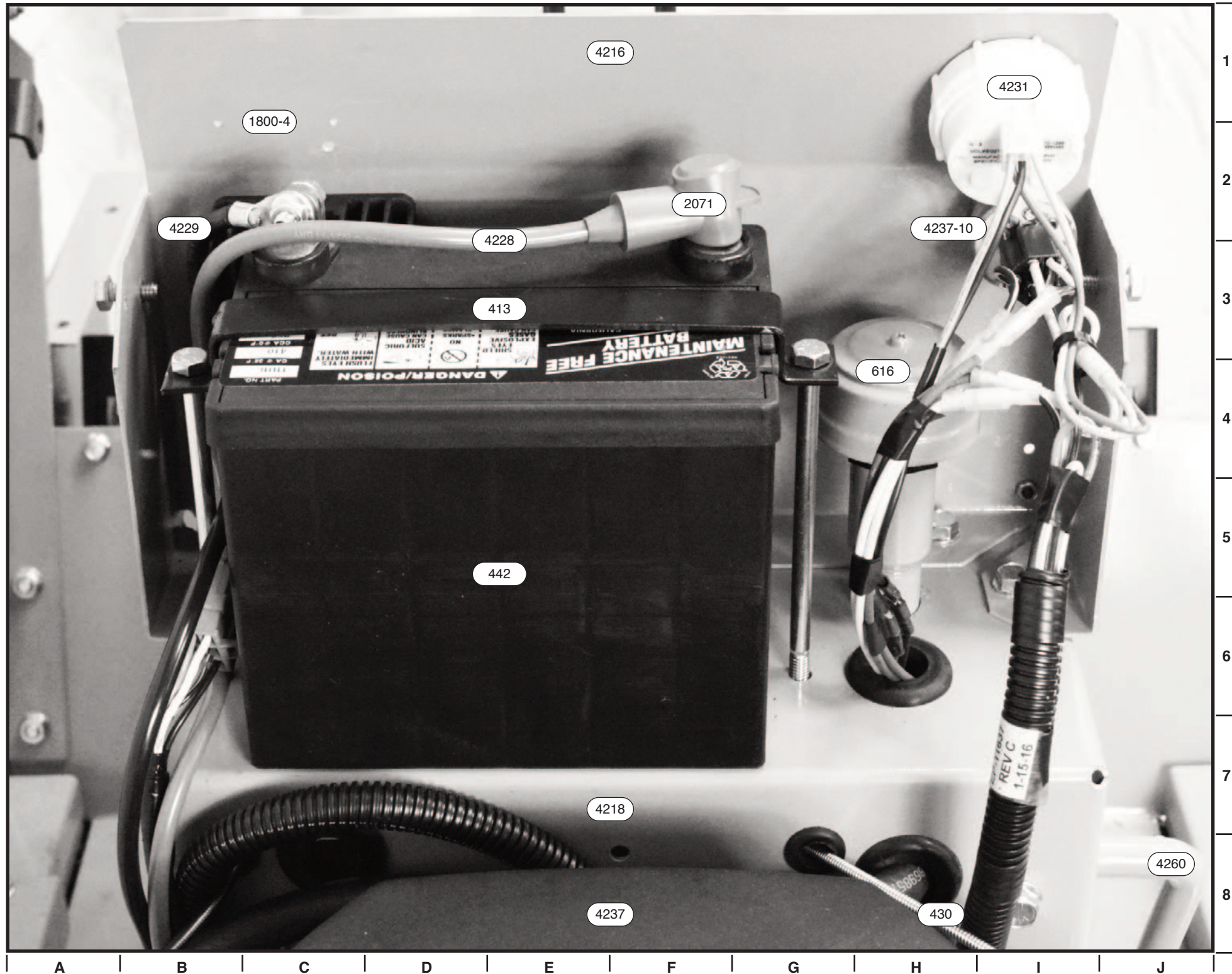


Photo MH-15 Magnatrac MH4900 Electrical - Wiring Diagram

Parts Identified

- 000441 Interlock Switch (2)
- 000442 Battery, 12 Volt, 350CCA
- 000475 Oil Temp Sender
- 000486 Hour Meter
- 000487 Oil Temp. Gauge
- 001041R-2 PTO / Accessory Safety Switch
- 001800-4 Hour Meter with black wire
- 004228 Wire, Red (Battery to Starter)
- 004229 Wire, Black (Battery to Ground)
- 004230 Hyd Oil Temp Sensor
- 004331 Attachment Valve
- 004237 Honda Engine, GX690
- 004237-4 Spark Plug
- 004237-10 Honda Ignition & Key
- 004237-11 Honda Ignition Harness
- 004237-12 Voltage Reg. & Harness
- 004237-13 Voltage to Engine Harness
- 004361 Wire, Blue (Gauge to Sensor)
- 004362 Wire, Green (Sensor to Ground)
- 004363 Wire, Black (Gauge to Ground)
- 004364 Wire, Gray (Seat to Harness)
- 004365 Wire, Gray (Seat to Ignition)
- 004366 Wire, Yellow (Switch to Switch)
- 004367 Wire, Yellow (Switch to Ignition)
- 004368 Wire, Yellow (Harness to Switch)

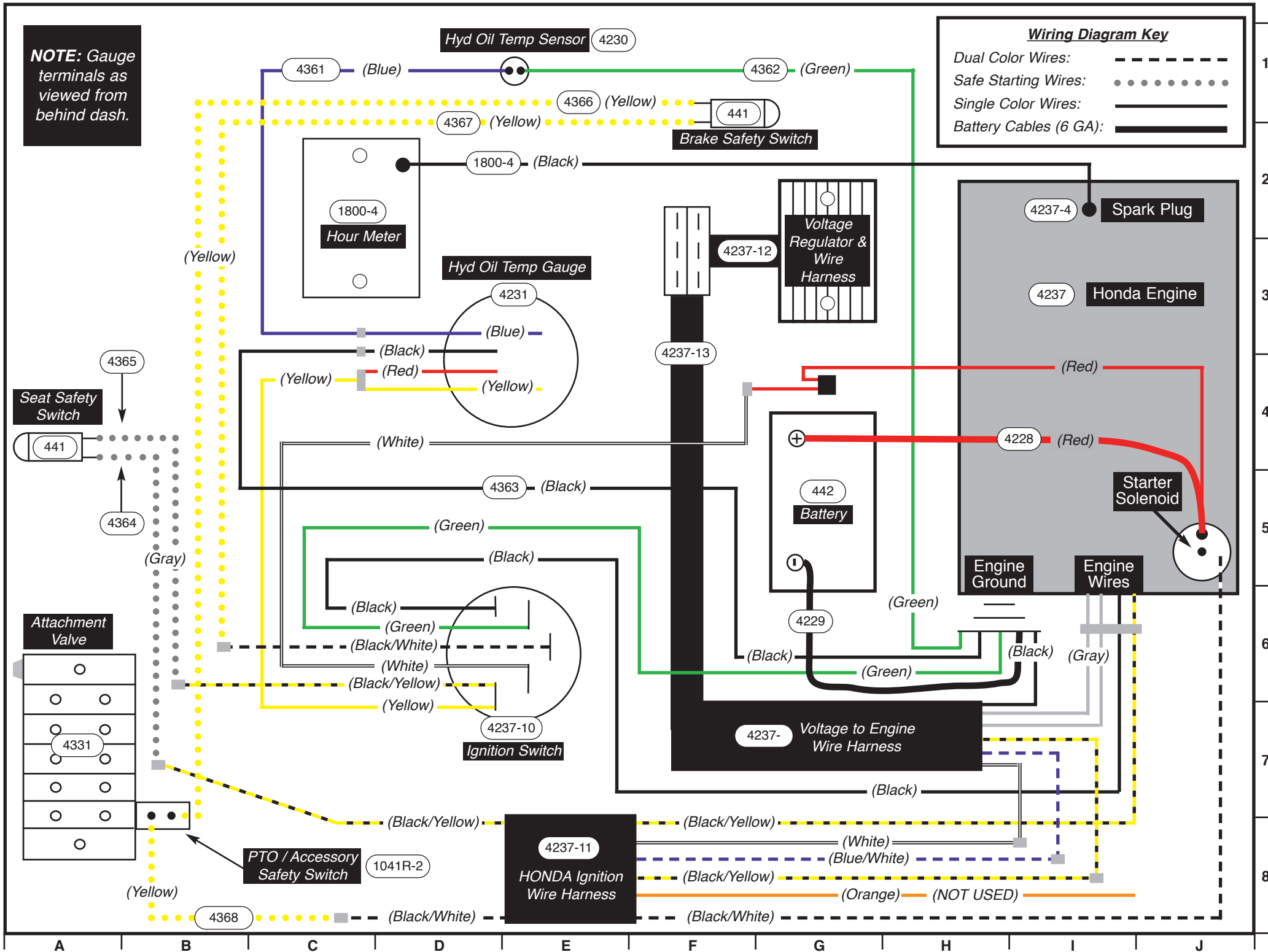


Photo MH-16

Magnatrac MH4900

Fuel - Tank View

Parts Identified

- 004013 Valve Angle Mount
- 004014 Valve Plate Mount
- 004023 Rear Tank Bracket
- 004024 Front Tank Bracket
- 004062 Cable Tie, 40" (2)
- 004223R Right Fender
- 004236 Fuel Tank & Cannister
- 004331 Attachment Valve

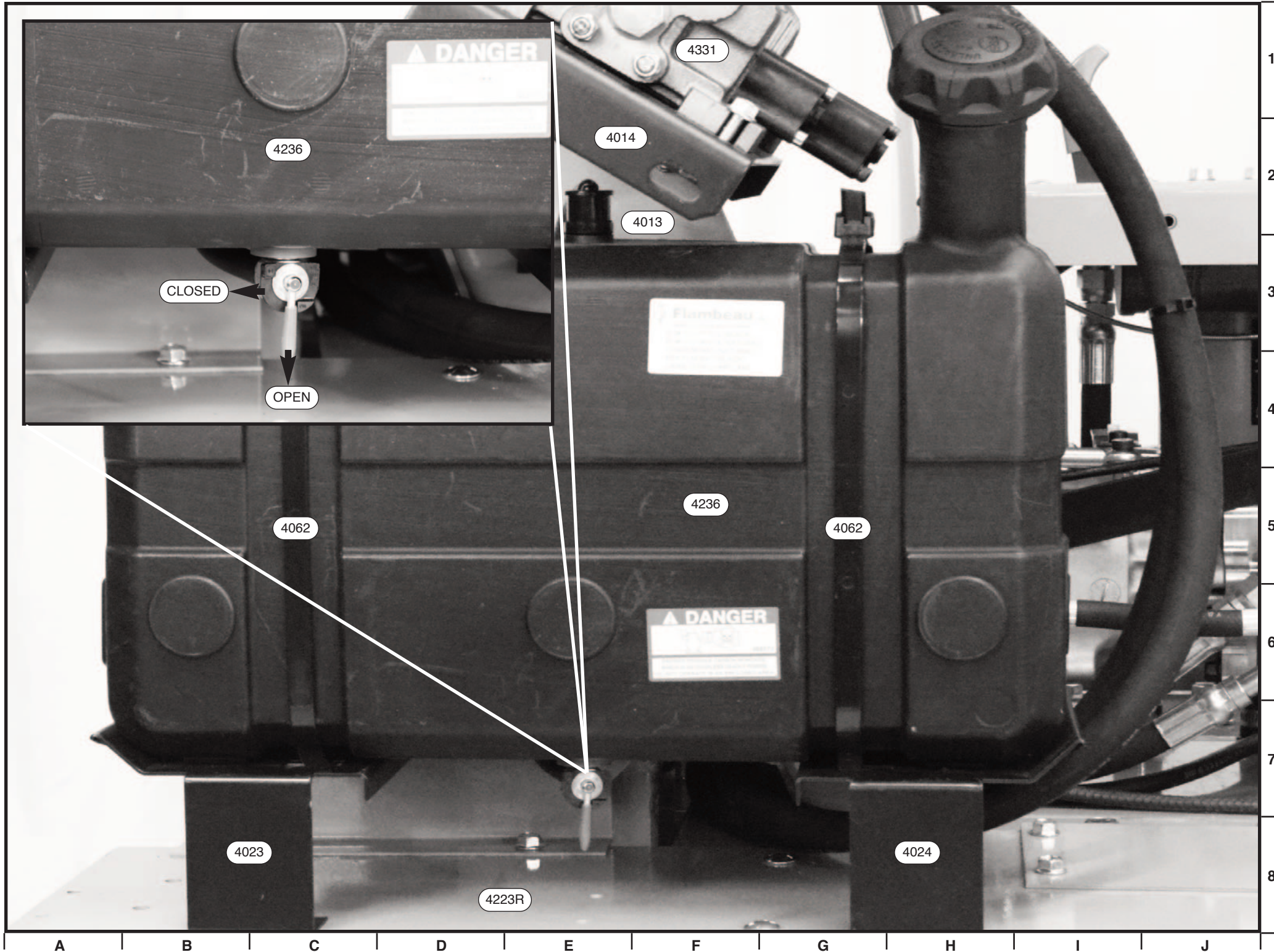


Photo MH-17

Magnatrac MH4900

Fuel - Carbon Filter View

Parts Identified

- 000247 Vertical Brake Pull Rod
- 000441 Interlock Switch
- 000405 Brake Bar
- 000430 Choke Cable
- 000515 Hose, soft, 1" x 14"
- 000973 Fitting, 854-FS-06x04 (Not shown)
- 004209 Pivot Mount
- 004216 Dash Control Mount
- 004217 Handle (2)
- 004218 Dash Enclosure
- 004221 Lever Assembly (2)
- 004222 Handle Shaft
- 004236 Fuel Cannister & Tank
- 004238 Tandem Piston Pump
- 004242 Hydraulic Filter
- 004243 Filter Head
- 004248 Throttle Handle
- 004252 Rubber Bumper (2)
- 004260 Brake Pedal Assembly
- 004261 Pull Rod Assembly
- 004263 Throttle Lever
- 004301 Fitting, 6815-16x16
- 004302 Fitting, 849-FSO-10x16
- 004336 Throttle Wire
- 004337 Throttle Conduit
- 004338 Drive Handle Grip, red (2)

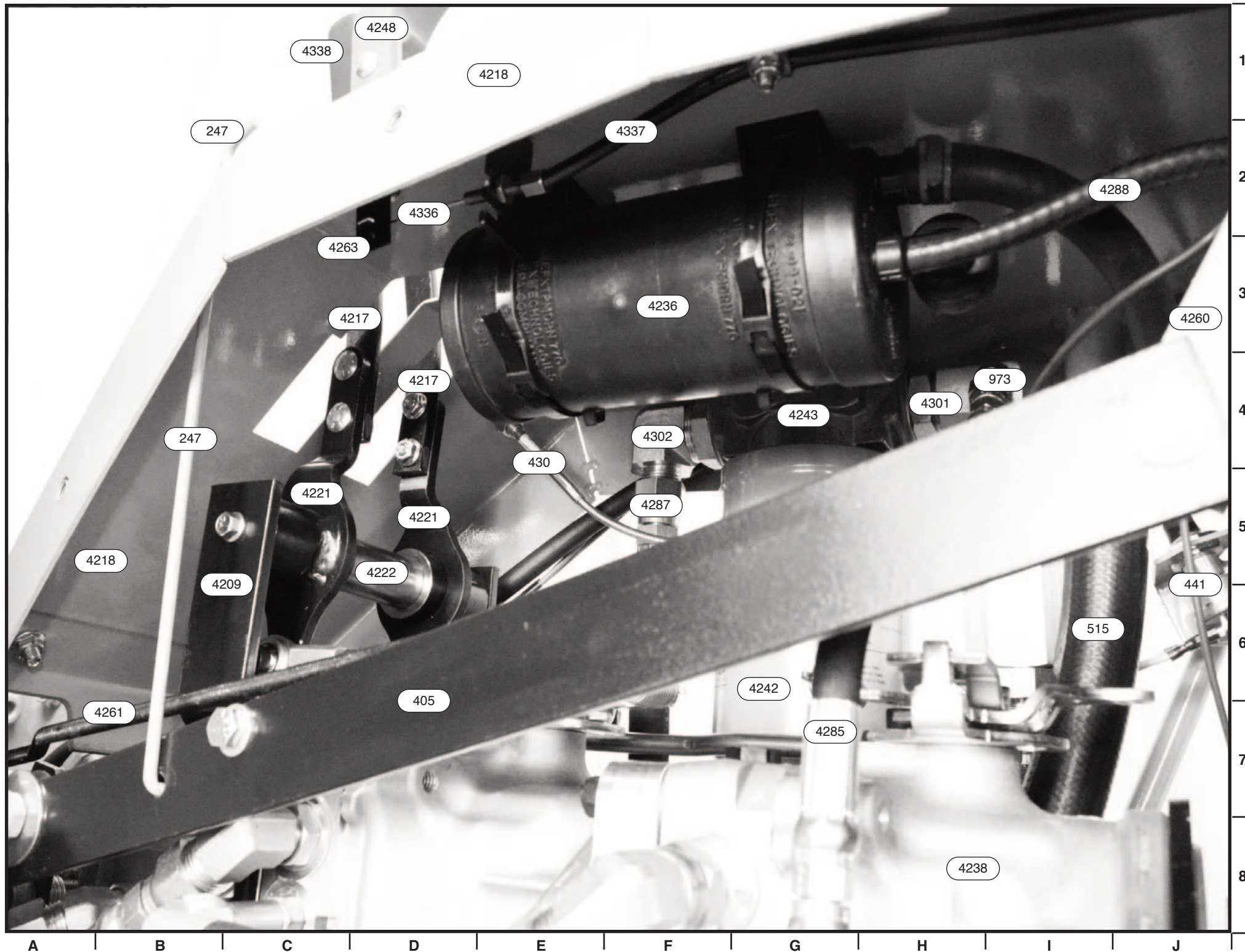


Photo MH-19

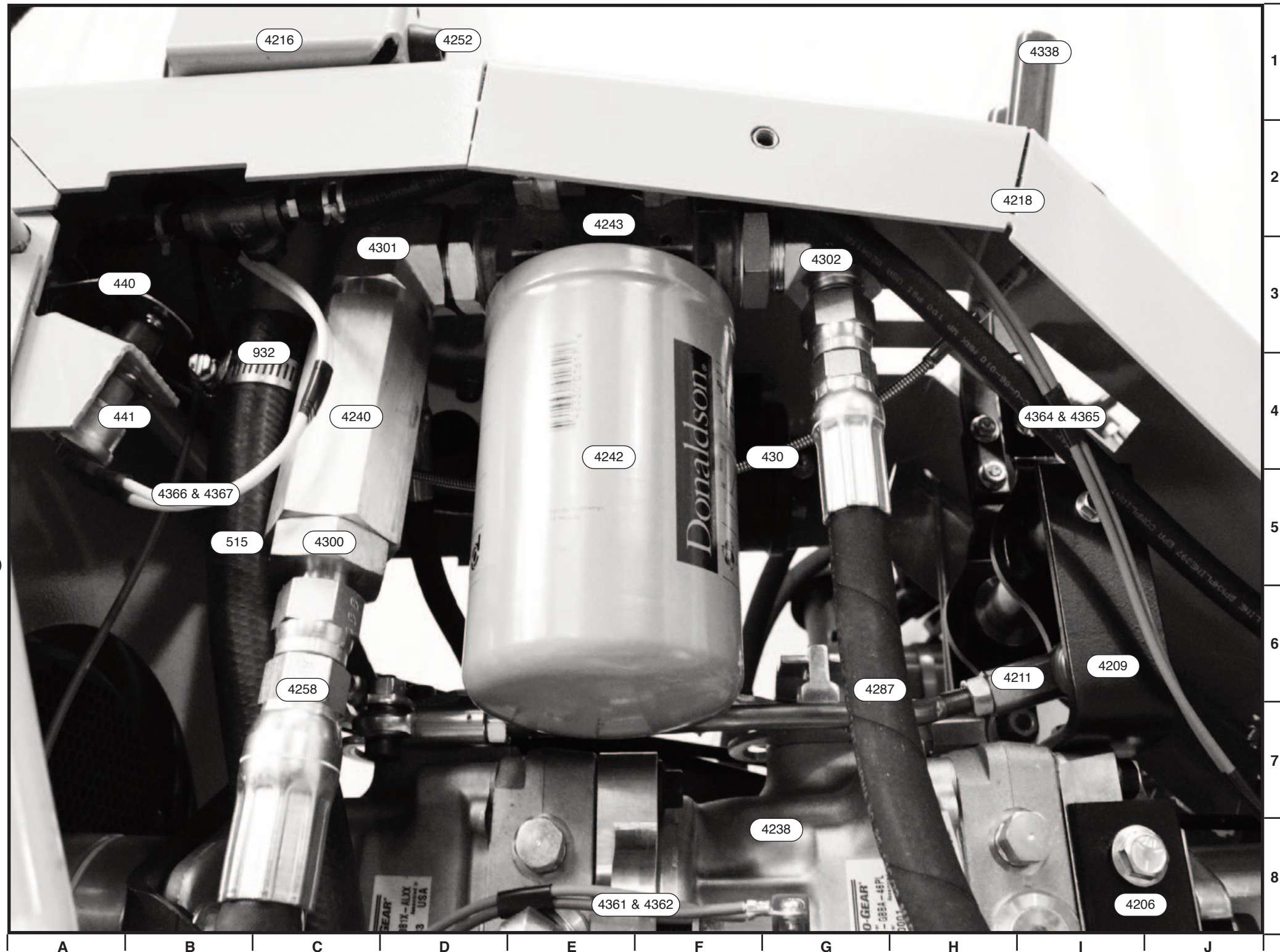
Magnatrac MH4900

Hydraulics - Upper Left

Side View

Parts Identified

- 000440 Leaf Spring
- 000441 Interlock Switch
- 000515 Hose, soft, 1" x 14"
- 000932 Hose Clamp, 1" (2)
- 004206 Support Leg (2)
- 004209 Pivot Mount
- 004211 Tie Rod Link (2)
- 004216 Dash Control Mount
- 004218 Dash Enclosure
- 004238 Tandem Piston Pump
- 004240 Check Valve
- 004242 Hydraulic Filter
- 004243 Filter Head
- 004252 Rubber Bumper (2)
- 004258 Hose, 5/8" x 27 3/4"
- 004287 Hose, 1/2 x 66"
- 004300 Fitting, 848-FSO-10x16
- 004301 Fitting, 6815-16x16
- 004302 Fitting, 849-FSO-10x16
- 004338 Handgrip, red (2)
- 004361 Wire, Blue (Gauge to Sensor)
- 004362 Wire, Green (Sensor to Ground)
- 004364 Wire, Gray (Seat to Harness)
- 004365 Wire, Gray (Seat to Ignition)
- 004366 Wire, Yellow (Switch to Switch)
- 004367 Wire, Yellow (Switch to Ignition)



A B C D E F G H I J

1
2
3
4
5
6
7
8

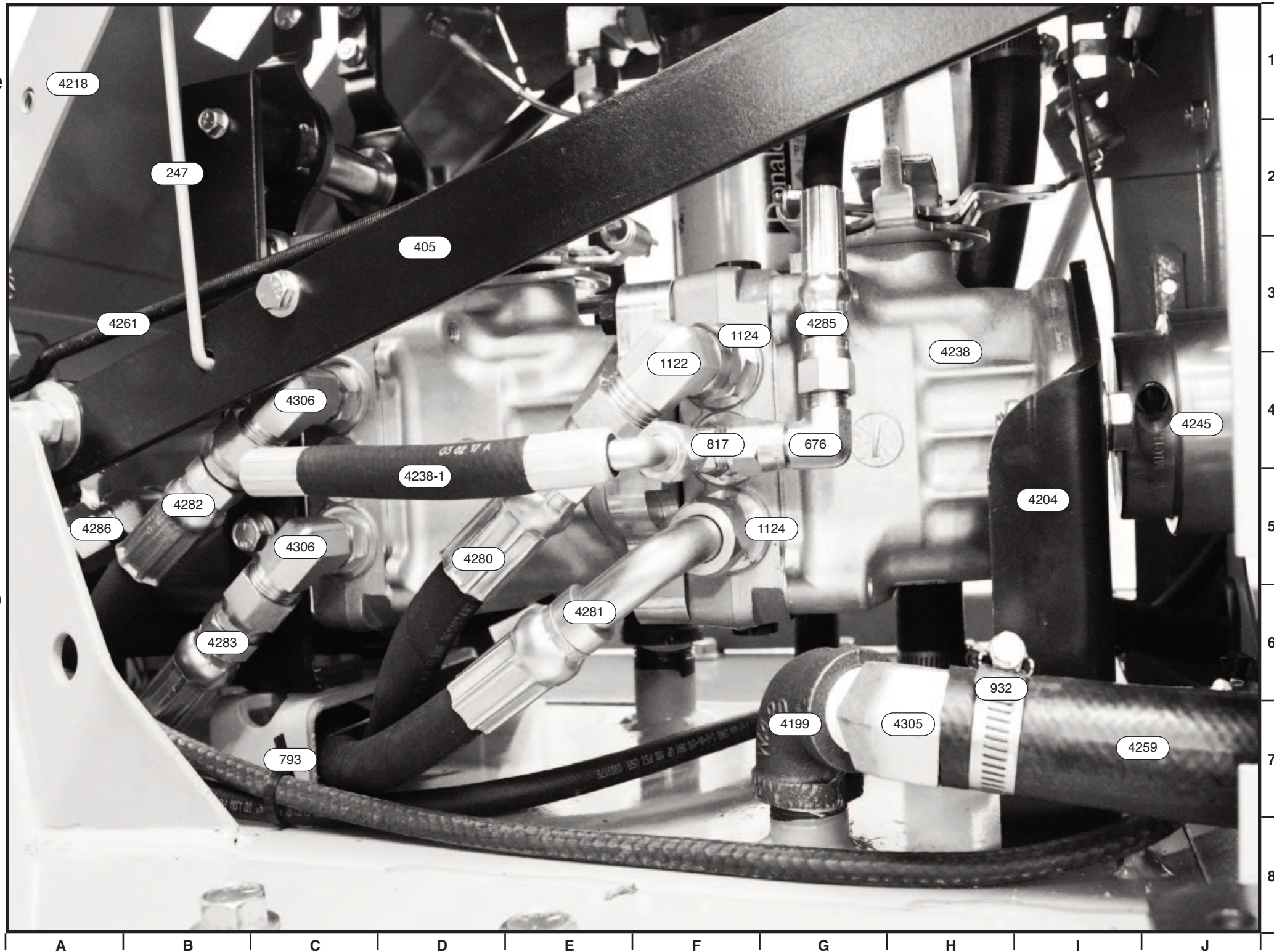
Photo MH-20

Magnatrac MH4900

Hydraulics - Right Side View

Parts Identified

- 000247 Vertical Brake Pull Rod
- 000405 Brake Bar
- 000676 Fitting, 879-FS-06
- 000793 Cable Tie
- 000817 Fitting, "T", 871-FS-06
- 000932 Hose Clamp, 1"
- 001122 Fitting, 879-FS-10
- 001124 Fitting, 848-FSO-10x08 (2)
- 004199 Fitting, BIP, 90 deg, 3/4"
- 004204 Piston Pump Mount
- 004218 Dash Enclosure
- 004238 Tandem Piston Pump
- 004238-1 Hose, flow delivery hose
- 004241 Gear Pump
- 004245 Hub, Pump Side
- 004259 Hose, soft, 1" x 25"
- 004261 Pull Rod Assembly
- 004280 Hose, 1/2" x 22"
- 004281 Hose, 1/2" x 19"
- 004282 Hose, 1/2" x 9 1/2"
- 004283 Hose, 1/2" x 11 1/2"
- 004285 Hose, 1/4" x 9 1/2"
- 004305 Fitting, 4503-16x12
- 004306 Fitting, 849-FSO-10x08 (2)



4218

247

405

4261

4306

1124

4285

4238

1122

4245

817

676

4238-1

4204

4282

4286

4306

4280

1124

4281

4283

932

4199

4305

4259

793

A

B

C

D

E

F

G

H

I

J

1
2
3
4
5
6
7
8

Photo MH-21
Magnatrac MH4900
Hydraulics - Right
Side, Close Up View

Parts Identified

- 000676 Fitting, 879-FS-06
- 000817 Fitting, "T", 871-FS-06
- 001122 Fitting, 879-FS-10
- 001124 Fitting, 848-FSO-10x08 (2)
- 004204 Piston Pump Mount
- 004238 Tandem Piston Pump
- 004238-1 Hose, flow delivery
- 004245 Hub, Pump Side
- 004244 Hub, Engine Side
- 004246 Coupling Insert
- 004280 Hose, 1/2" x 22"
- 004281 Hose, 1/2" x 19"
- 004285 Hose, 1/4" x 9 1/2"

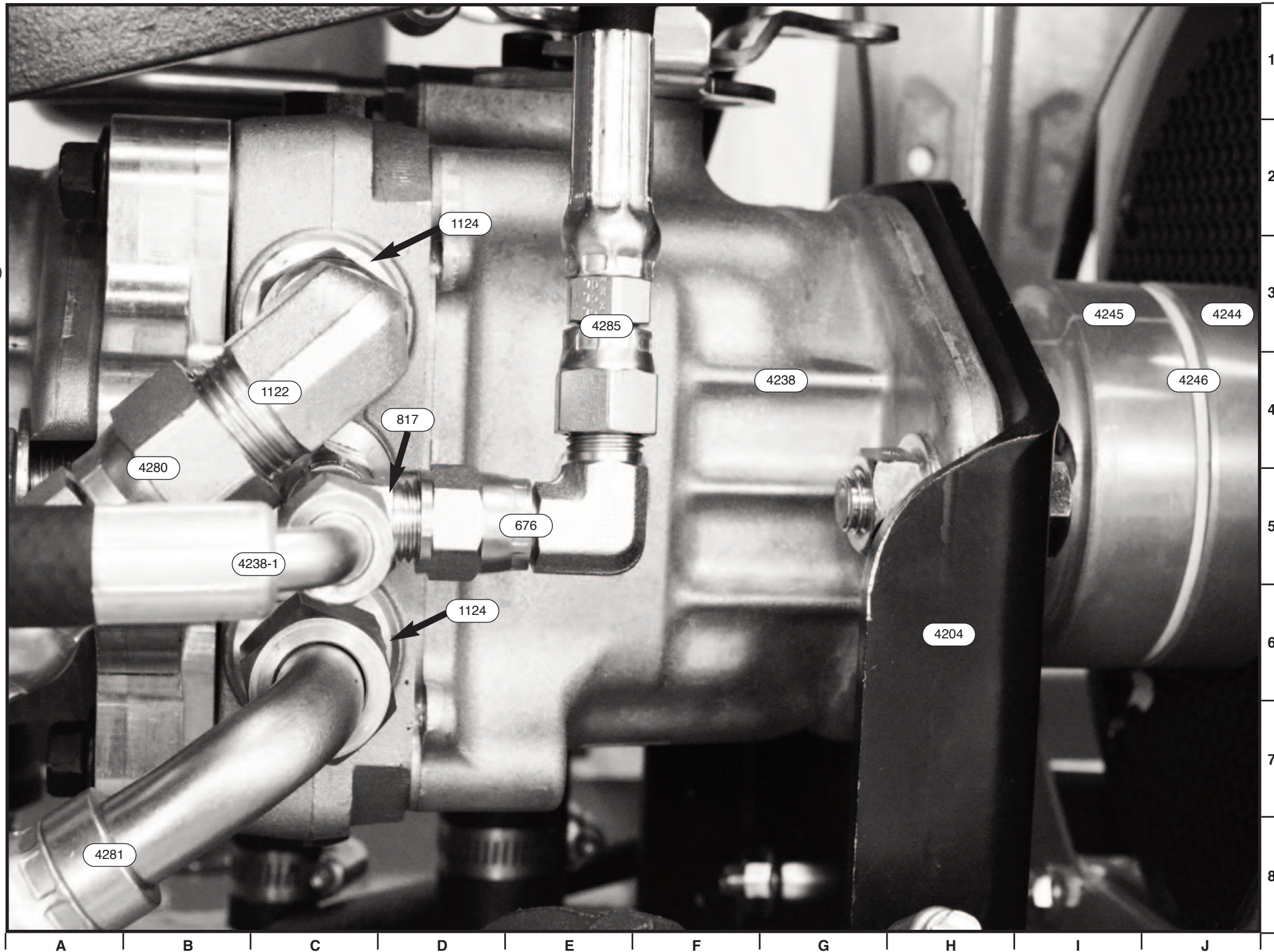


Photo MH-22

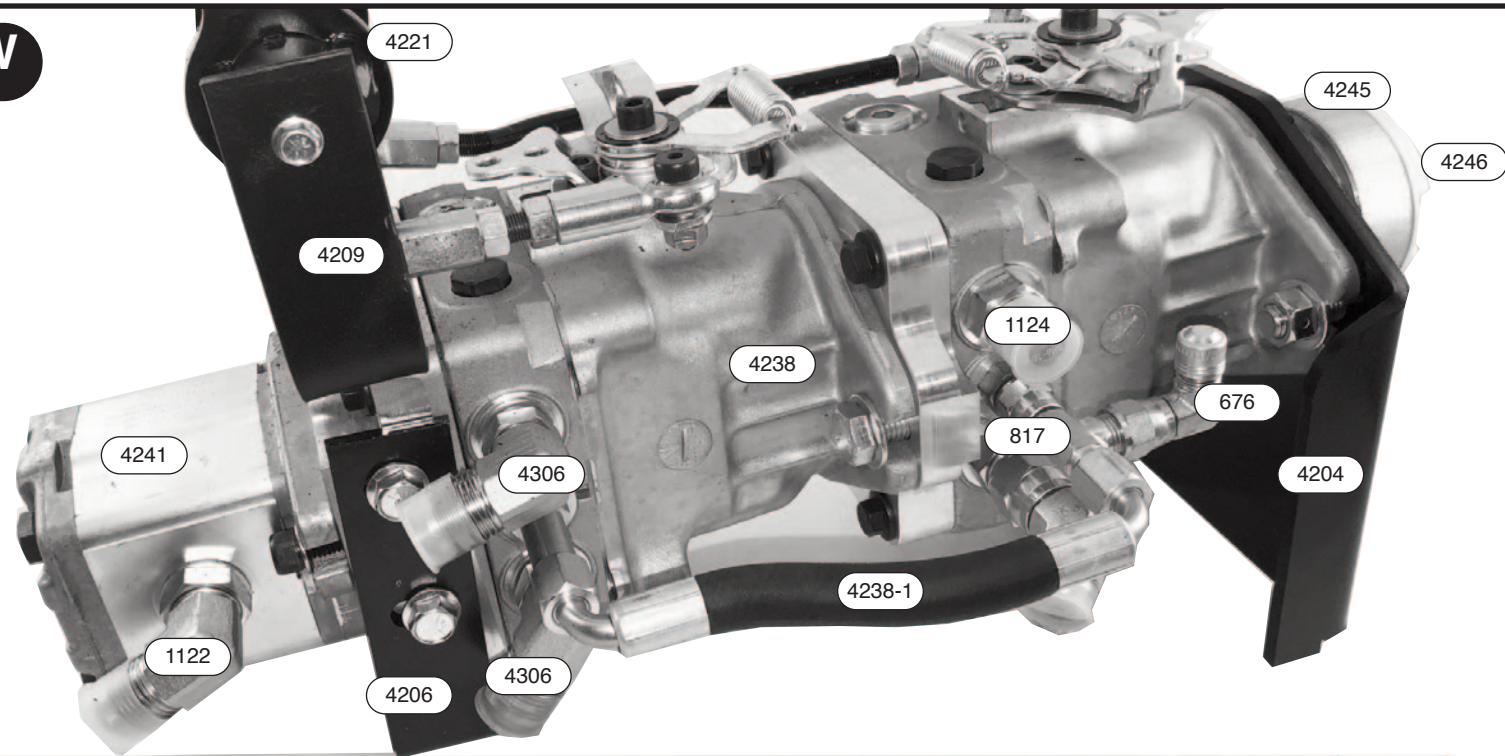
Magnatrac MH4900

Hydraulics - Piston Pump Assembly

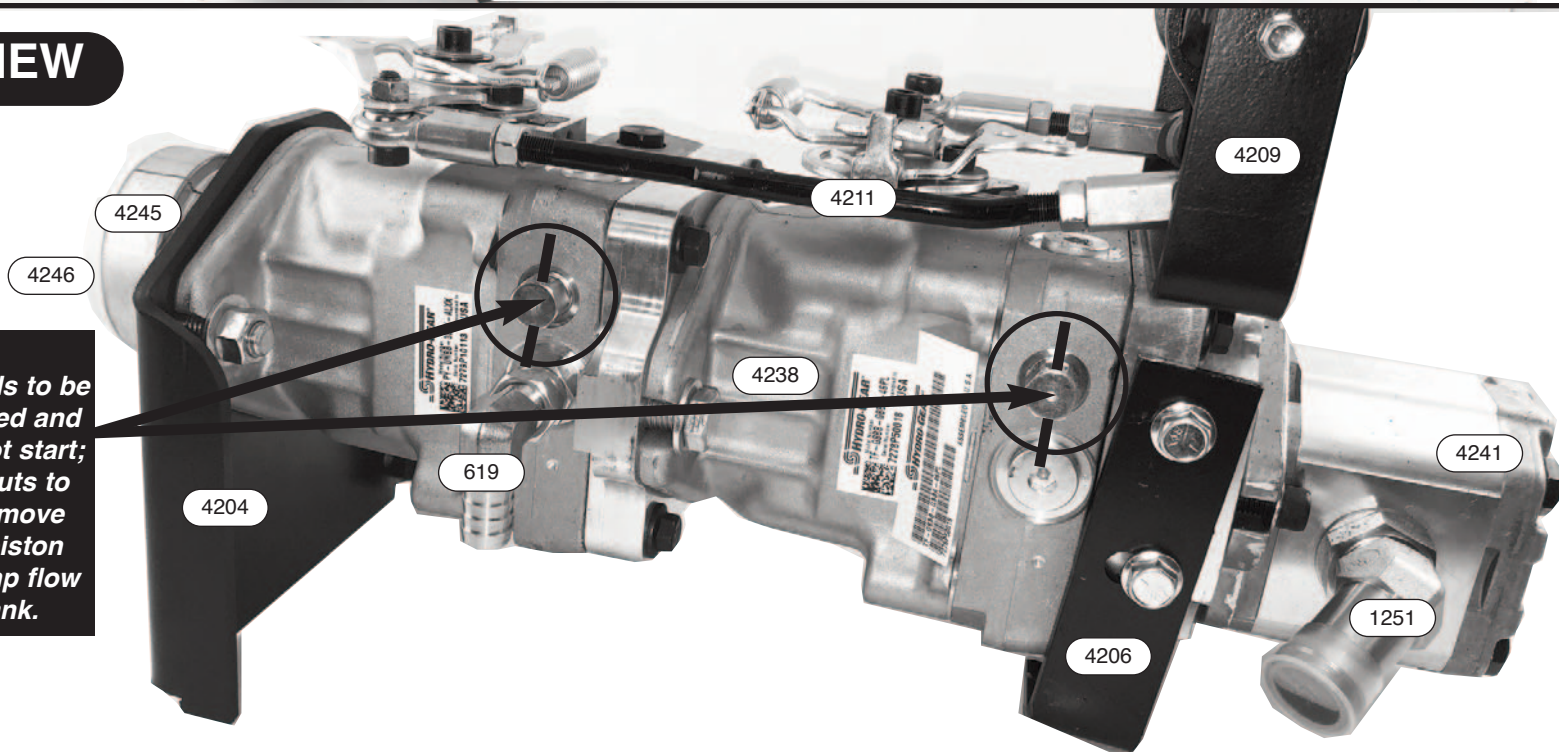
Parts Identified

000676	Fitting, 879-FS-06
000619	Fitting, KF10-06PS90
000817	Fitting, "T", 871-FS-06
001122	Fitting, 879-FS-10
001124	Fitting, 848-FSO-10x08 (2)
001251	Fitting, 4603-16x12
004238	Tandem Piston Pump
004238-1	Hose, flow delivery
004204	Piston Pump Mount
004206	Support Leg (2)
004209	Pivot Mount
004211	Tie Rod Link (2)
004221	Track Handle Pivot (2)
004241	Gear Pump
004245	Hub, Pump Side
004246	Coupling Insert
004306	Fitting, 849-FSO-10x08 (2)

RIGHT VIEW



LEFT VIEW



NOTE:
 If machine needs to be pushed or pulled and engine does not start; rotate these nuts to allow flow to move through the piston pump and dump flow back into tank.

A | B | C | D | E | F | G | H | I | J

1
2
3
4
5
6
7
8

Photo MH-23 Magnatrac MH4900 Hydraulics - Filter Assembly

Parts Identified

000973	Fitting, 854-FS-06x04 (Not shown)
004240	Check Valve
004242	Hydraulic Filter
004243	Filter Head
004258	Hose, 5/8" x 27 3/4"
004285	Hose, 1/4" x 9 1/2"
004287	Hose, 1/2 x 66" (No HC74)
004300	Fitting, 848-FSO-10x16
004301	Fitting, 6815-16x16
004302	Fitting, 849-FSO-10x16
004333	Hose, 1/2" x 26" (HC74)

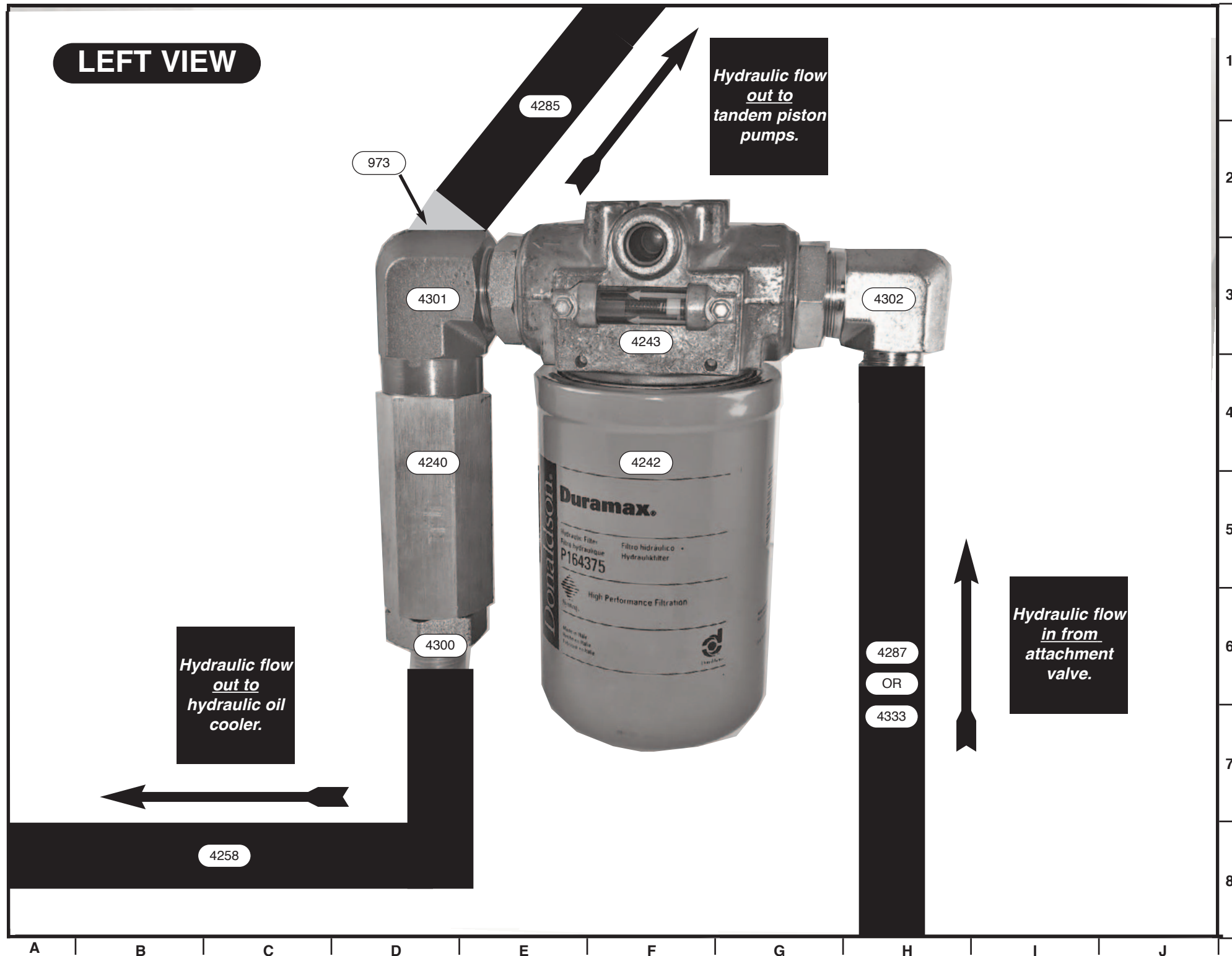


Photo MH-24

Magnatrac MH4900

Hydraulics - Attachment Valve Assembly

Parts Identified

001041R-2 PTO/Accessory Safety Switch	004332 Hose, Return, 1/2 x 40"
001052 Handle (5)	004286 Hose, Pressure, 1/2 x 42"
004331 Attachment Valve	004335 Hose, Pressure Aux-2, 1/2 x 47"
004331-1 Relief Valve (8)	

Attachment Operations:

Loader:

A	Bucket - Dump
B	Bucket - Rollback
C	Bucket - Lower / Float
D	Bucket - Raise
E	Cylinder - Close (Grapple or CK29 for Angling Blade)
F	Cylinder - Open (Grapple or CK29 for Angling Blade)

6-Way Blade:

A	Tilt - Right Corner Lower
B	Tilt - Right Corner Raise
C	Lift - Blade Lower / Float
D	Lift - Blade Raise
E	Angle - Rotate Left
F	Angle - Rotate Right

3 Pt. Rear Hitch:

G	Hitch - 3 pt. Hitch Lower / Float
H	Hitch - 3 pt. Hitch Raise

HC74 Auxiliaries:

1	Front (Mini-Skid Steer) (On some MH4900s decals shown as OVERDRIVE)
2	Rear (PTO or Backhoe) (On some MH4900s decals shown as ACCESSORY)

Type of Valve Section:

S	Standard Section (Handle goes to neutral when released).
F	Float Section (Allows attachment to "float" over the soil). Push handle fully forward into a forward lock position.
SD	Standard Section with Dentent (Handle goes forward without floating)

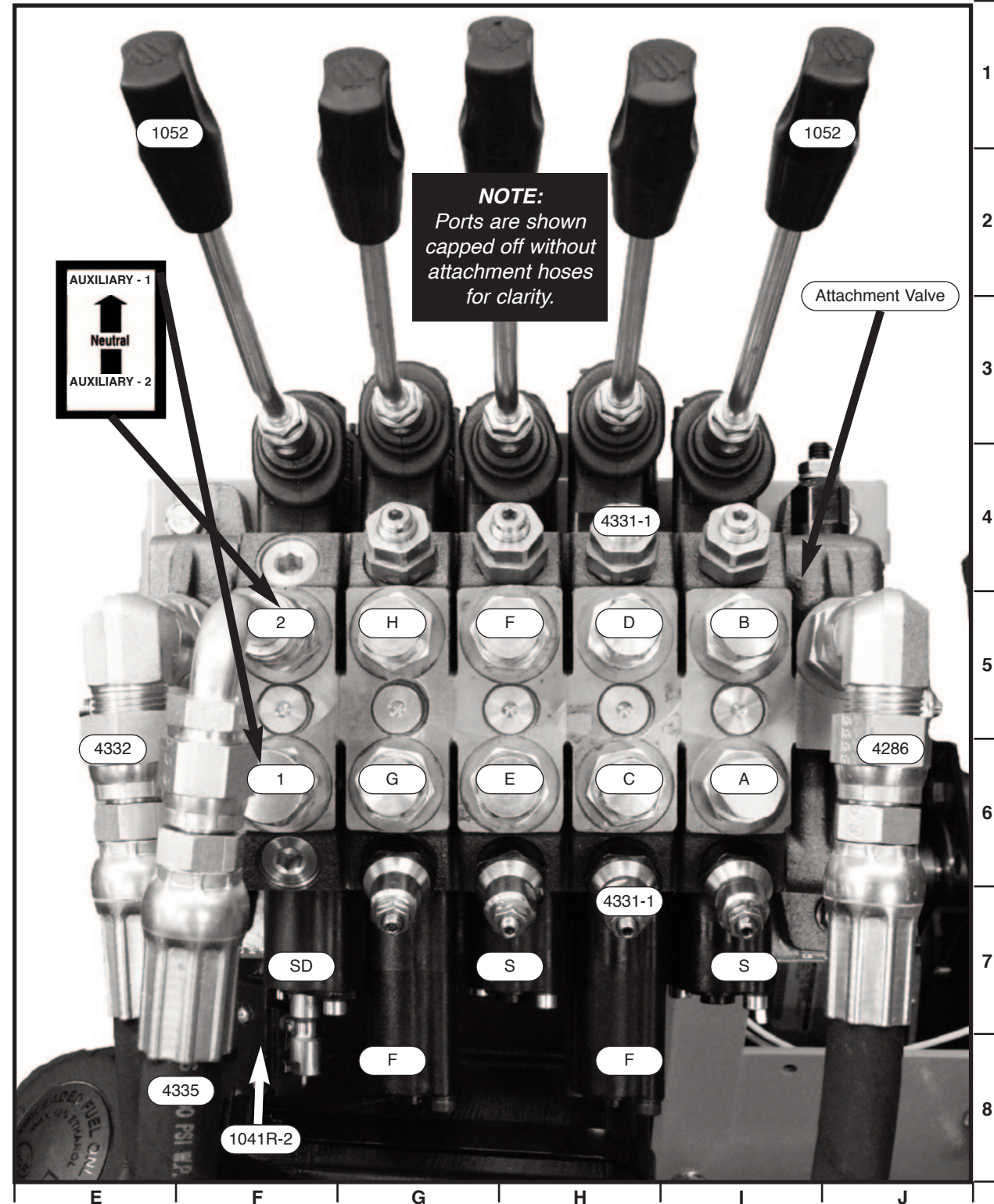


Photo MH-25 Magnatrac MH4900 Hydraulics - Hydraulic Diagram

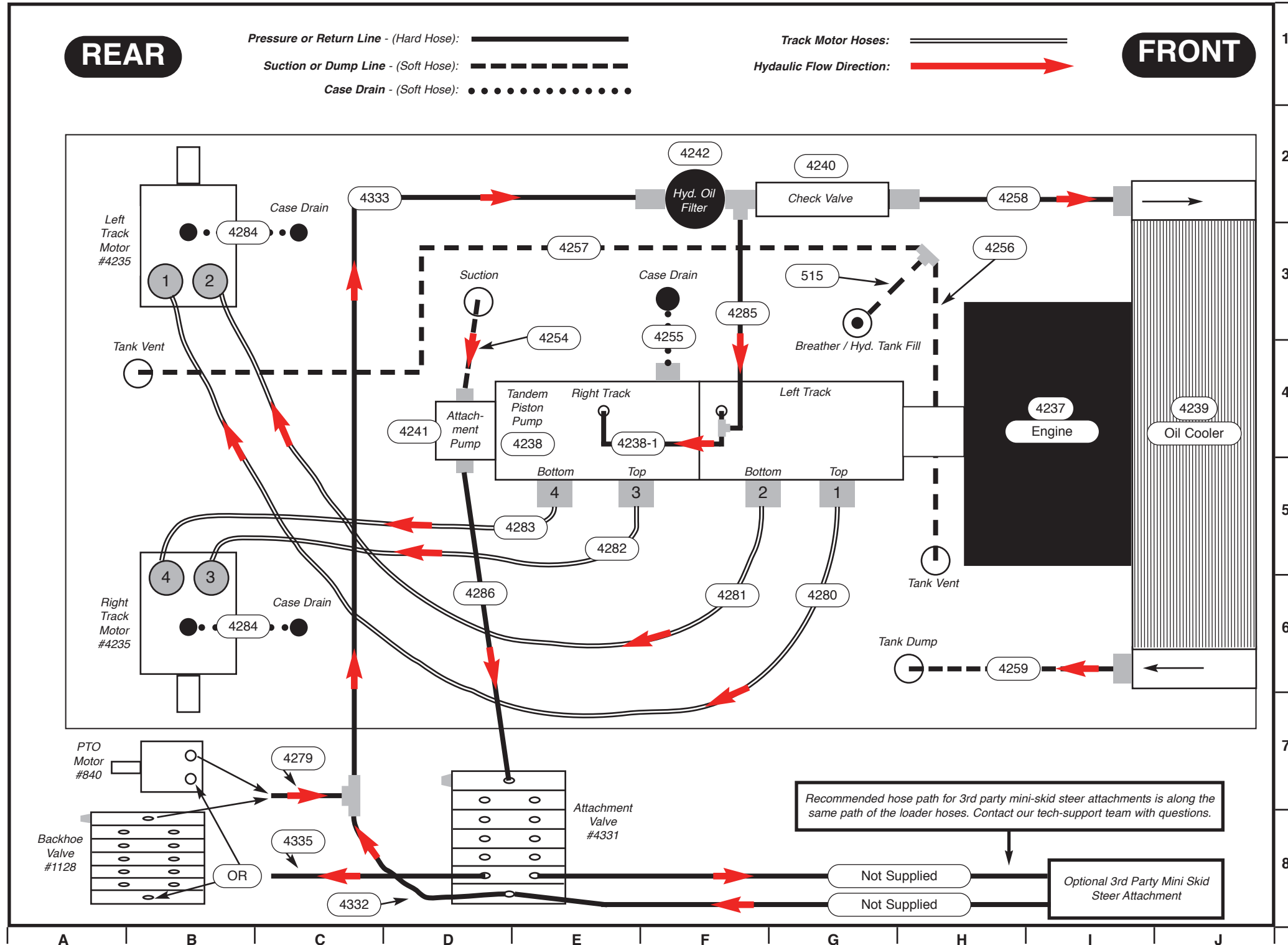
Parts Identified

- 000515 Hose, soft, 1" x 14"
- 004235 Track Motor (2)
- 004237 Engine, Honda GX690
- 004238 Tandem Piston Pump
- 004238-1 Hose, flow delivery
- 004239 Hyd. Oil Cooler
- 004240 Check Valve
- 004241 Attachment Pump
- 004242 Hydraulic Filter
- 004243 Filter Head (Not Shown)
- 004254 Hose, soft, 1" x 6 1/4"
- 004255 Hose, soft, 5/8" x 4 1/2"
- 004256 Hose, soft, 1/4" x 27"
- 004257 Hose, soft, 1/4" x 36"
- 004258 Hose, 5/8" x 27 3/4"
- 004259 Hose, soft, 1" x 25"
- 004279 Hose, 1/2" x 13 1/2"
- 004280 Hose, 1/2" x 22"
- 004281 Hose, 1/2" x 19"
- 004282 Hose, 1/2" x 9 1/2"
- 004283 Hose, 1/2" x 11 1/2"
- 004284 Hose, 1/4" x 6 1/2" (2)
- 004285 Hose, 1/4" x 9 1/2"
- 004286 Hose, 1/2" x 42"
- 004287 Hose, 1/2" x 66"
- 004331 Attachment Valve
- 004332 Hose, 1/2" x 40"
- 004333 Hose, 1/2" x 26"
- 004335 Hose, 1/2" x 47"

Optional:

- 001128 Backhoe Valve
- 000840 PTO Motor

Shown with optional HC74 -
Hydraulic Circuit Hoses: 004279,
004332, 004333, 004335.



Recommended hose path for 3rd party mini-skid steer attachments is along the same path of the loader hoses. Contact our tech-support team with questions.

Not Supplied
Not Supplied
Optional 3rd Party Mini Skid Steer Attachment

Photo MH-26

Magnatrac MH4900

Drive - Top Rear View

Parts Identified

- 000208 Rocker Assembly, left
- 000219 Pivot Rod (not shown)
- 000222 Rocker Assembly, right
- 000225L Left Brake Caliper
- 000225R Right Brake Caliper
- 000246 Evener Rod
- 000252 Bearing & 2 Shells (2)
- 000249 Support
- 000522 Fitting, 90 case drain (2)
- 000527 Fitting, straight (2)
- 000851 Fitting, 849-FSO-10x10 (2)
- 001235 Snap Ring (4)
- 004002L Left Brake Mount
- 004002R Right Brake Mount
- 004005 Brake Disk Drive (2)
- 004007 #60 Chain (2)
- 004011L Left Fender
- 004011R Right Fender
- 004163 Clamp, hose
- 004200 Motor Hub Shaft (2)
- 004201L Left Motor Mount
- 004201R Right Motor Mount
- 004202L Left Motor Box
- 004202R Right Motor Box
- 004203 Upper Frame
- 004218 Dash Enclosure
- 004235 Track Motor (2)
- 004257 Hose, soft, 1/4 x 36"
- 004261 Pull Rod Assembly
- 004280 Hose, 1/2" x 22"
- 004281 Hose, 1/2" x 19"
- 004282 Hose, 1/2" x 9 1/2"
- 004283 Hose, 1/2" x 11 1/2"
- 004284 Hose, case drain (2)

Note

Track motors may differ in appearance & manufacturer.

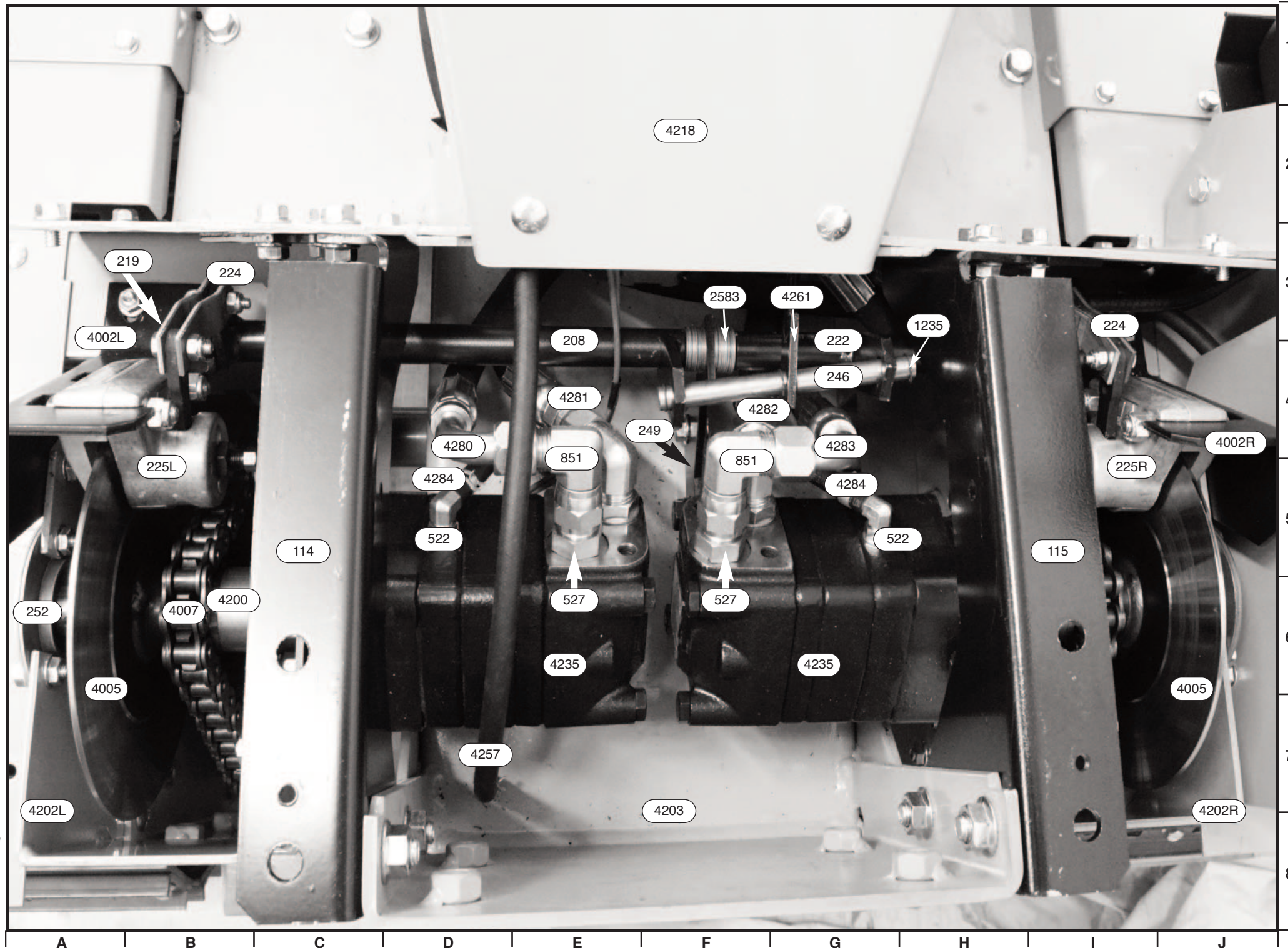


Photo MH-27

Magnatrac MH4900

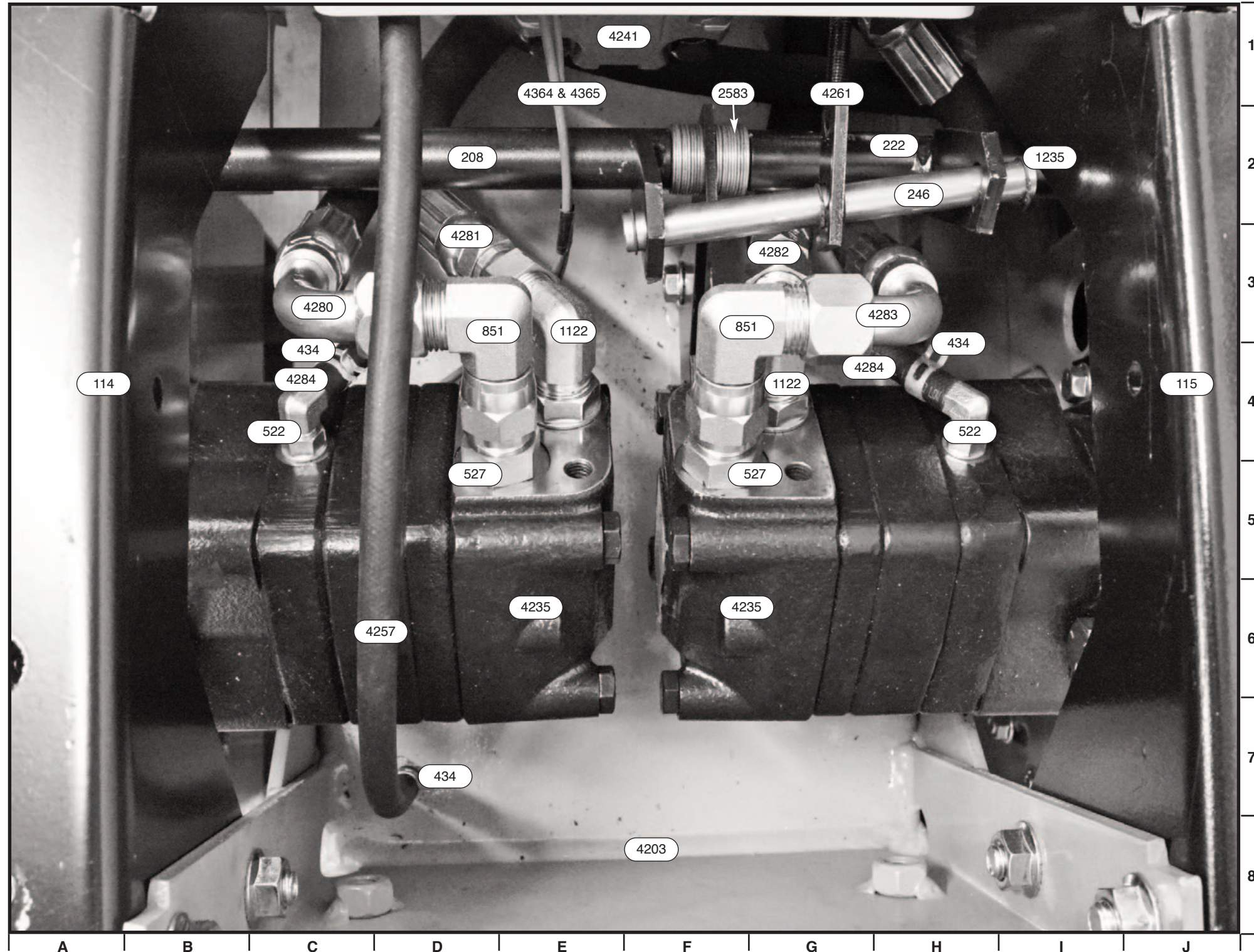
Drive - Close Up Motor View

Parts Identified

- 000114 Brace, left
- 000115 Brace, right
- 000208 Rocker Assembly, left
- 000222 Rocker Assembly, right
- 000246 Evener Rod
- 000434 Hose Clamp (5)
- 000522 Fitting, 90 case drain (2)
- 000527 Fitting, 848-FSO-10x10
- 000851 Fitting, 849-FSO-10x10 (2)
- 001122 Fitting, 879-FS-10 (2)
- 001235 Snap Ring (4)
- 004203 Upper Frame
- 004235 Track Motor (2)
- 004241 Attachment Pump
- 004257 Hose, soft, 1/4 x 36"
- 004261 Pull Rod Assembly
- 004280 Hose, 1/2" x 22"
- 004281 Hose, 1/2" x 19"
- 004282 Hose, 1/2" x 9 1/2"
- 004283 Hose, 1/2" x 11 1/2"
- 004284 Hose, soft, (2)
- 004364 Wire, Gray (Seat to Harness)
- 004365 Wire, Gray (Seat to Ignition)

Note

Track motors may differ in appearance and manufacturer.



A B C D E F G H I J

1
2
3
4
5
6
7
8

Photo MH-28

Magnatrac MH4900

Drive - Top Right Side View

Parts Identified

- 000060 Cap, 830-FS-10 (2)
- 000070 Fitting, "T"
- 000225R Brake Caliper, Right
- 000252 Bearing (2)
- 000522 Fitting, 90 case drain (2)
- 000527 Fitting, 848-FSO-10x10 (2)
- 000851 Fitting, 849-FSO-10x10 (3)
- 001122 Fitting, 879-FS-10 (2)
- 001990 Hose Clip
- 004002R Brake Mount, right
- 004005 Disk Drive (2)
- 004202R Motor Box, right
- 004200 Shaft (2)
- 004235 Track Motor (2)
- 004241 Attachment Pump
- 004257 Hose, soft, 1/4" x 36"
- 004280 Hose, 1/2" x 22"
- 004281 Hose, 1/2" x 19"
- 004282 Hose, 1/2" x 9 1/2"
- 004283 Hose, 1/2" x 11 1/2"
- 004286 Hose, 1/2" x 42"

HC74 Hydraulic Circuit Hoses

- 004279 Hose, 1/2" x 13 1/2"
- 004332 Hose, 1/2" x 40"
- 004333 Hose, 1/2" x 26"
- 004335 Hose, 1/2" x 47"

Note

Shown without parking brake linkage and left and right braces for clarity. Track motors may differ in appearance and manufacturer. HC74 Hydraulic Circuit Hoses are optional.

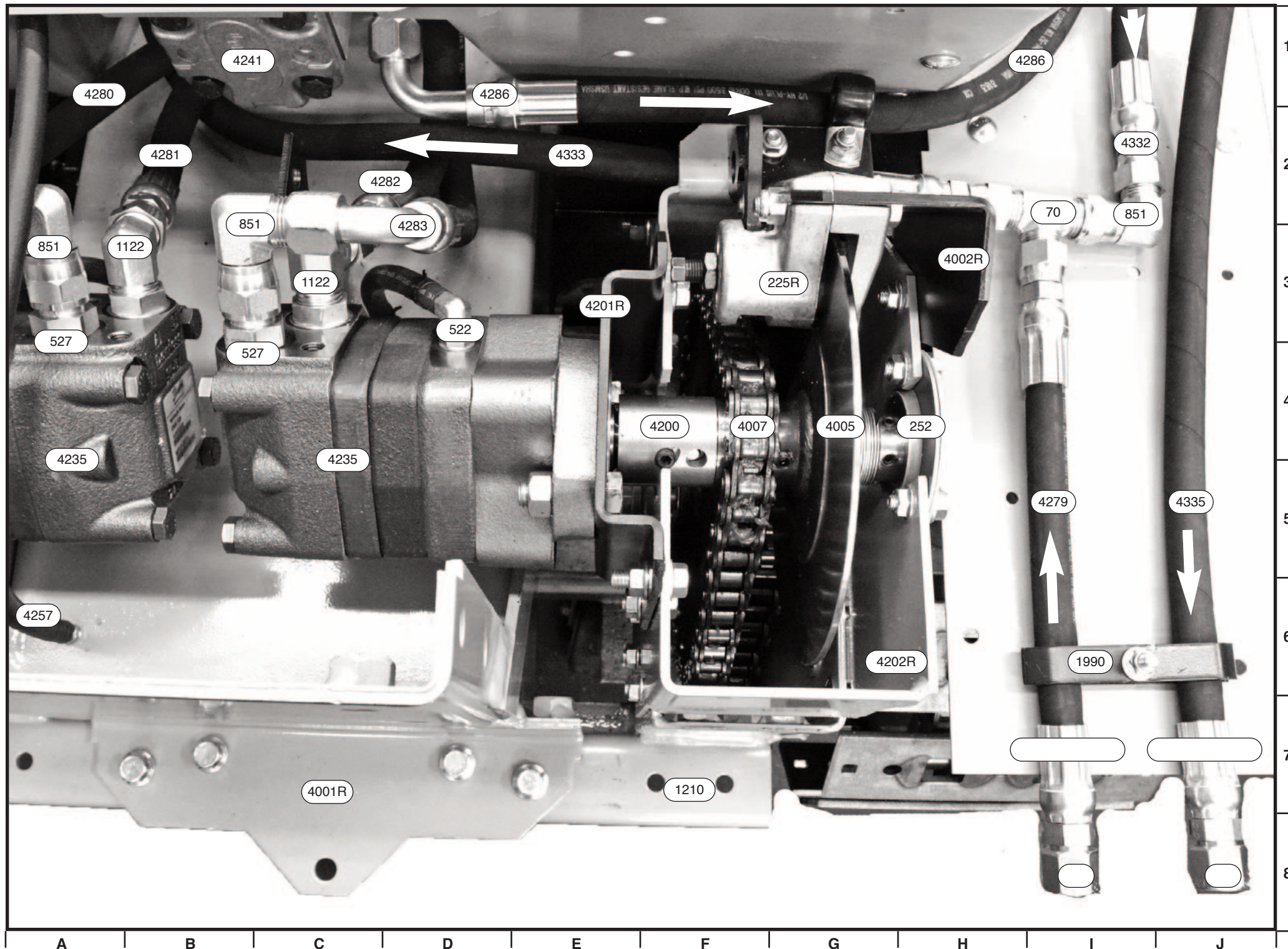


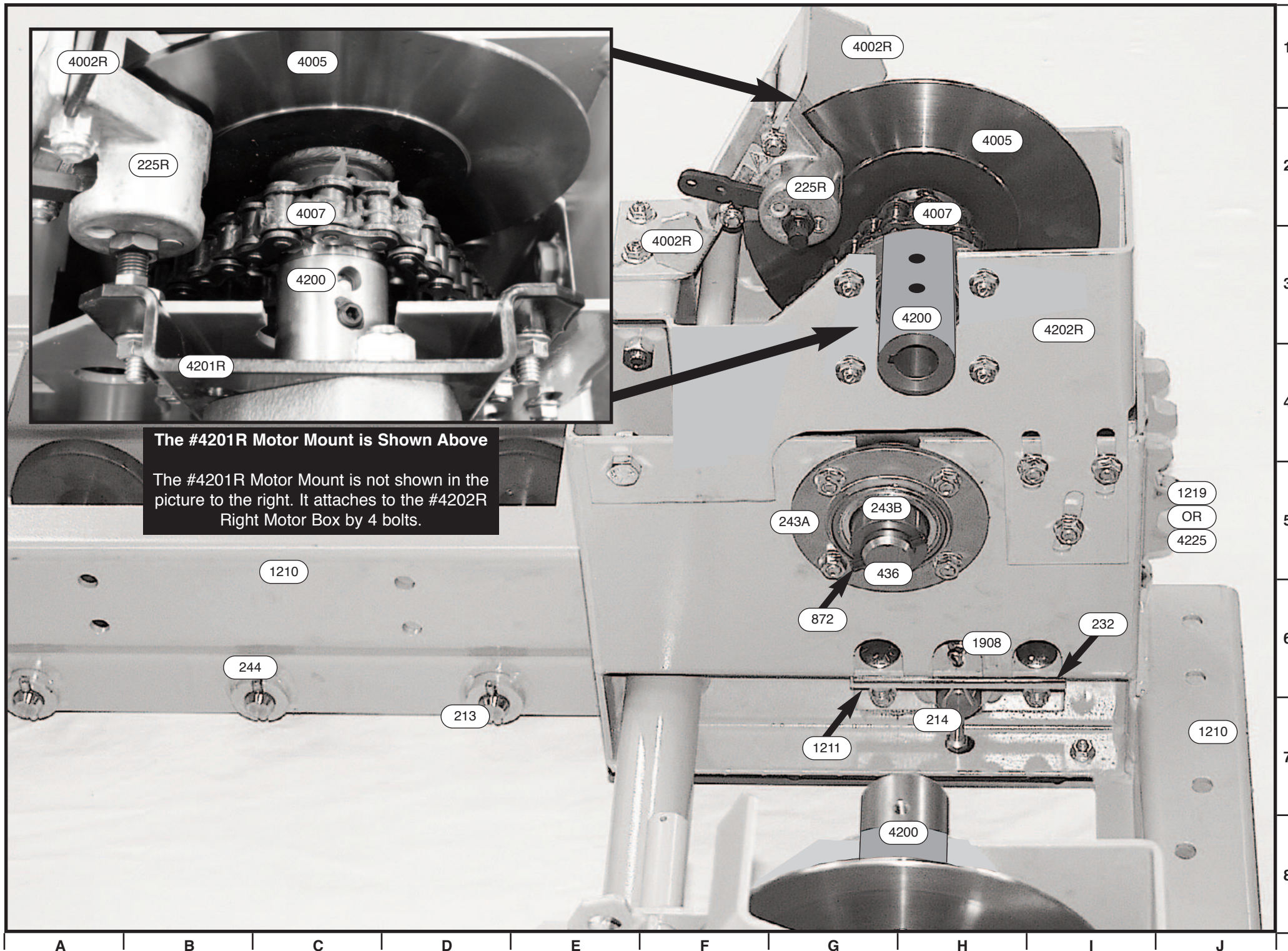
Photo MH-29

Magnatrac MH4900

Drive - Inside Right View

Parts Identified

- 000213 Center Axles
- 000214 Rear Axle
- 000225R Brake Caliper, right
- 000232 Shims, #80 chain
- 000244 Spring Pin, 1/4" x 1 1/2"
- 000436 Shaft
- 000872 Roll Pin
- 001210 Lower Frame
- 001211 Axle Support
- 001219 Rear Drive, (TSU551)
- 001908 Cotter Pin, 3/16" x 1 3/4"
- 004002R Brake Mount, right
- 004005 Disk Drive
- 004007 Chain, #60
- 004200 Hub Shaft
- 004002R Right Brake Mount
- 004201R Motor Mount, right
- 004202R Motor Box, right
- 004225 Rear Drive, (Standard)

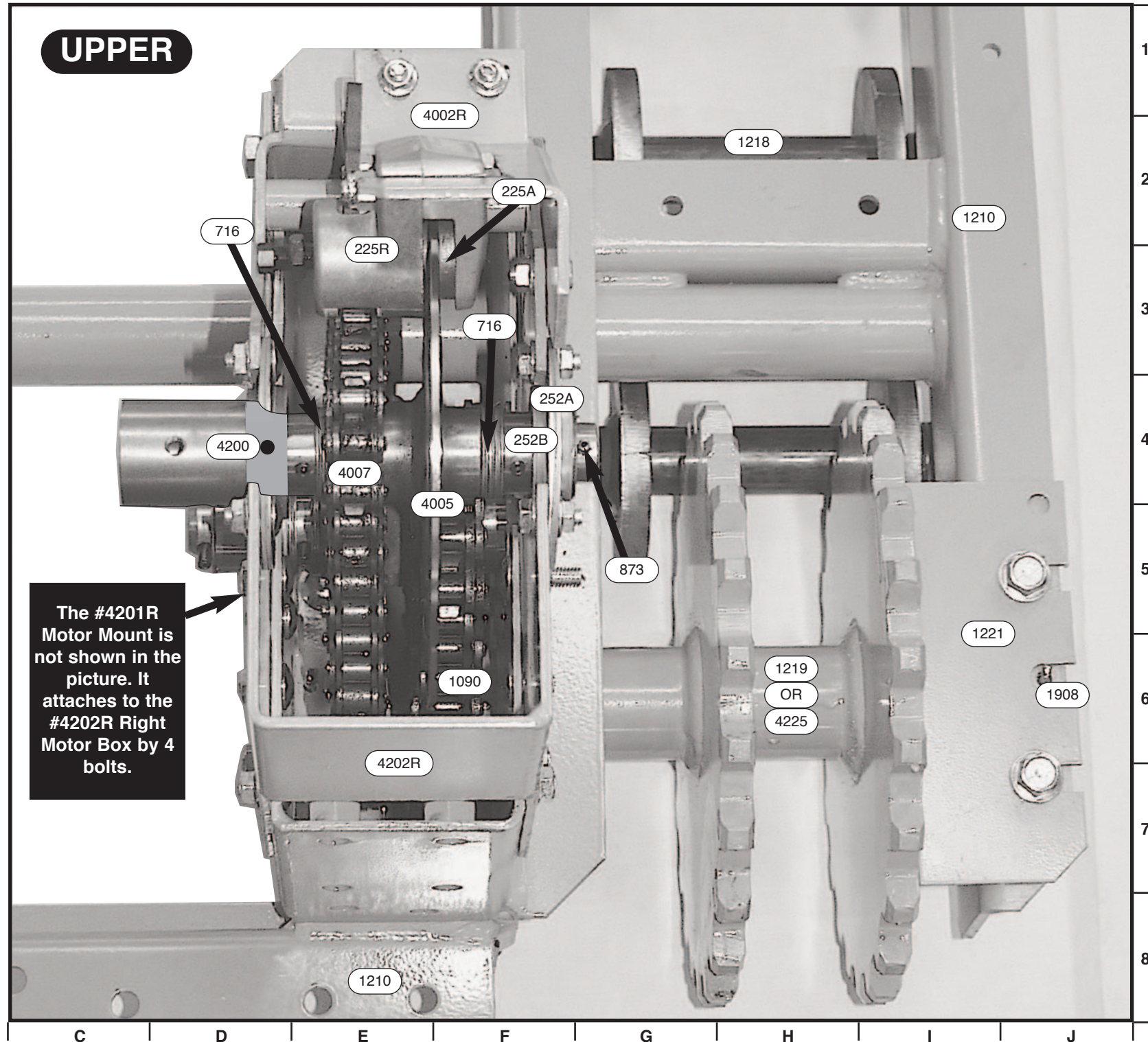


The #4201R Motor Mount is Shown Above
 The #4201R Motor Mount is not shown in the picture to the right. It attaches to the #4202R Right Motor Box by 4 bolts.

Photo MH-30 Magnatrac MH4900 Drive - Upper Right, Disk Drive View

Parts Identified

- 000225R Brake Caliper Right
- 000225A Brake Pad
- 000252A Bearing Shells (2 per bearing)
- 000252B Bearing (2)
- 000714 Key, 1/4" x 1 3/4" (Not shown)
- 000716 Washer
- 000873 Roll Pin, 3/16" x 2"
- 001090 Chain, #80
- 001210 Lower Frame
- 001218 Center Idlers (3 or 5)
- 001219 Rear Drive, (TSU551)
- 001221 Cover
- 001908 Cotter Pin, 3/16" x 1 3/4"
- 004002R Brake Mount, right
- 004005 Disk Drive
- 004007 Chain, #60
- 004200 Hub Shaft
- 004202R Motor Box, right
- 004225 Rear Drive, (Standard)



The #4201R Motor Mount is not shown in the picture. It attaches to the #4202R Right Motor Box by 4 bolts.

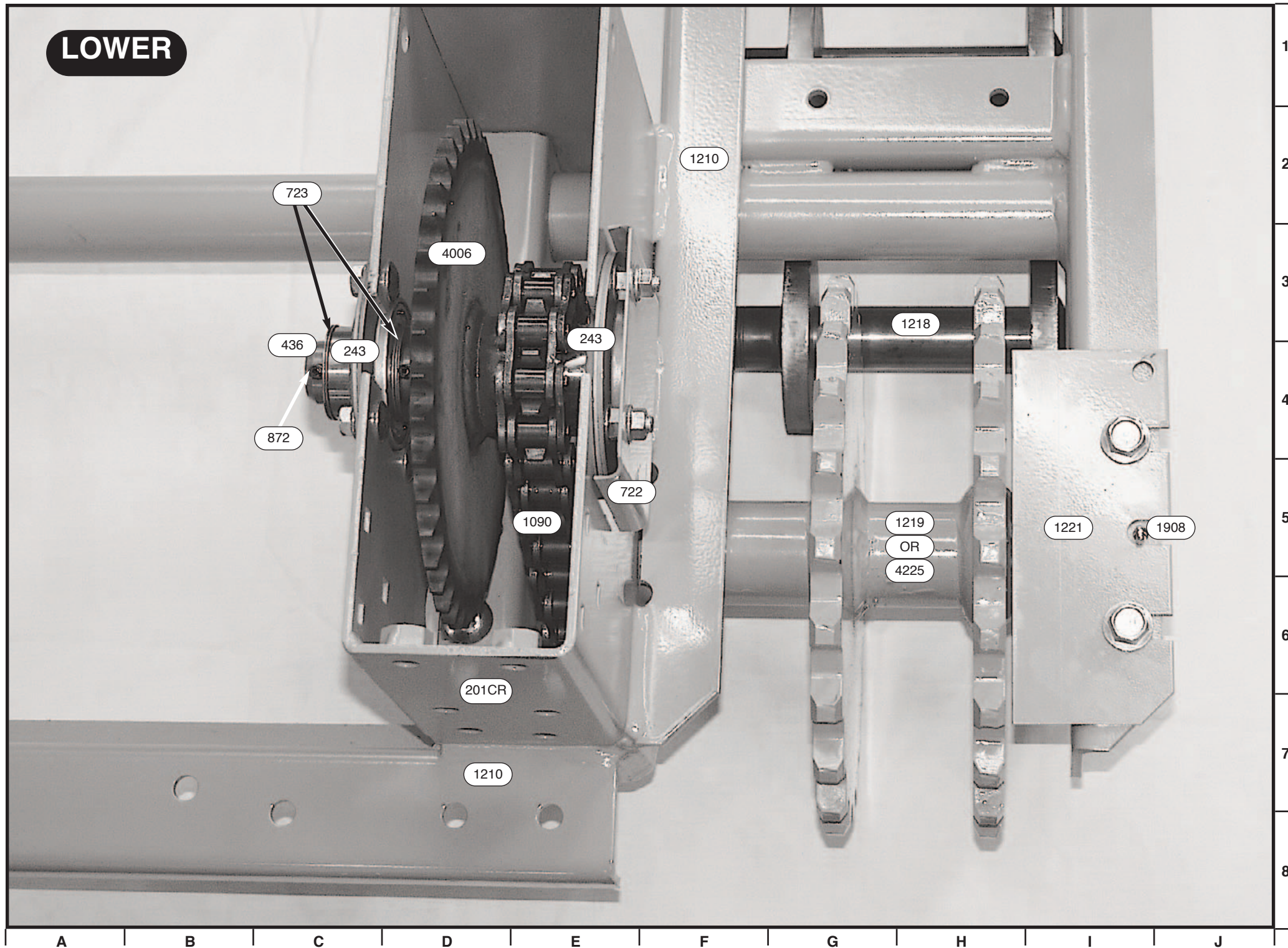
Photo MH-31

Magnatrac MH4900

Drive - Lower Right, Primary Drive View

Parts Identified

- 000201CR Box
- 000243A Bearing Shells (4)
- 000243B Bearing (2)
- 000436 Shaft
- 000722 Guard
- 000723 Washers
- 000872 Roll Pin
- 000874 Key, (Not Shown)
- 001090 Chain, #80
- 001210 Lower Frame
- 001218 Center Idlers, 4 1/2"
- 001219 Rear Drive, (TSU551)
- 001221 Guard
- 001908 Cotter Pin, 3/16" x 1 3/4"
- 004006 Primary Drive
- 004225 Rear Drive, (Standard)



LOWER

723

4006

1210

436

243

243

872

722

1090

1218

1219

OR

4225

1221

1908

201CR

1210

A B C D E F G H I J

1

2

3

4

5

6

7

8

Photo MH-33

Magnatrac MH4900

Drive - Inside Right

Side View

Parts Identified

- 000213 Axle, idler
- 000214 Rear Axle
- 000225R Brake Caliper, right
- 000232 Shims
- 000436 Shaft
- 000722 Guard
- 000727 Snap Ring
- 001211 Axle Support
- 001218 Idler
- 001908 Cotter Pin
- 004002R Brake Mount
- 004005 Disk Drive
- 004007 Chain, #60
- 004200 Hub Shaft
- 004202R Motor Box, (Right)

The #4202R Motor Box pivots on the 1/2 bolts shown.

Only If Necessary:
Loosen two 1/2" Cap Screws holding *front end* of #4202R Motor Box... tighten securely after your Chain adjustment.

To Tighten #4007 Chain, you must move #4200 Shaft *up* to remove slack in Chain:

Loosen Three (3) 3/8" Carriage Bolts on left & right side of #4202R Motor Box... tighten securely after your Chain adjustment.

To Tighten #1090 Chain, you must move #214 Axle *down* to remove slack in Chain:

Fully loosen two (2) 1/2" Carriage Bolts

Remove #1908 Cotter Pin

Loosen two (2) 3/8" Carriage Bolts

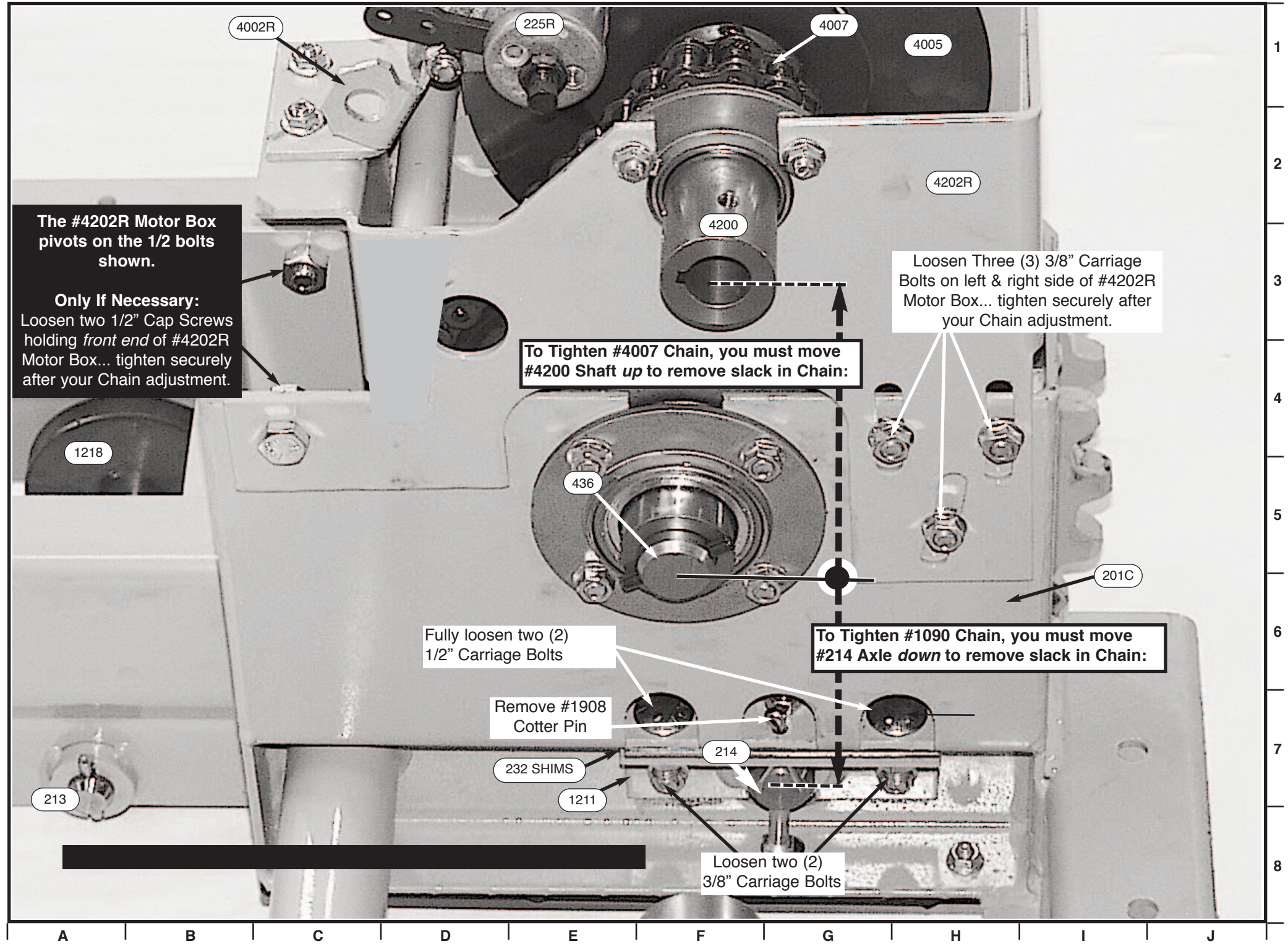


Photo MH-35 Magnatrac MH4900 Drive - Upper & Lower Box, Left Rear View

Parts Identified

- 000208 Rocker assembly, left
- 000214 Rear Axle
- 000219 Pivot rod
- 000224 Brake Pulls
- 000225L Brake Assembly
- 000232 Shim
- 000243 Bearing Assembly
- 000243A Bearing Shell
- 000243B Bearing
- 000246 Evener rod
- 000252 Bearing Assembly
- 000252A Bearing Shell
- 000252B Bearing
- 000714 Key
- 000716 Washer 1"
- 000722 Guard
- 000723 Washer
- 000724 Primary Drive
- 000872 Roll Pin
- 000874 Key
- 001211 Axle Support
- 001908 Cotter Pin
- 002583 Washer 5/8
- 004002L Brake Mount, left
- 004005 Disk Drive
- 004006 Primary Drive
- 004007 #60 Chain
- 004200 Motor Hub Shaft
- 004201L Motor Mount, left
- 004202L Motor Box, left
- 004235 Track Motor (2)

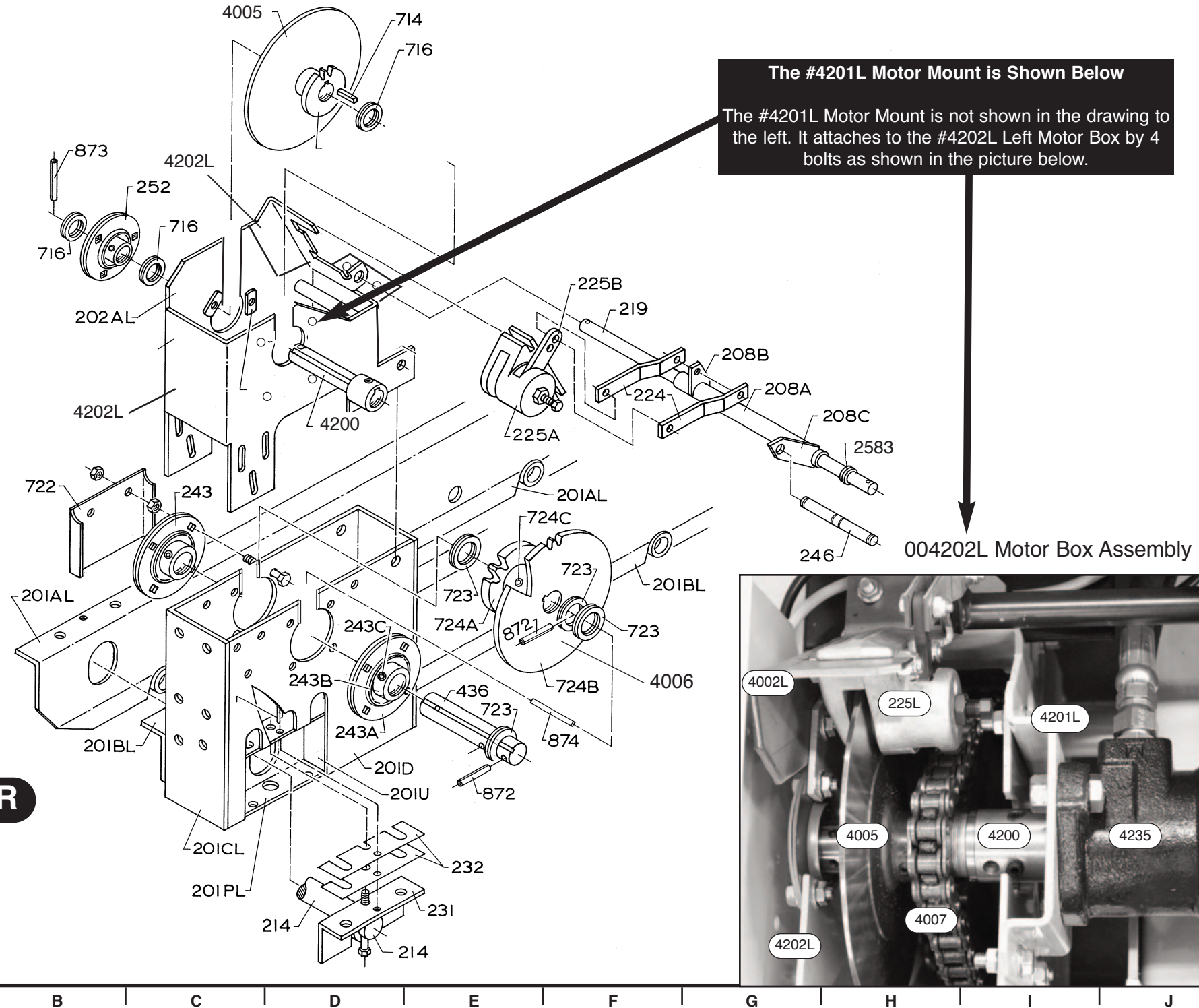
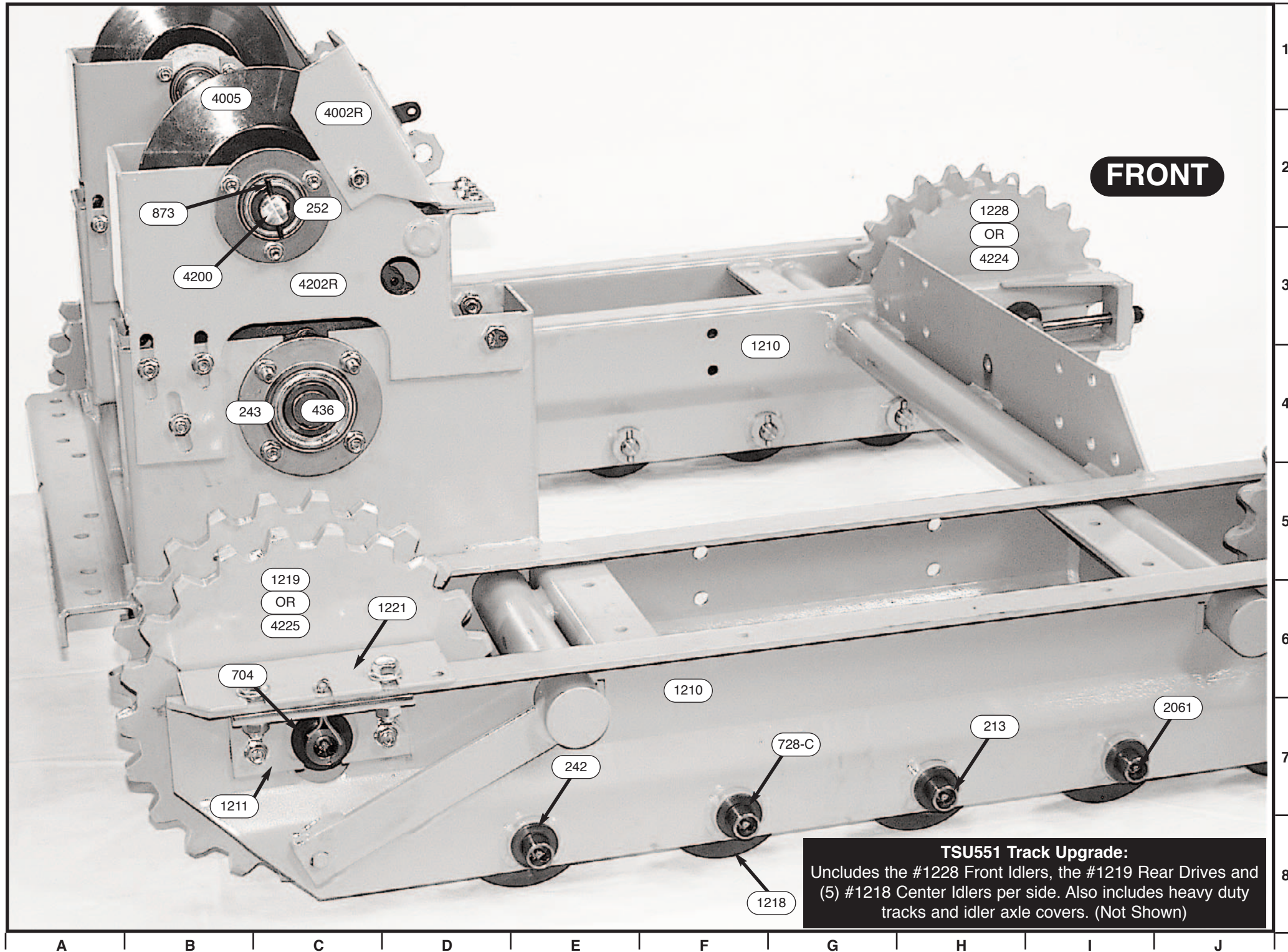


Photo MH-36 Magnatrac MH4900 Track - Right Outside View

Parts Identified

- 000213 Axle, idler
- 000242 Washer
- 000243 Bearing
- 000252 Bearing
- 000436 Shaft
- 000704 Washer
- 000728-C Snap Ring
- 000873 Roll Pin
- 001210 Lower Frame
- 001211 Axle Support
- 001218 Center Idlers
- 001219 Rear Drive, (TSU551)
- 001221 Guard
- 001228 Front Idler, (TSU551)
- 002061 Grease Zerk, 1/8" NPT
- 004002R Brake Mount, right
- 004005 Disk Drive
- 004200 Hub Shaft
- 004202R Motor Box, right
- 004224 Front Idler, (Standard)
- 004225 Rear Drive, (Standard)



TSU551 Track Upgrade:
Includes the #1228 Front Idlers, the #1219 Rear Drives and (5) #1218 Center Idlers per side. Also includes heavy duty tracks and idler axle covers. (Not Shown)

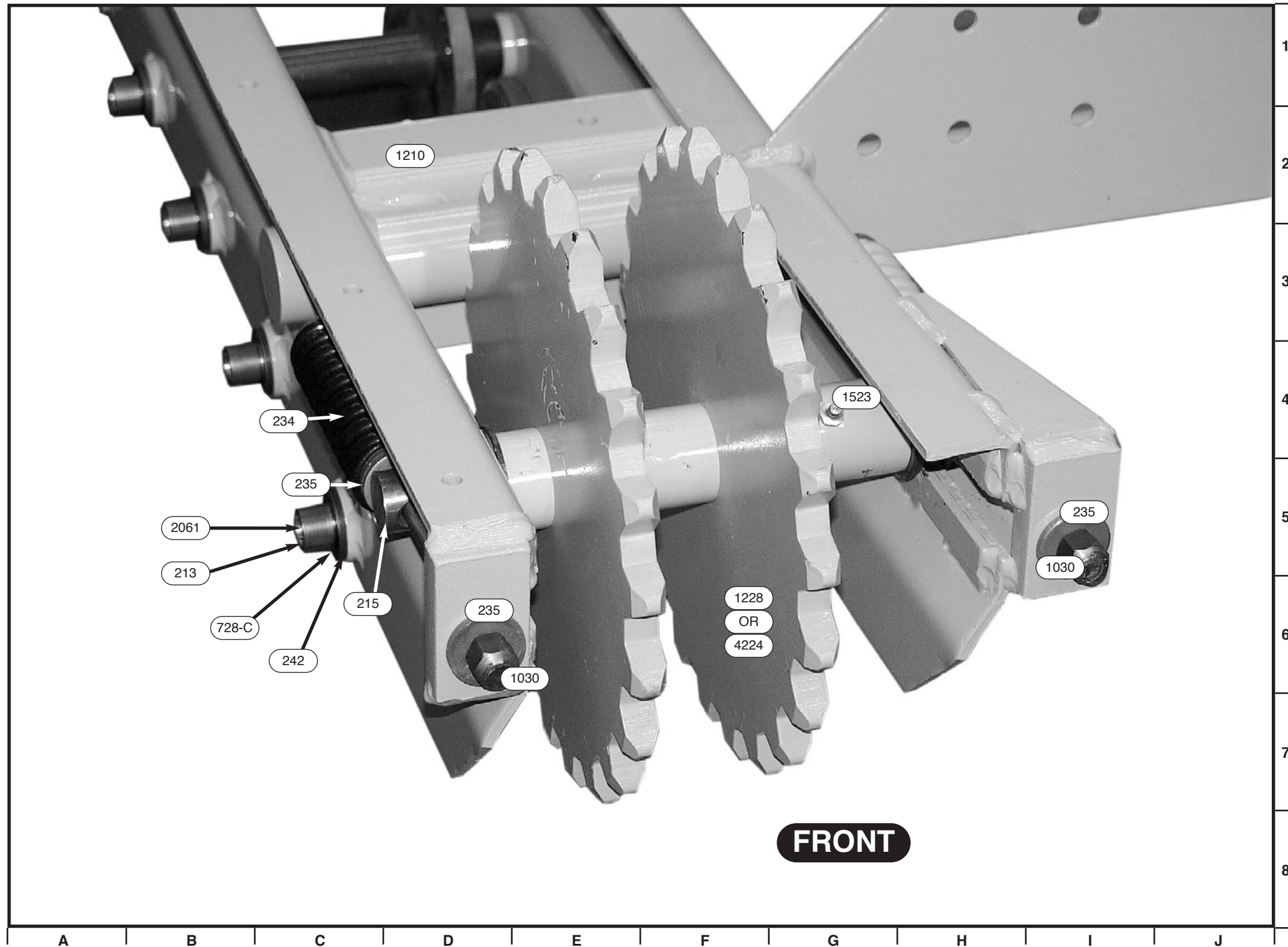
Photo MH-37

Magnatrac MH4900

Track - Right Front View

Parts Identified

- 000213 Axle, Idler Wheel
- 000215 Axle, Idler Sprocket
- 000234 Spring, Black
- 000235 Washer
- 000242 Washer
- 000728-C Snap Ring
- 001030 Tension Rod
- 001210 Lower Frame
- 001228 Front Idler, (TSU551)
- 001523 Grease Zerk, 45 Deg.
- 002061 Grease Zerk, 1/8" NPT
- 004224 Front Idler, (Standard)



FRONT

Photo MH-38

Magnatrac MH4900

Track - Right Side

View

Parts Identified

000215	Front Axle
000234	Spring, outer-black
000235	Washer (4)
000242	Washer
000262	Tube
000705	Washer
000727	Snap Ring, coiled, 1 3/16"
000728-C	Snap Ring, coiled, 7/8"
001030	Tension Rod
001210	Lower Frame
001218	Center Idlers
001228	Front Idler, (TSU551)
002061	Grease Zerk, 1/8" NPT
004224	Front Idler, (Standard)

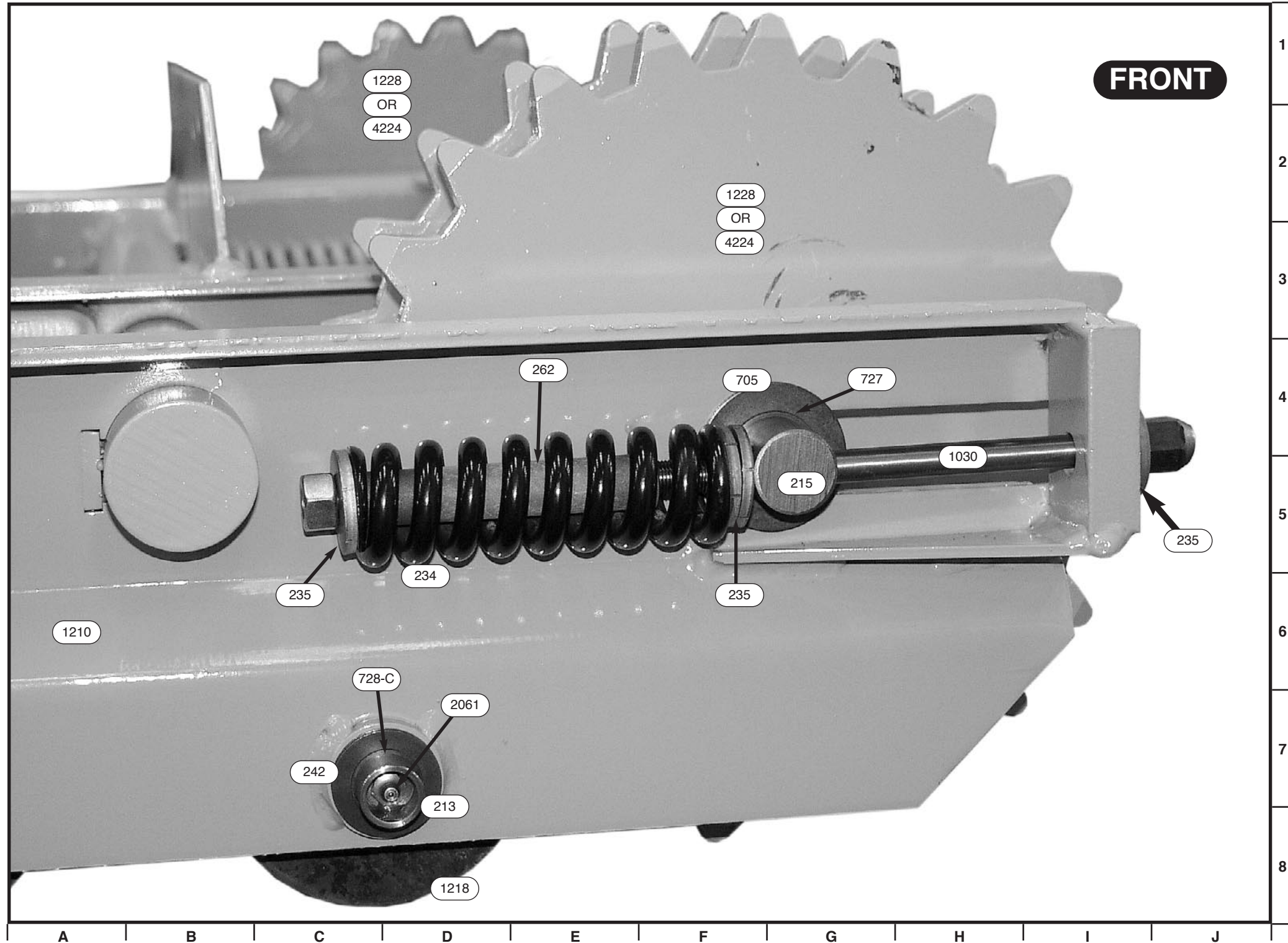


Photo MH-39

Magnatrac MH4900

Track - Right Rear View

Parts Identified

- 000213 Axle, idler
- 000214 Rear Axle
- 000227 Knurled Washer
- 000232 Shim
- 000242 Washer
- 000722 Guard
- 001210 Lower Frame
- 001211 Axle support
- 001212R Chain Guard, right
- 001218 Idler
- 001219 Rear Drive, (TSU551)
- 001221 Guard
- 001228 Front Idler, (TSU551)
- 004202R Motor Box, right
- 004224 Front Idler, (Standard)
- 004225 Rear Drive, (Standard)

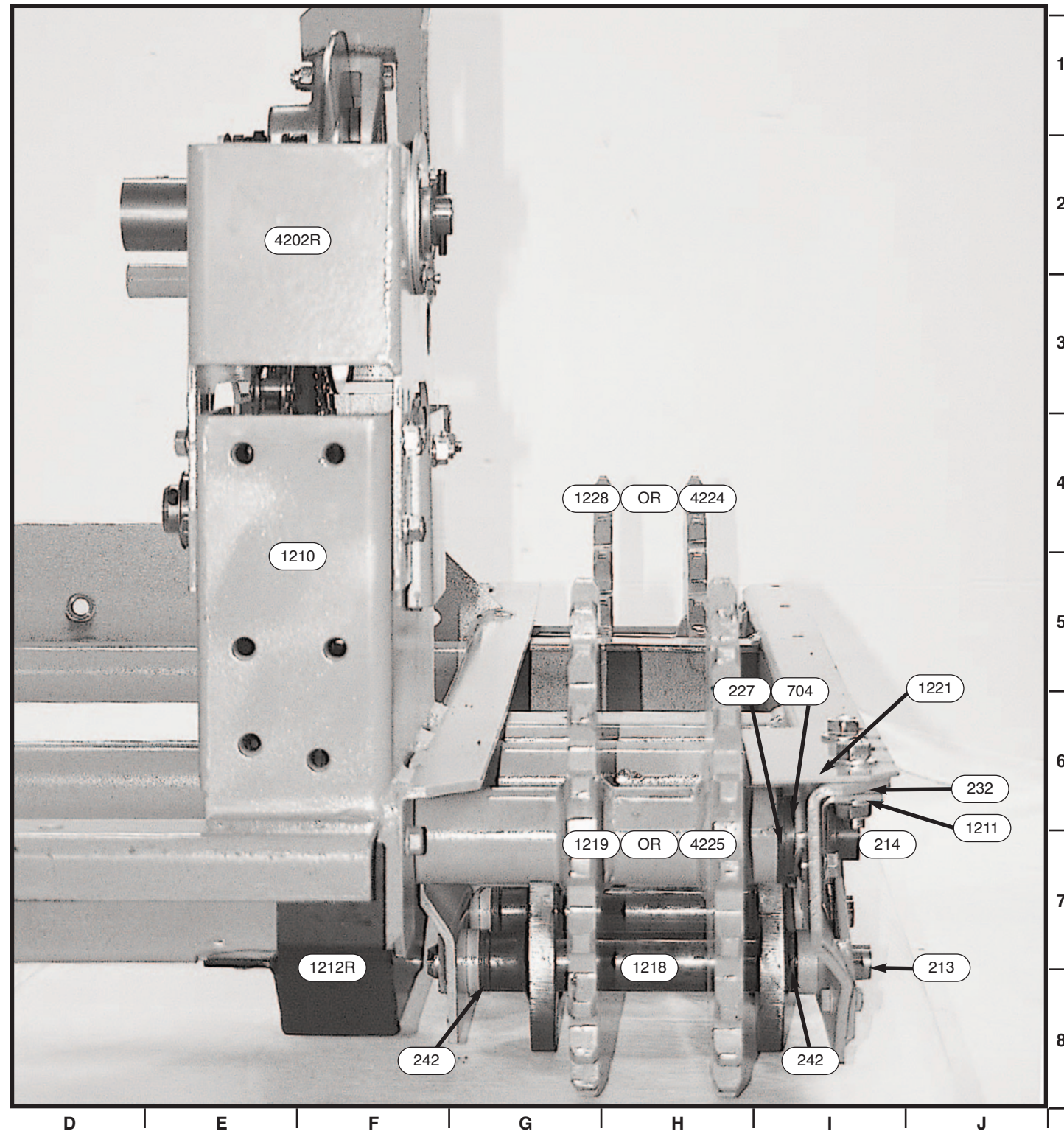


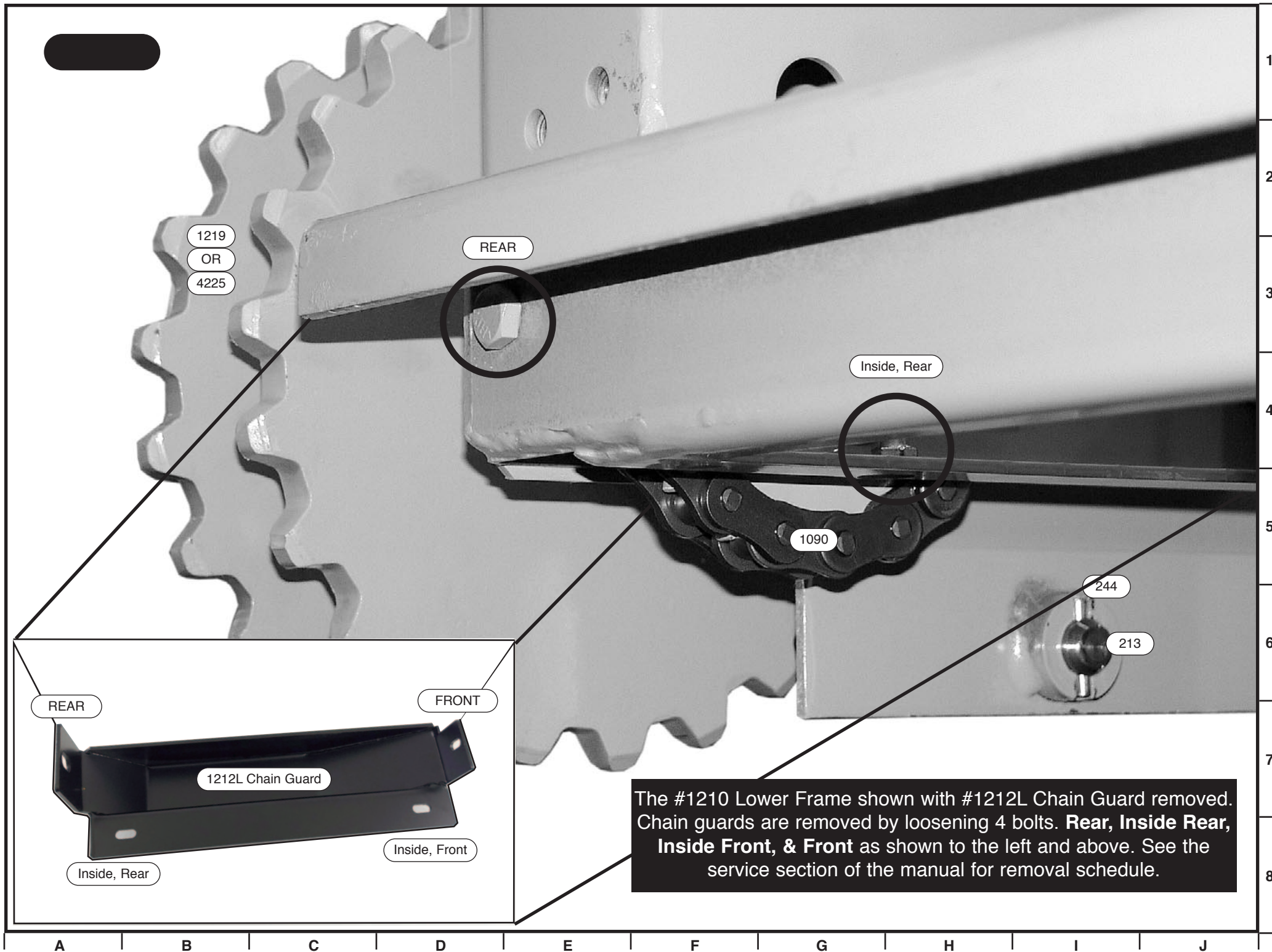
Photo MH-40

Magnatrac MH4900

Track - Left Inside View

Parts Identified

- 000213 Axle, idler
- 000244 Spring Pin, 1/4" x 1 1/2"
- 001090 Chain, #80
- 001210 Lower Frame
- 001219 Rear Drive, (TSU551)
- 001212L Chain Guard, left
- 004225 Rear Drive, (Standard)



The #1210 Lower Frame shown with #1212L Chain Guard removed. Chain guards are removed by loosening 4 bolts. **Rear, Inside Rear, Inside Front, & Front** as shown to the left and above. See the service section of the manual for removal schedule.